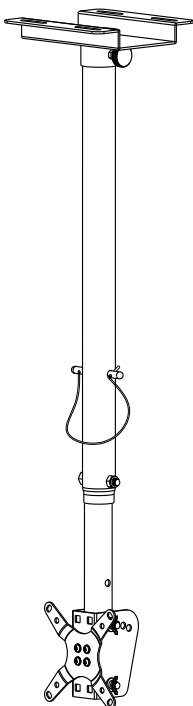


Installation Instruction



UNPACKING INSTRUCTIONS

- Carefully open the carton, remove contents and lay out on cardboard or other protective surface to avoid damage.
- Check package contents against the Supplied Parts List in the next page to assure that all components were received undamaged. Do not use damaged or defective parts.
- Carefully read all instructions before attempting installation.

IMPORTANT SAFETY INFORMATION

Install and operate this device with care. Please read this instruction before beginning the installation, and carefully follow all instructions contained herein. Use proper safety equipment during installation.

Please call a qualified installation contractor for help if you:

- If you don't understand these directions or have any doubts about the safety of the installation.
- If you are uncertain about the nature of your wall, consult a qualified installation contractor.

Do not use this product for any purpose or in any configuration not explicitly specified in this instruction. We hereby disclaims any and all liability for injury or damage arising from incorrect assembly, incorrect mounting, or incorrect use of this product.



WARNING

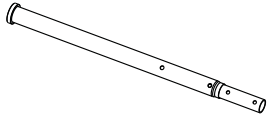
CAUTION!

This TV mount must be securely attached to the ceiling. If the mount is not properly installed it may fall, resulting in possible injury and/or damage.

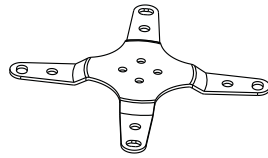
Tools Required	■ 5/32"(4mm) Drill Bit	■ 3/5"(10mm) Masonry Bit	■ Wrench or Socket Set
	■ Phillips Screwdriver	■ Stud Finder	■ Carpenter's Level

Note: The mounting components and hardware supplied in this package are not designed for installations to ceilings with steel studs. If the hardware you need for your installation is not included, please consult your local hardware store for proper mounting hardware for the application.

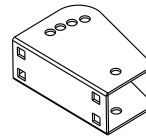
Supplied Parts List



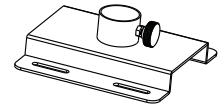
(1) Tube Set-a



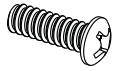
(1) Monitor Bracket-b



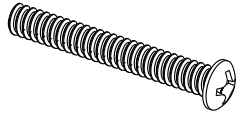
(1) Connection Part-c



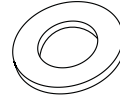
(1) Ceiling Plate-d



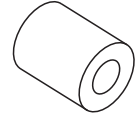
(4) M4x12 Bolt-e



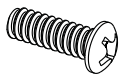
(4) M4x30 Bolt-f



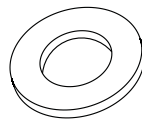
(8) M4 Washer-g



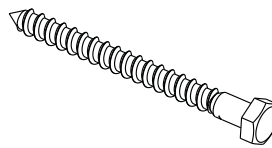
(4) M4 Space-h



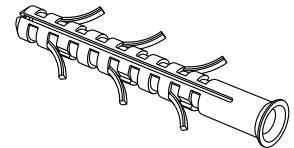
(4) M5x10 Bolt-i



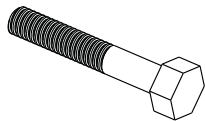
(8) M8 Washer-j



(4) M8x90 Lag Bolt-k



(4) M10x80 Concrete Anchor-l



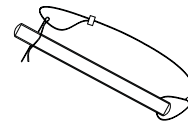
(3) Long Bolt-m



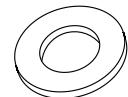
(1) Nut-n



(2) Butterfly Nut-o



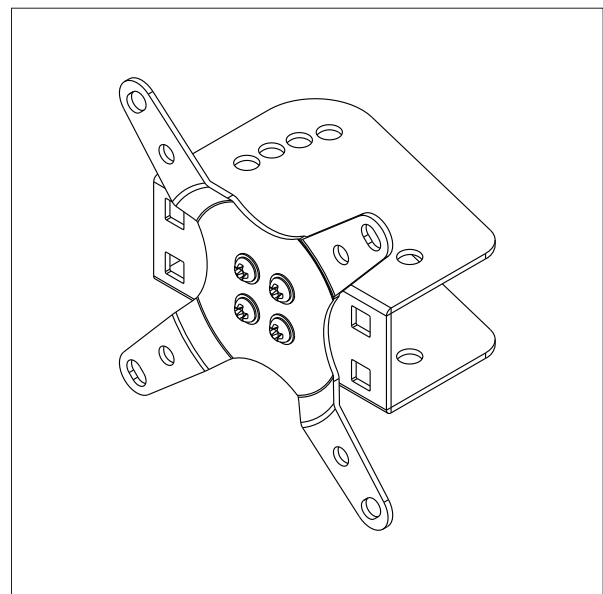
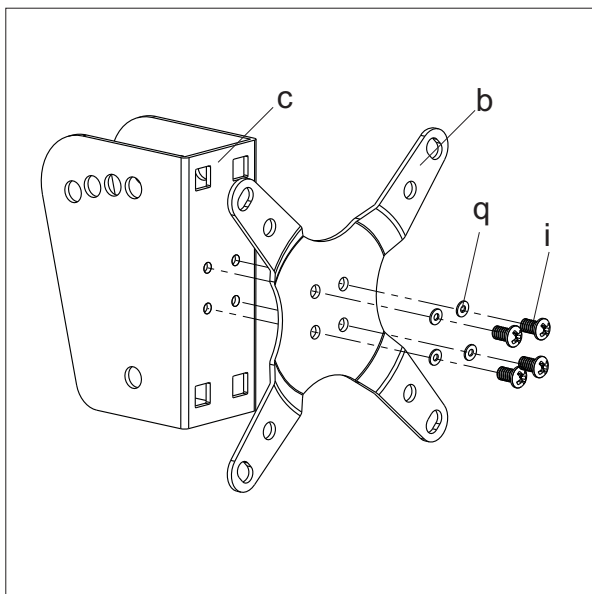
(1) Security Loop-p



(4) M5 Washer-q

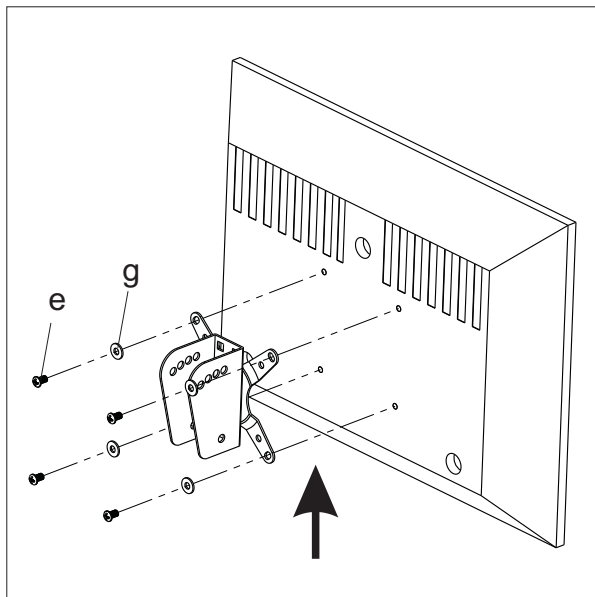
Step 1

Connecting the Monitor Bracket and Connection Part

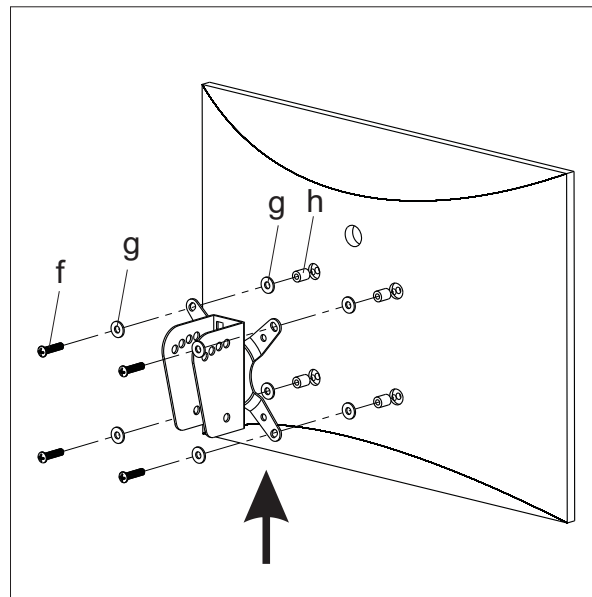


Step 2

Mounting the Monitor Bracket to a TV



For Flat Back TV



For Curved Back TV

Step 3

Insert the Tube Set to Ceiling Plate and Fix the Tube Set

Step 3A: Find the Tube Set(a) from box and pass through the middle hole of Ceiling Plate(d), see Diagram 3A.

Step 3B: Determine the extension height you want for the Tube Set(a), make sure two holes of each tube are leveled one by one. Use the Long Bolt(m) and Nut(n) to fix the bottom hole and use the Security Loop(p) to fix the top hole, see Diagram 3B. Then fasten the knob on the Ceiling Plate to reduce the gap between the connection.

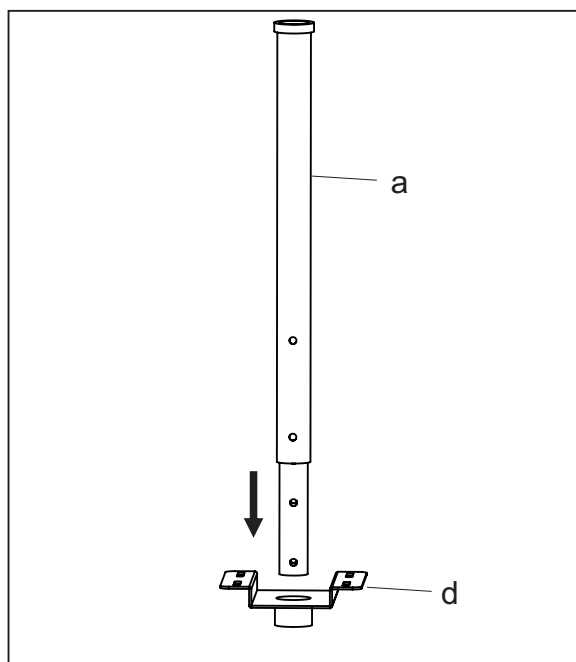


Diagram 3A

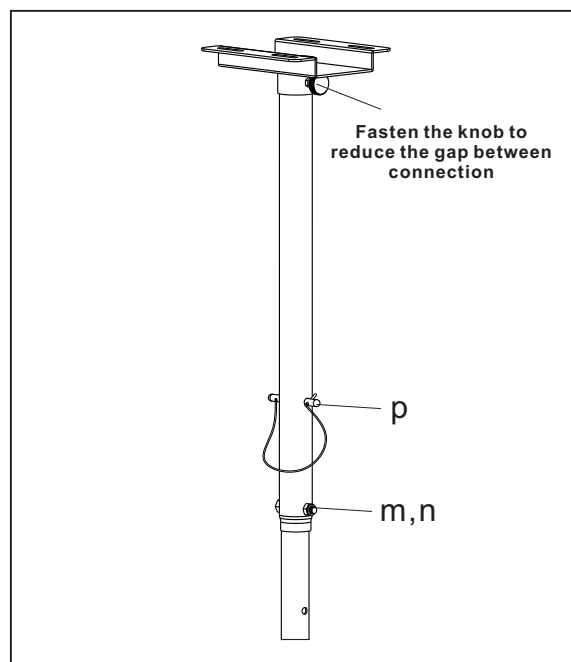


Diagram 3B

Step 4

Mounting the Ceiling Plate to the Ceiling

Use the Ceiling Plate(d) as a template to mark 4 hole locations on the ceiling. Pre-Drill these holes with a 3/8"(10mm) masonry bit to at least 3"(75mm) in depth. Insert a Concrete Anchor(l) into each of these holes. Make sure the anchor is seated completely flush with the concrete surface even if there is a layer of drywall or other material in front. Attach the Wall Plate to the wall using 4pcs Lag Bolts(k) and 4pcs M8 Washer(j), see Diagram 4.

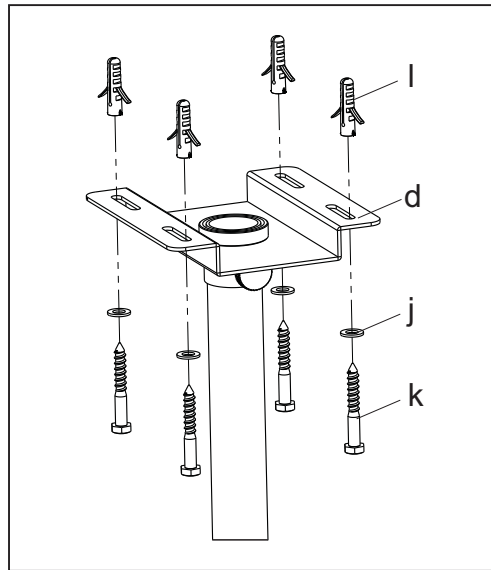


Diagram 4

Step 5

Connecting the Tube to Connection Part

Determine the angle you want to tilt for the Tv and Connect the bottom of Tube Set(a) to the Connection Part(c) using 2pcs Long Bolt(m), 2pcs Butterfly Nut(o) and 4pcs M8 Washer(j), see Diagram 5.

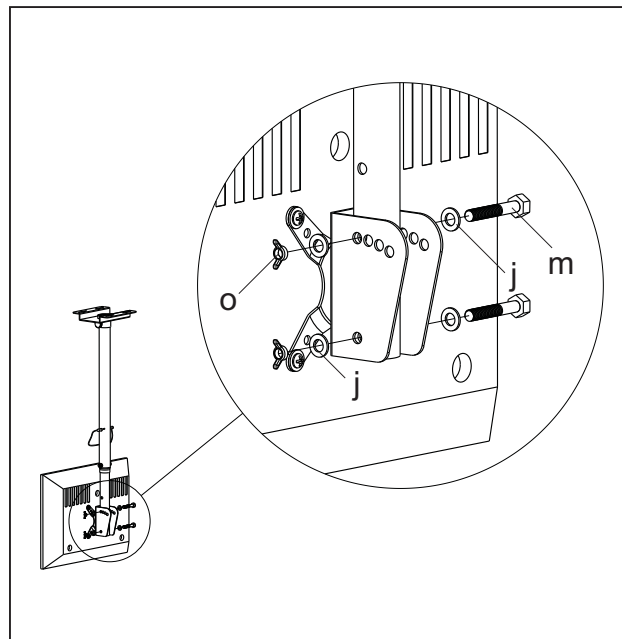


Diagram 5

Thanks for choosing our products, enjoy the using.