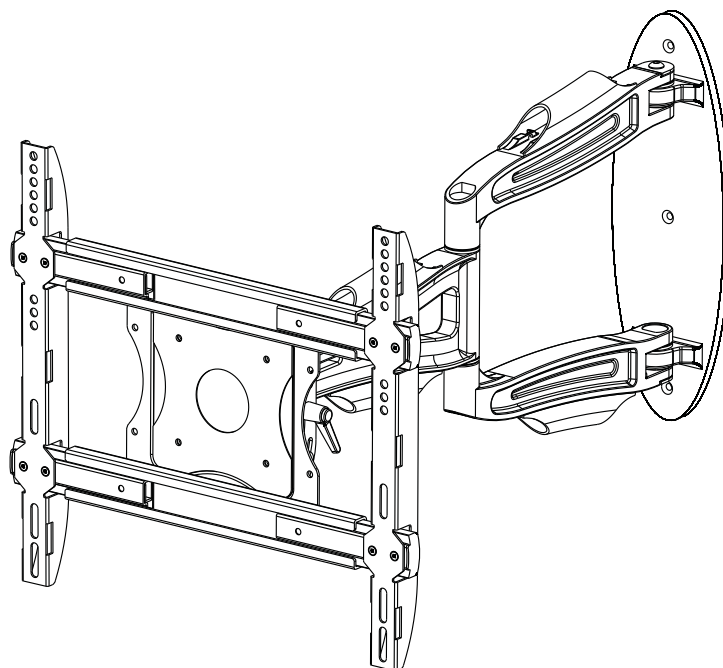


# Installation Instruction



## UNPACKING INSTRUCTIONS

- Carefully open the carton, remove contents and lay out on cardboard or other protective surface to avoid damage.
- Check package contents against the Supplied Parts List in the next page to assure that all components were received undamaged. Do not use damaged or defective parts.
- Carefully read all instructions before attempting installation.

## IMPORTANT SAFETY INFORMATION

Install and operate this device with care. Please read this instruction before beginning the installation, and carefully follow all instructions contained herein. Use proper safety equipment during installation.

Please call a qualified installation contractor for help if you:

- If you don't understand these directions or have any doubts about the safety of the installation.
- If you are uncertain about the nature of your wall, consult a qualified installation contractor.

Do not use this product for any purpose or in any configuration not explicitly specified in this instruction. We hereby disclaim any and all liability for injury or damage arising from incorrect assembly, incorrect mounting, or incorrect use of this product.



**WARNING**

## CAUTION!

This TV mount must be securely attached to the vertical wall. If the mount is not properly installed it may fall, resulting in possible injury and/or damage.

### Tools Required

- |                        |                          |                        |
|------------------------|--------------------------|------------------------|
| ■ 5/32"(4mm) Drill Bit | ■ 3/8"(10mm) Masonry Bit | ■ Wrench or Socket Set |
| ■ Phillips Screwdriver | ■ Stud Finder            | ■ Carpenter's Level    |

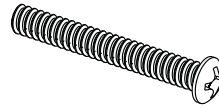
**Note:** The mounting components and hardware supplied in this package are not designed for installations to walls with steel studs or to cinder block walls. If the hardware you need for your installation is not included, please consult your local hardware store for proper mounting hardware for the application.

## Parts for Install Bracket to TV

A



M4x12 Bolt (x4)



M4x30 Bolt (x4)

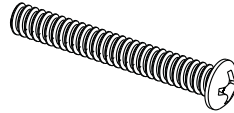


M4 Lock Washer (x4)

B



M5x12 Bolt (x4)



M5x30 Bolt (x4)

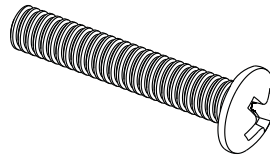


M5 Lock Washer (x4)

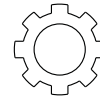
C



M6x12 Bolt (x4)

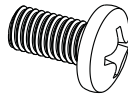


M6x35 Bolt (x4)

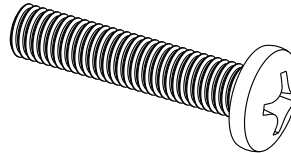


M6 Lock Washer (x4)

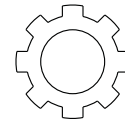
D



M8x12 Bolt (x4)

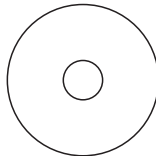


M8x35 Bolt (x4)

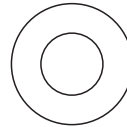


M8 Lock Washer (x4)

E

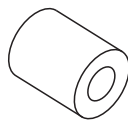


M4/M5 Washer (x8)

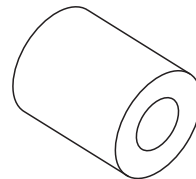


M6/M8 Washer (x4)

F



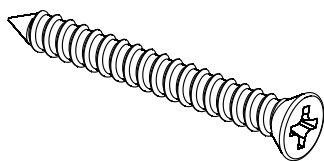
M4/M5 Space (x4)



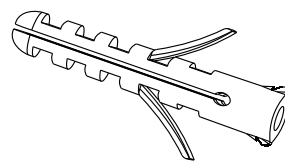
M6/M8 Space (x4)

## Parts for Install Bracket to Wall

G



M8x65 Lag Bolt (x3)



M10x60 Concrete Anchor (x3)

## Parts for Assemble the Bracket

H

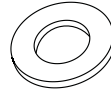


M4x8 Bolt (x8)

J

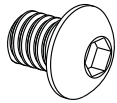


M8 Nut (x4)

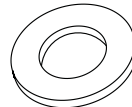


M8 Washer (x4)

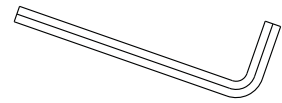
K



M8 x 10 Bolt (x4)



M8 Washer (x4)



Allen Key (x1)

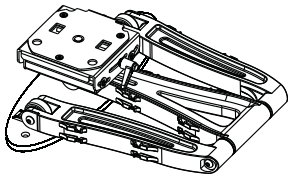
L



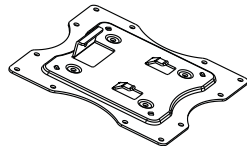
M5x10 Bolt (x1)



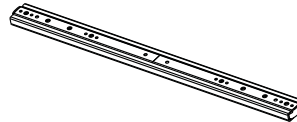
M5 Washer (x1)



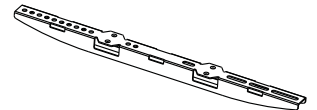
Wall Plate with  
Arm Assembled (x1)



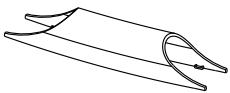
VESA 200 Plate (x1)



Extension Bar (x2)



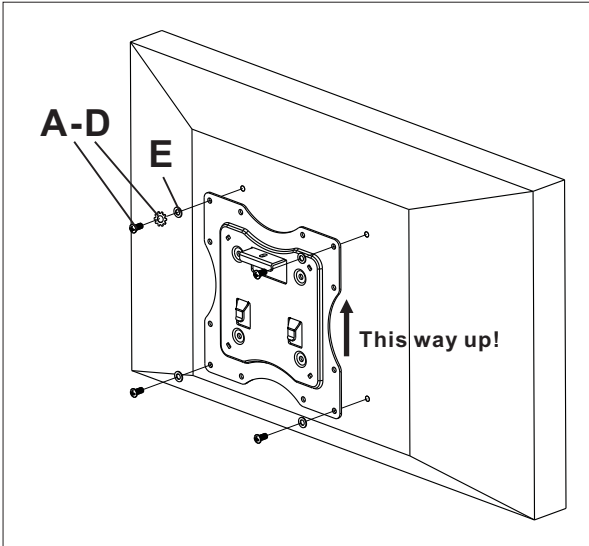
Monitor Bracket (x2)



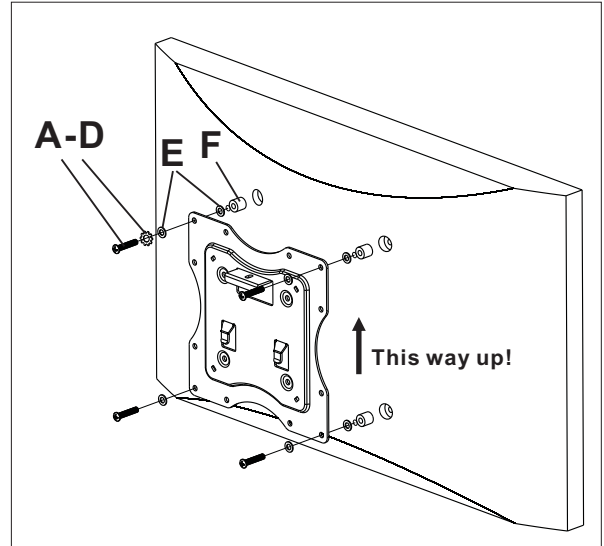
Cable Cover-a(x4)

**Step 1**

Mounting the VESA 200 Plate to a TV with VESA 100x100, 200x100 or 200x200 mounting pattern, skip this step for the TV up VESA 200x200



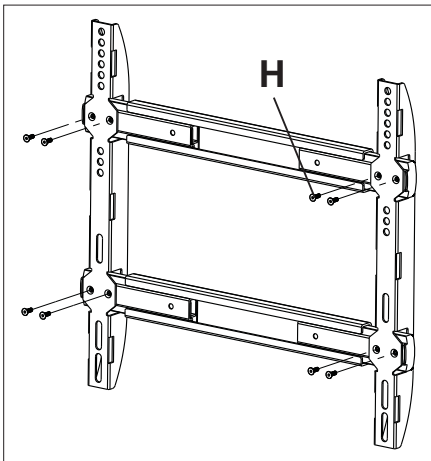
**For Flat Back TV**



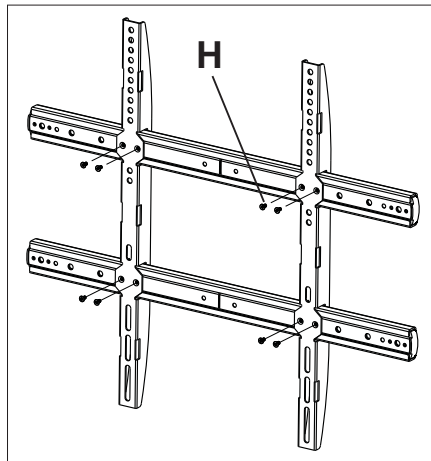
**For Curved Back TV**

**Step 2**

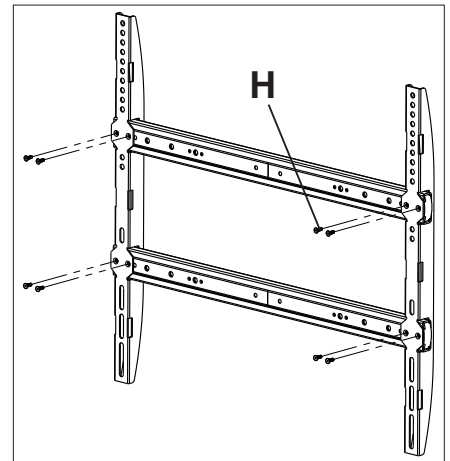
Install the Monitor Brackets to Extension Bars, please note there are two mounting positions of the large size bracket for different hole patterns



**“M” Size Bracket up to VESA 400 x 400**



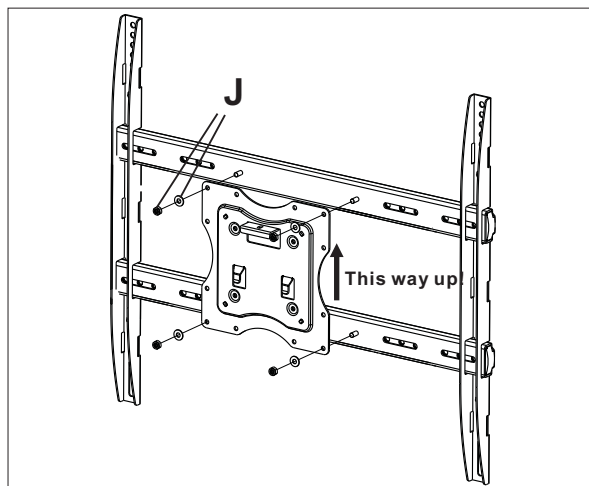
**“L” Size Bracket up to VESA 600 x 500**



**“L” Size Bracket up to VESA 900 x 500**

**Step 3**

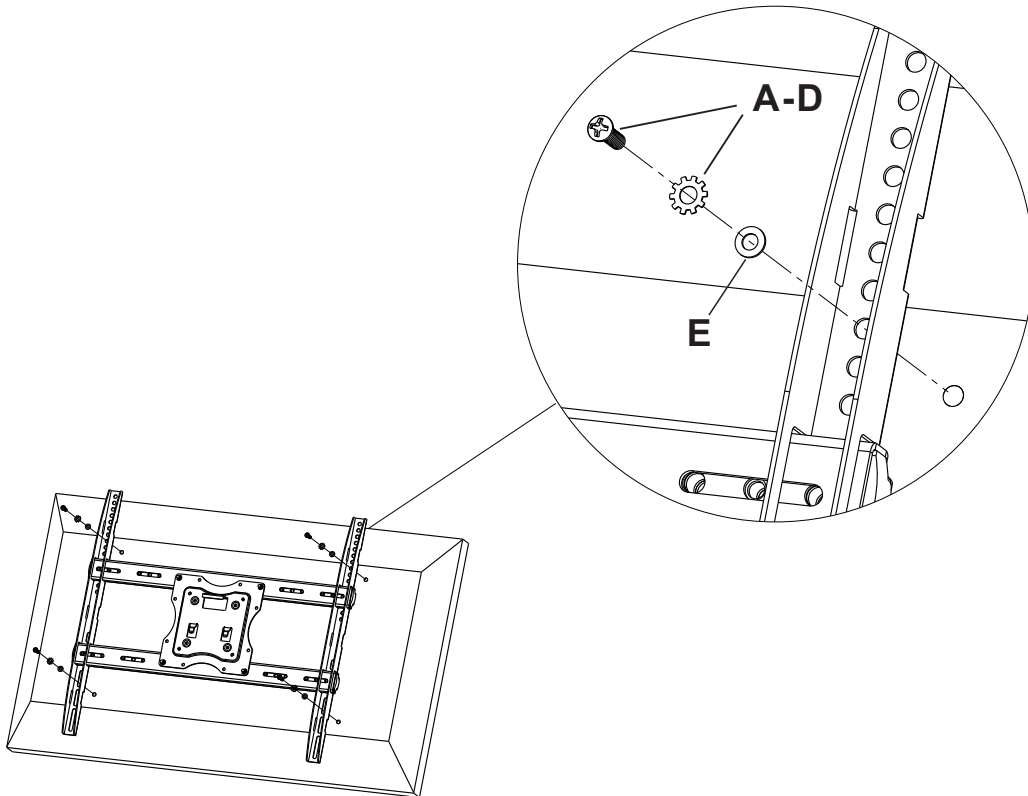
Install the VESA 200 Plate to Bracket



## Step 4A

### Mounting the Monitor Brackets to a TV with Flat Back

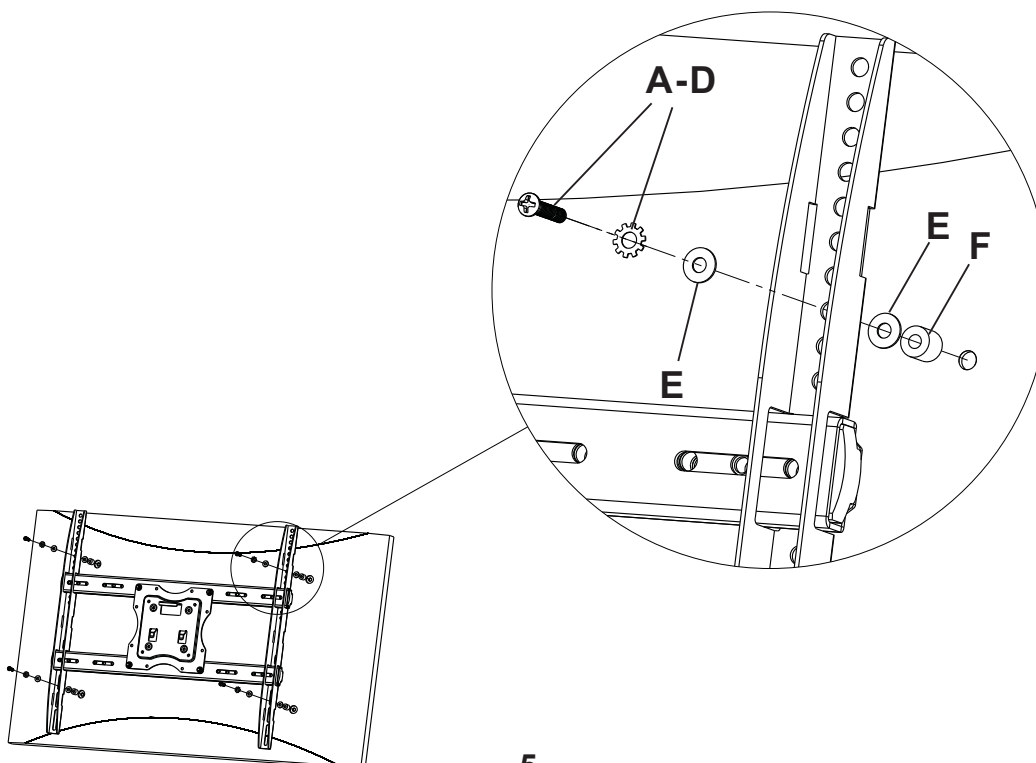
First of all, make sure the diameter of the Bolt(A-D) your TV requires. Once you have determined the correct diameter, please see the relative diagram as below. You will thread the Bolt into the TV using the correct Lock Washer(A-D) and Washer(E). Please make sure the Monitor Brackets are vertically centered and level with each other.



## Step 4B

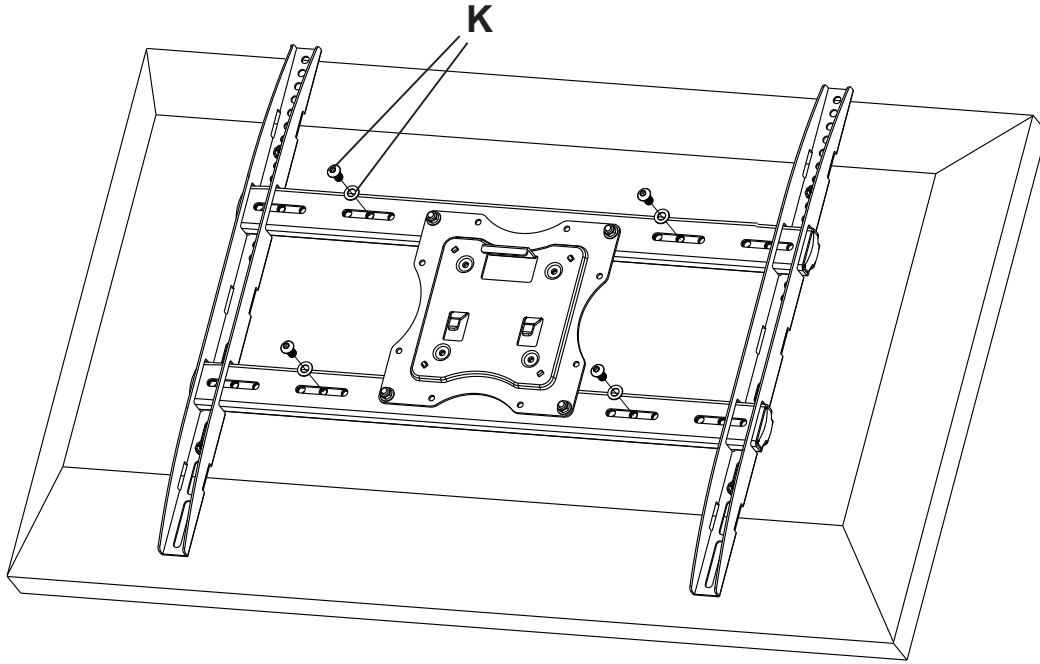
### Mounting the Monitor Brackets to a TV with Curved Back

First of all, make sure the diameter of the Bolt(A-D) your TV requires. Once you have determined the correct diameter, please see the relative diagram as below. You will thread the Bolt into the TV using the correct Lock Washer(A-D), Washer(E) and spacer(F). For the M4 or M5 diameter bolt, you will need another M4/M5 Washer between the Monitor Bracket and the Spacer. Please make sure the Monitor Brackets are vertically centered and level with each other.



**Step 5**

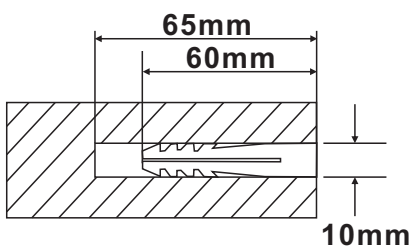
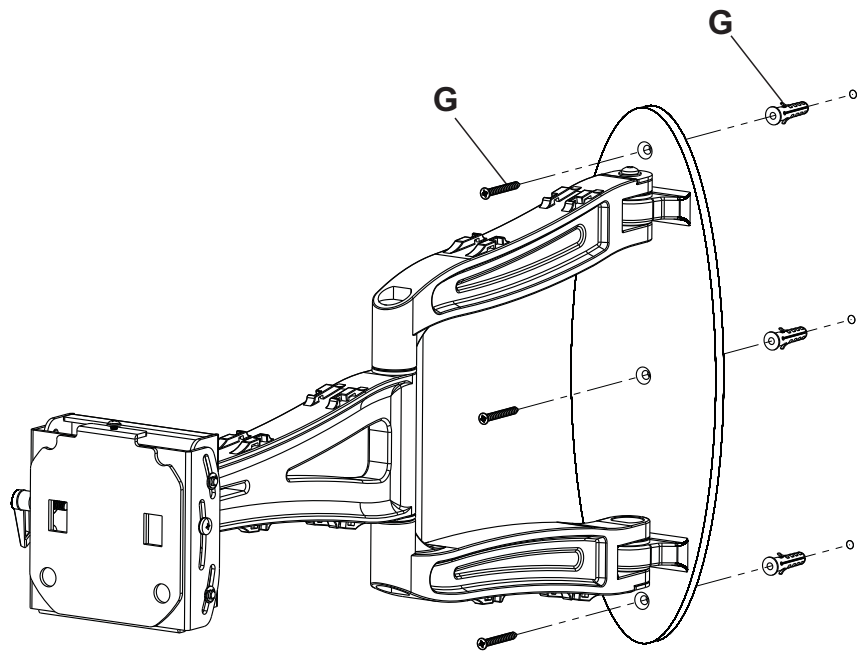
Fasten the Extension Bar by four bolts after install the Monitor Bracket on the back of TV, using the Allen Key provided



**Step 6**

Mounting the Wall Plate to the Wall

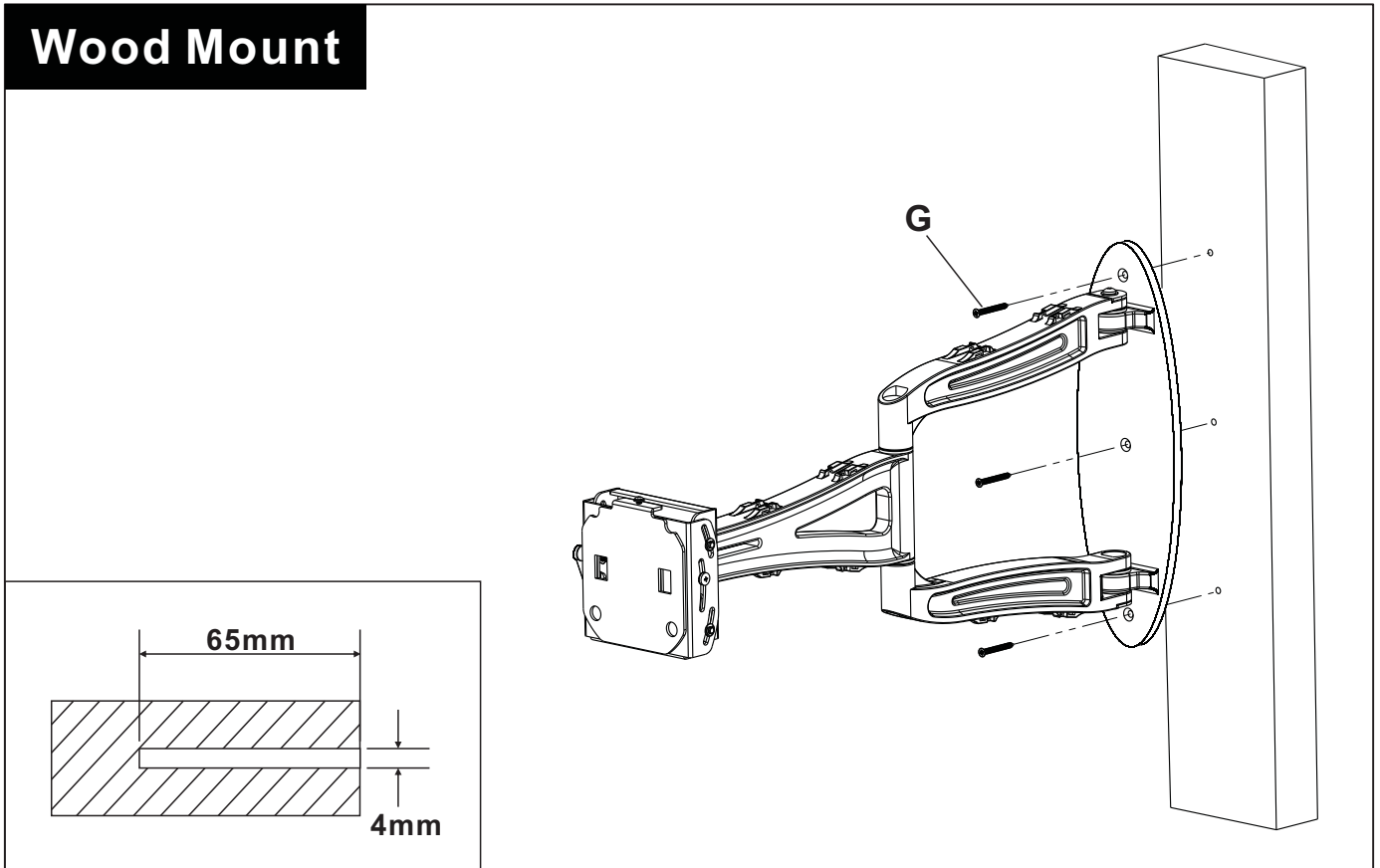
**Brick Mount**



**Step 6**

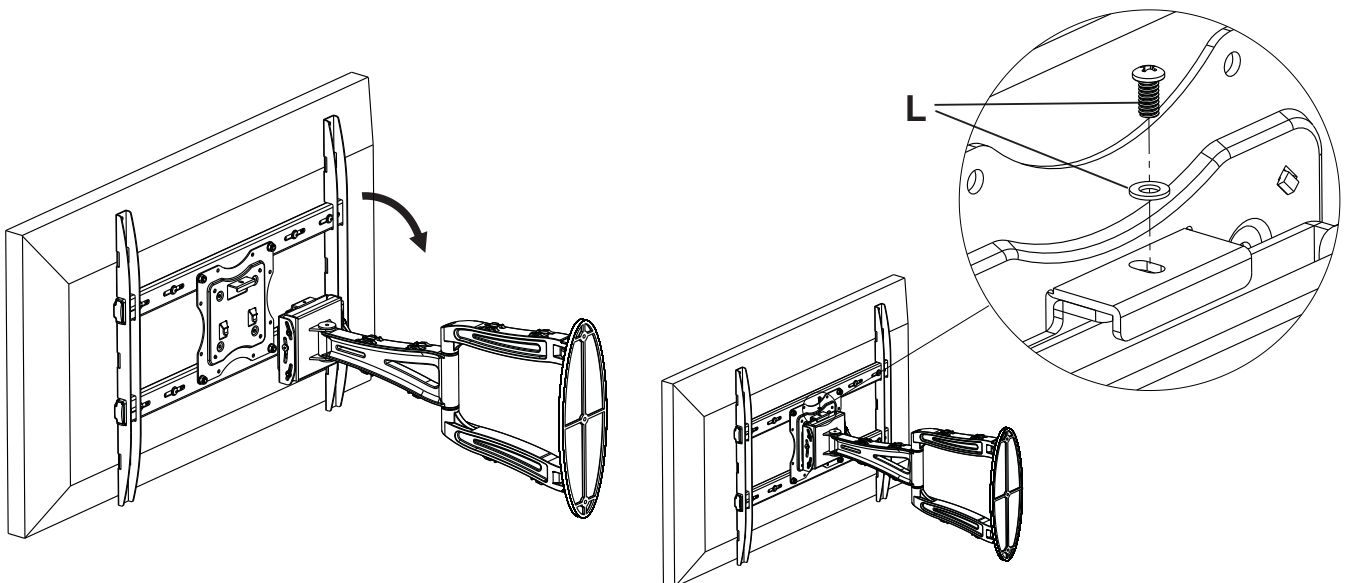
**Mounting the Wall Plate to the Wall**

**Wood Mount**



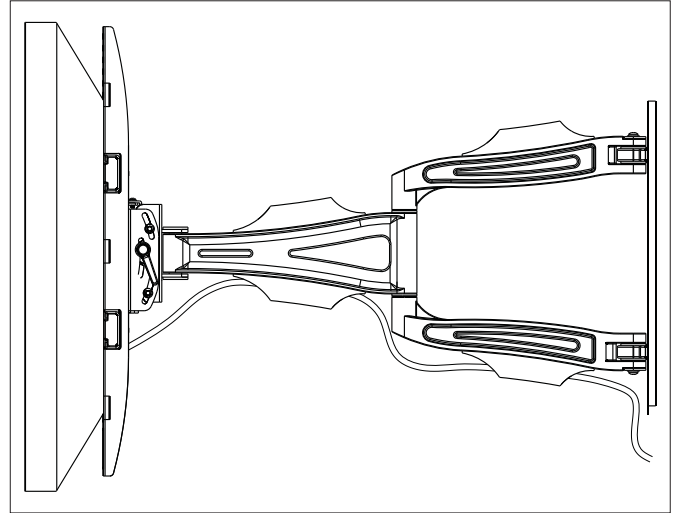
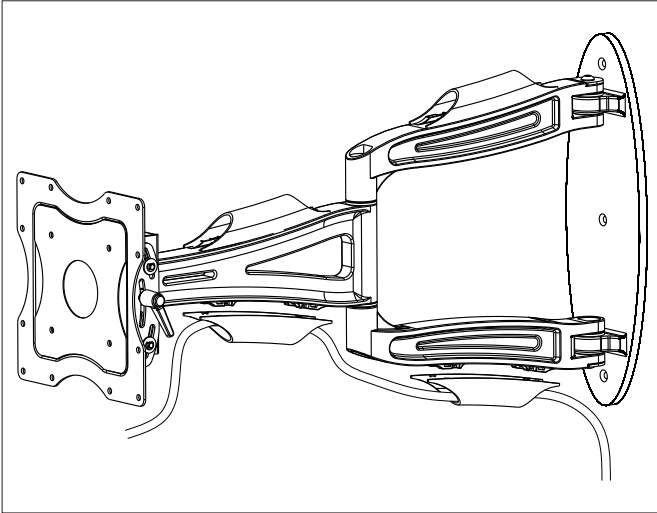
**Step 7**

**Attaching TV to Arm Assembled and Adding the Safety Bolt**



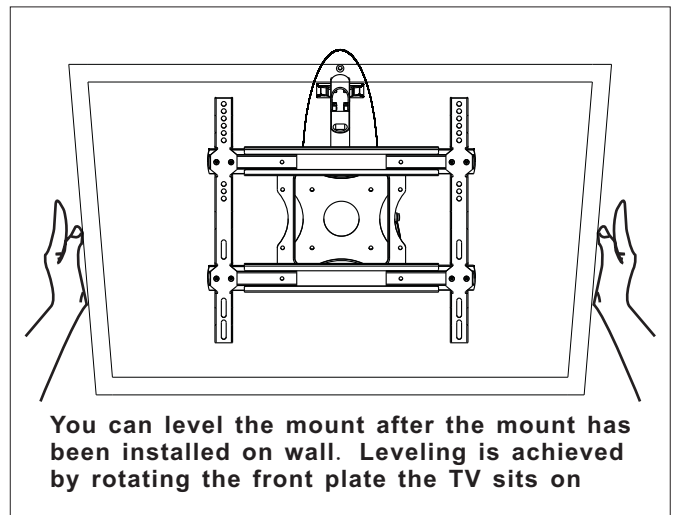
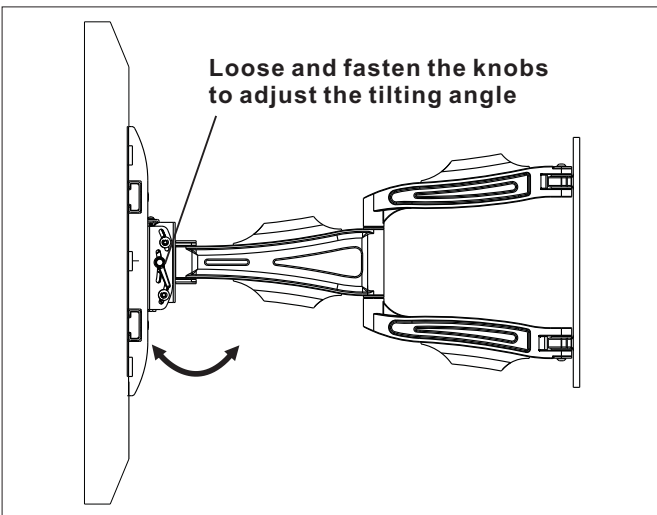
**Step 8**

Install the Cable Covers and guide the cables



**Step 9**

Tilting the TV for the best view angle and adjust the level by build-in screen level adjustment system



**Thanks for choosing our products, enjoy the using.**