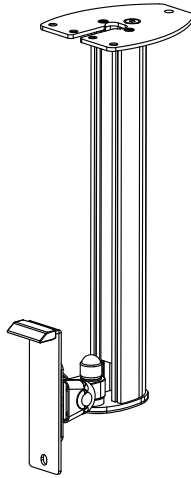


Installation Instruction



UNPACKING INSTRUCTIONS

- Carefully open the carton, remove contents and lay out on cardboard or other protective surface to avoid damage.
- Check package contents against the Supplied Parts List in the next page to assure that all components were received undamaged. Do not use damaged or defective parts.
- Carefully read all instructions before attempting installation.

IMPORTANT SAFETY INFORMATION

Install and operate this device with care. Please read this instruction before beginning the installation, and carefully follow all instructions contained herein. Use proper safety equipment during installation.

Please call a qualified installation contractor for help if you:

- If you don't understand these directions or have any doubts about the safety of the installation.
- If you are uncertain about the nature of your wall, consult a qualified installation contractor.

Do not use this product for any purpose or in any configuration not explicitly specified in this instruction. We hereby disclaim any and all liability for injury or damage arising from incorrect assembly, incorrect mounting, or incorrect use of this product.



WARNING

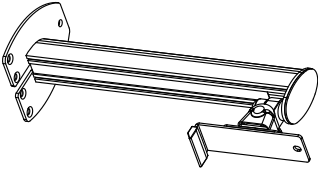
CAUTION!

This Speaker Bracket must be securely attached to the ceiling. If the mount is not properly installed it may fall, resulting in possible injury and/or damage.

Tools Required	■ 3.8mm Drill Bit	■ 8mm Masonry Bit	■ Phillips Screwdriver
-----------------------	--------------------------	--------------------------	-------------------------------

Note: The mounting components and hardware supplied in this package are not designed for installations to ceilings with steel studs or to cinder block ceilings. If the hardware you need for your installation is not included, please consult your local hardware store for proper mounting hardware for the application.

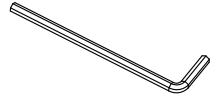
Supplied Parts List



(1)Speaker Bracket-a



(1)M6X10 Bolt-b



(1)Allen Key-c



(3)M6x45mm
Lag Bolt-d



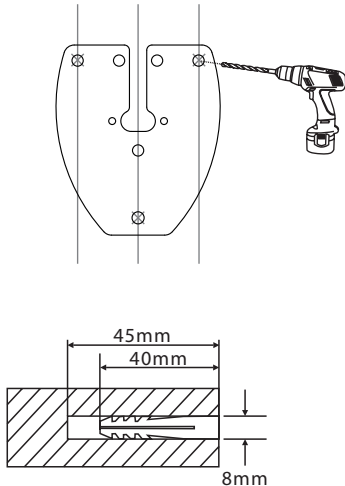
(3)M8x40mm
Concrete Anchor-e

Step 1

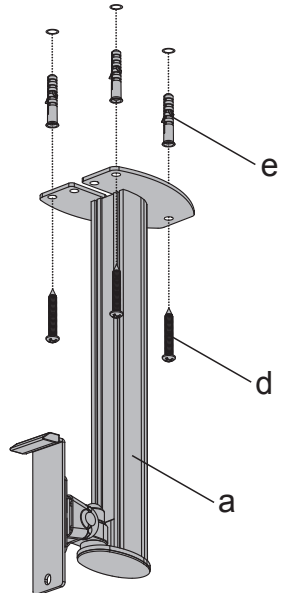
Mounting the Speaker Bracket to the Ceiling

Brick or Concrete Ceiling

1.1



1.2

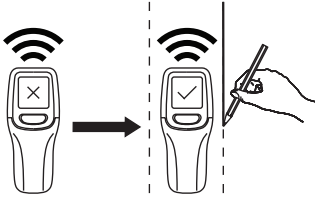


Step 1

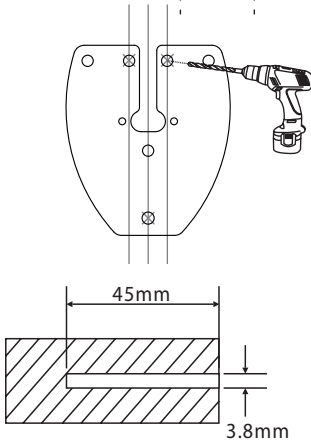
Mounting the Speaker Bracket to the Ceiling

Wood Studs Ceiling

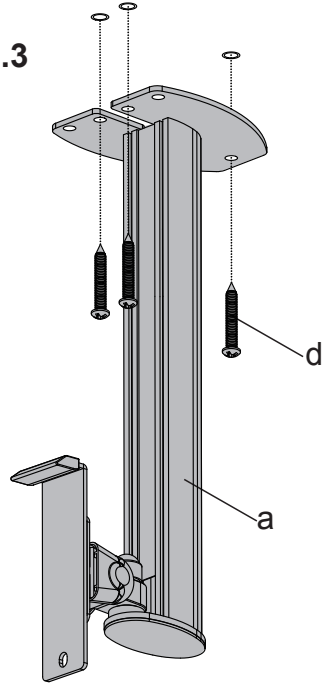
1.1



1.2

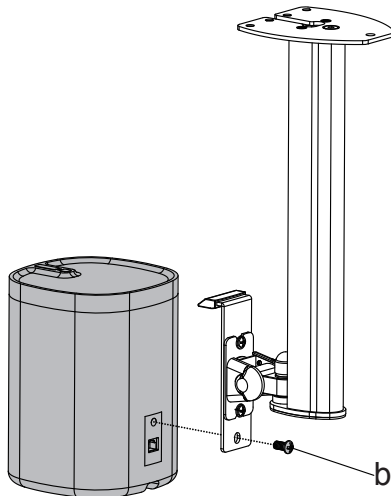


1.3



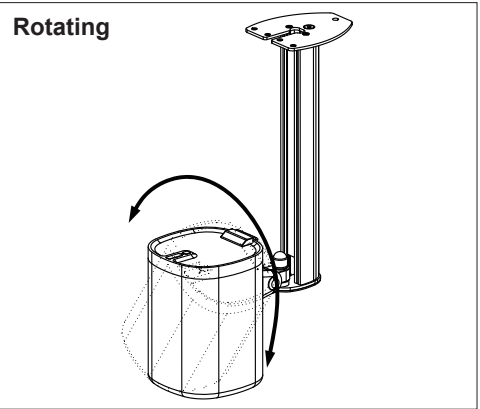
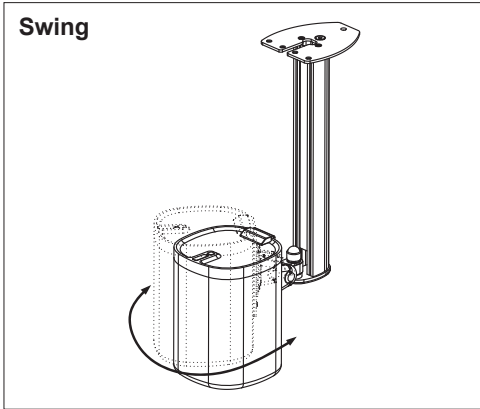
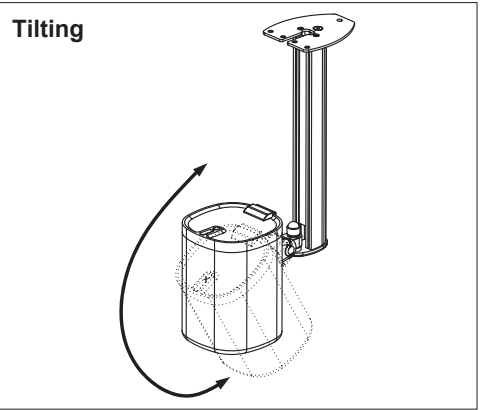
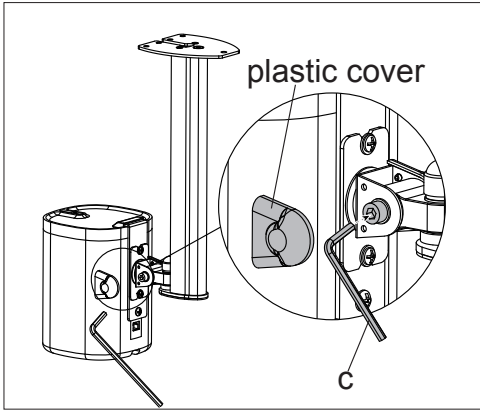
Step 2

Install the SONOS PLAY 1 to the Speaker Bracket



Step 3

Tilting, Swing and Rotating the SONOS PLAY 1



Step 4

Manage the Wires

