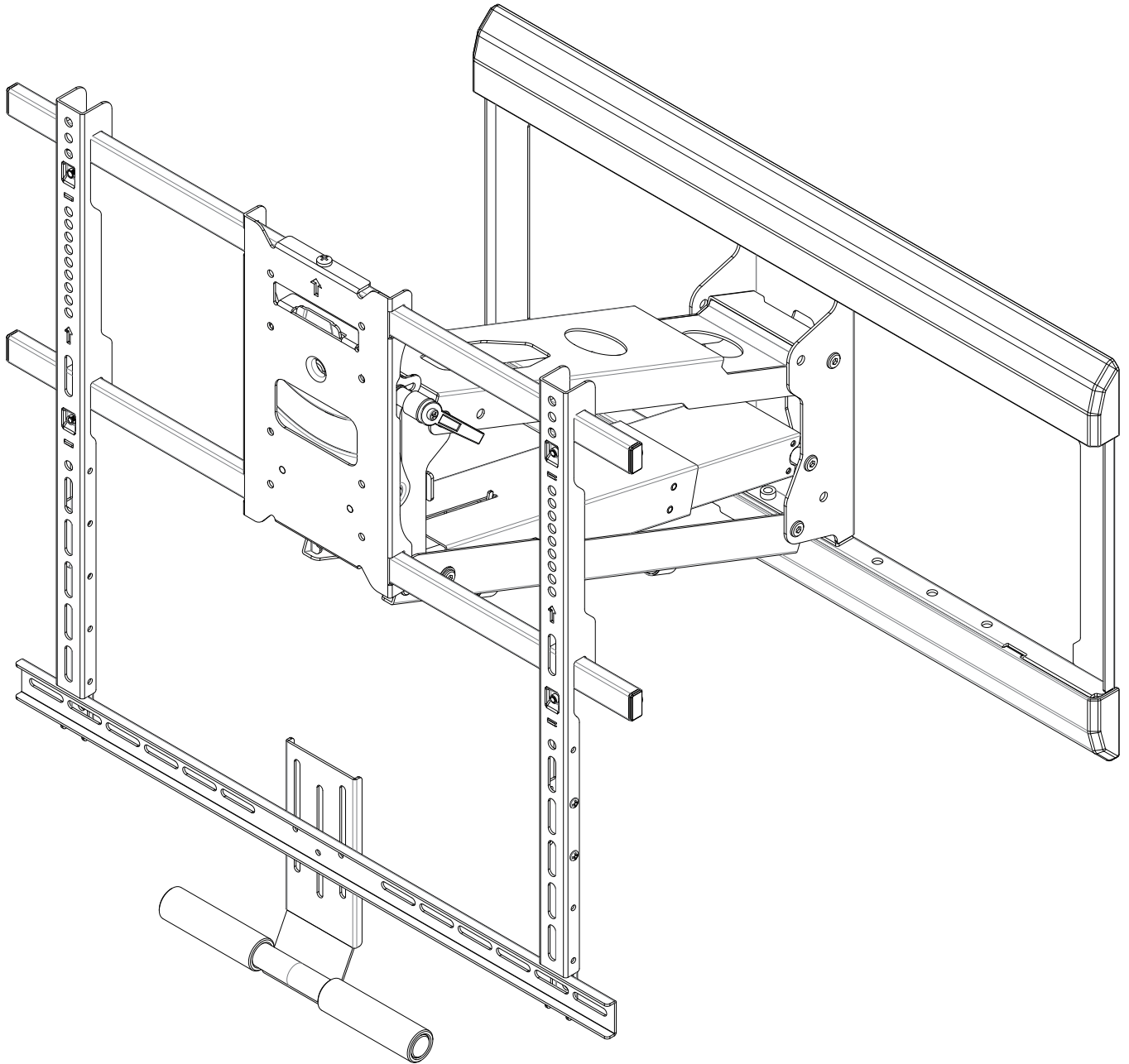


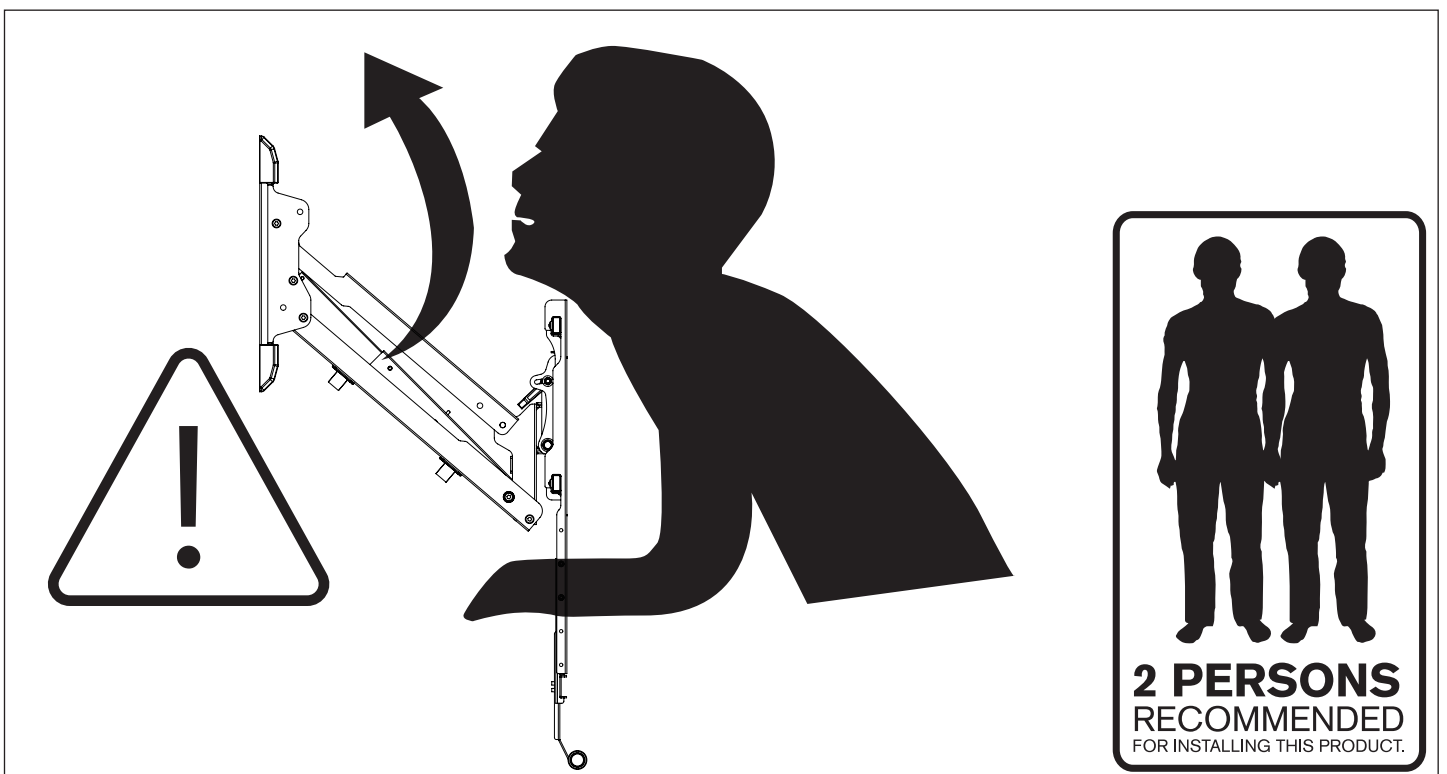
# Above Fireplace Pull-Down Full-Motion TV Wall Mount



User's Manual

## ⚠ WARNING

- The maximum temperature at the front of the fireplace mantle should never be more than 100°F (37.8°C).
- The fireplace mantle should not extend more than 12”(304mm) from the mounting surface.
- This mount can support displays weighing between 17.6~55lbs(8~25kg).
- The mounting surface should be a wood stud frame wall with studs spaced no more than 24”(609mm) apart ; The wall must not exceed 5/8”(16mm) thick.
- Ensure that the mounting surface is capable of supporting the combined weight of the mount and any mounted display.
- This mount should only be installed by persons with a basic knowledge of building construction and installations.
- This bracket should only be installed by two people. Do not attempt to install it by yourself.
- If mounting to a wall of wood stud construction, ensure that mounting bolts are anchored in the center of the studs. When installing the TV mount on a concrete wall, the wall must be at least 8.0" (203mm) thick with a minimum compressive strength from 2500 to 3000 psi (17.2 to 20.7 Mpa) and must meet the ASTM C39 specification. When installing the TV mount on a cinder block wall, the cinder blocks must meet the ASTM C216 specifications and have a minimum nominal width of 8.0" (203mm). Be sure to mount it in a solid part of the block, generally 1" (25mm) minimum from the side of the block. Do not drill into mortar joints! If plaster/dry wall is thicker than 5/8" (16mm), custom fasteners must be supplied by the installer. Note that hardware and instructions are provided for installation to wood stud walls only.



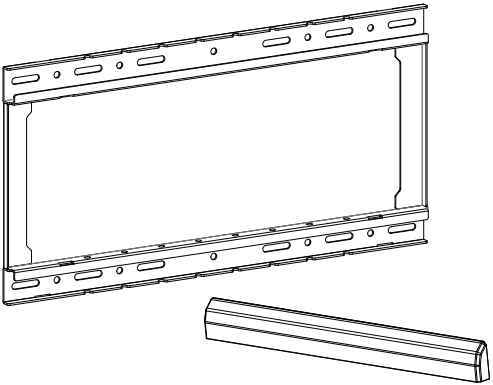
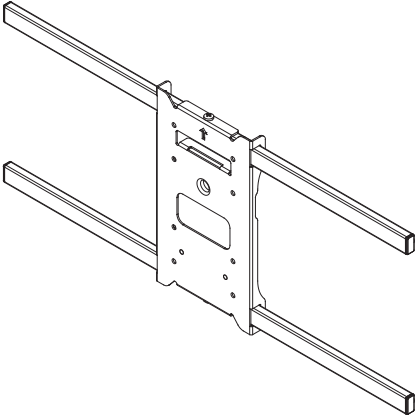
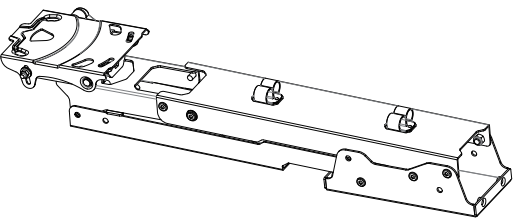
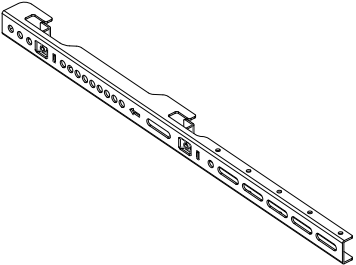
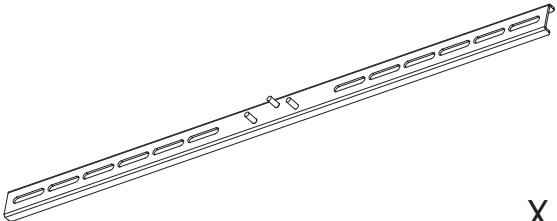
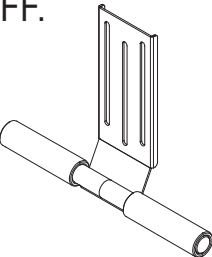
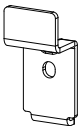
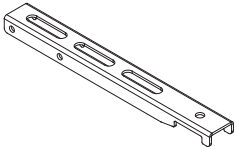
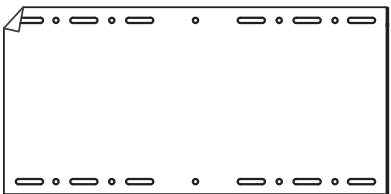
# INTRODUCTION

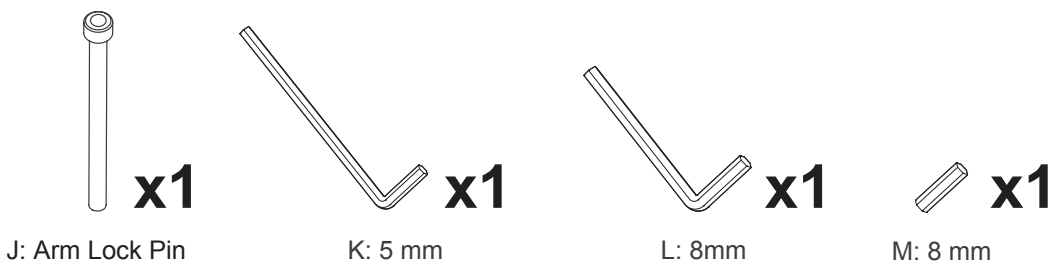
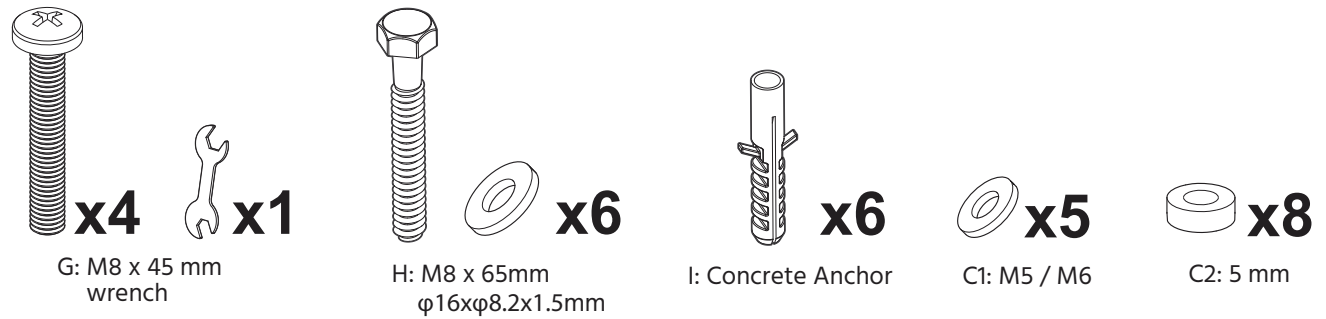
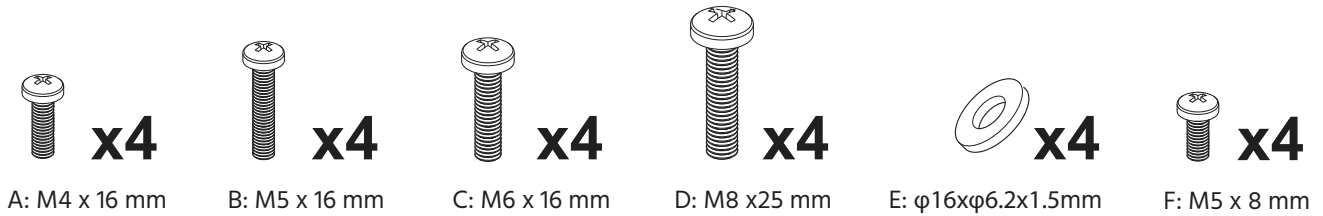
Mount your television conveniently above your fireplace using this Above Fireplace Mount. It is capable of supporting televisions with VESA patterns from 100x100 and 600x500 and weighing between 11~62 lbs (5~28kg). The mount allows you to keep the TV safely up and out of the way when not in use, then you can pull it down to eye level for comfortable viewing.

# FEATURES

- Designed for flat screen televisions from 42" ~65"
- Supports televisions weighing between 17.6~55 lbs (8~25kg)
- Supports VESA mounting patterns between 100x100 and 600x500
- Designed to mount to wood stud frame wall above the fireplace mantle
- Television can be pulled down to eye level for comfortable viewing
- Full motion mount allows for  $\pm 30^\circ$  swivel,  $\pm 5^\circ$  rotation, and  $+10^\circ/-5^\circ$  tilt

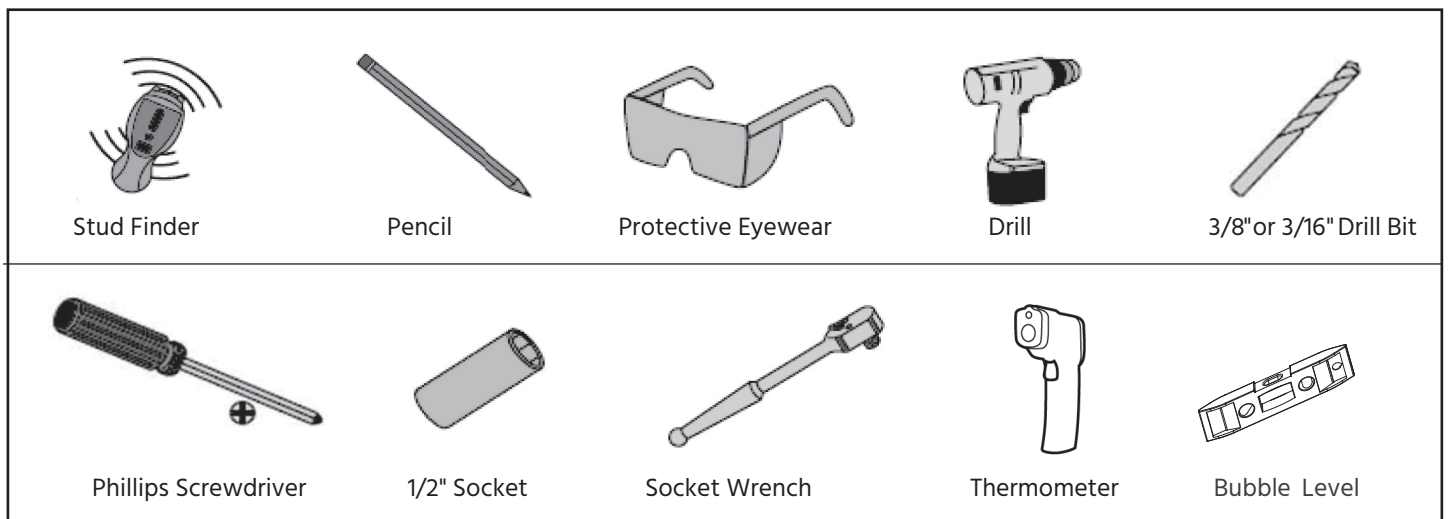
# PACKAGE CONTENTS

<p>AA.</p>  <p>X 1</p> <p>X 2</p>	<p>BB.</p>  <p>X 1</p>	
<p>CC.</p>  <p>X 1</p>	<p>DD.</p>  <p>X 2</p>	
<p>EE.</p>  <p>X 1</p>	<p>FF.</p>  <p>X 1</p>	<p>HH.</p>  <p>X 4</p>
<p>GG.</p>  <p>X 2</p>	<p>II.</p>  <p>X 1</p>	



## REQUIRED TOOLS (Not Included)

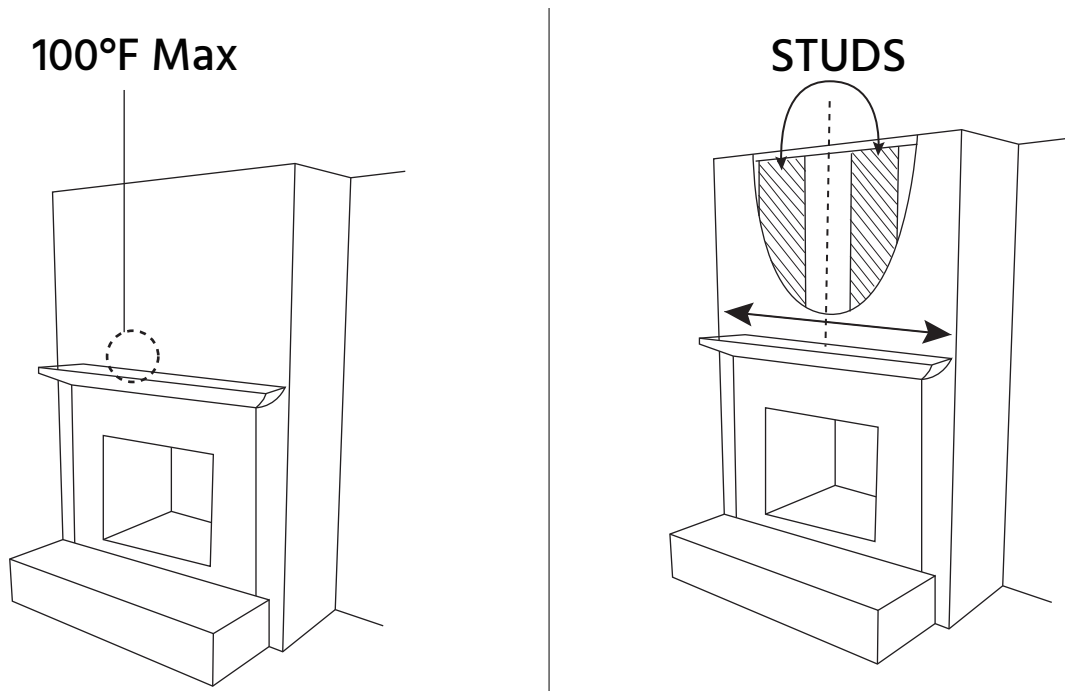
You will need the following tools for installation



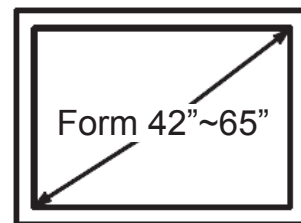
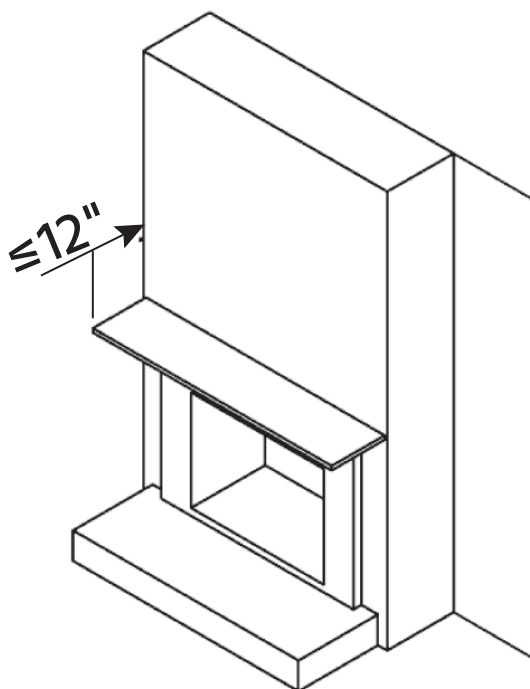
## INSTALLATION CONSIDERATIONS

Warning Ensure that the mounting surface can safely support the combined weight of of the assembled mount and installed.

1. The temperature at the front of the fireplace mantle must never exceed 100°F (38°C).

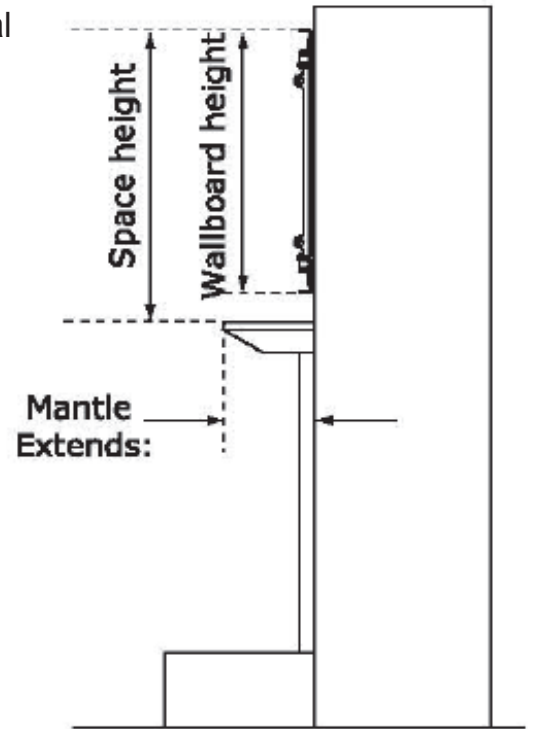


2. The wall to which this mount will be attached must be a wood stud type, with studs spaced no more than 24"(609mm) apart. These studs should be symmetrically positioned or the installation will not be symmetrical to the fireplace mantle. The wall must be no more than 5/8" (16mm) thick.
3. The distance from the mesa of the fireplace to the wall must be less than 12 "(30.4cm).



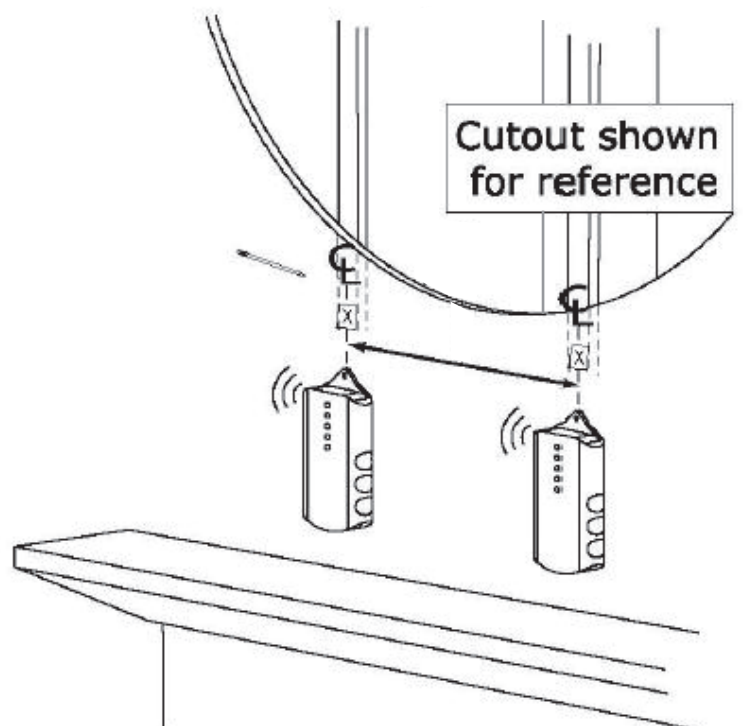
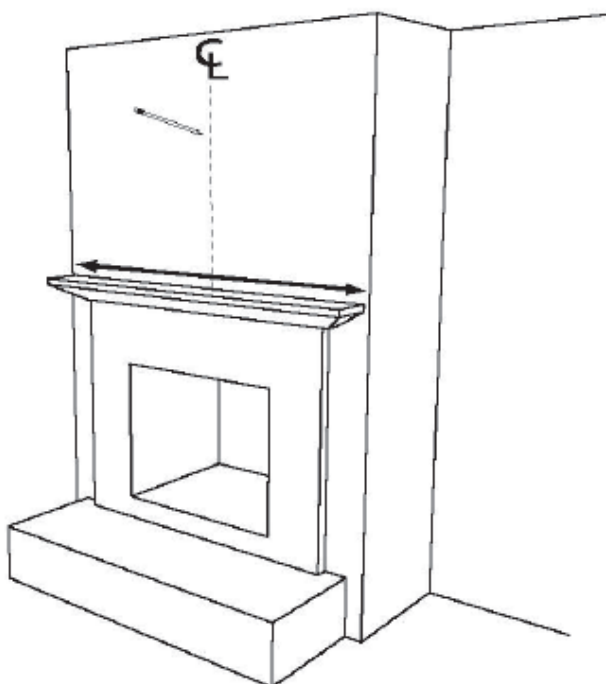
- This mount is intended for flat screen televisions (LCD, LED, Plasma) only. The mounted television should be between 42 ~ 65" and weigh between 17.6~55 lbs.
- The vertical space above the mantle must be greater than the height of the wallboard. The required vertical space depends on how far the mantle extends out from the wall.

Mantle size	Space height
Less than 8"	Wallboard height +2"
8"~11"	Wallboard height +3"
11"~13"	Wallboard height +4"
13"~16"	Wallboard height +6"



## INSTALLATION

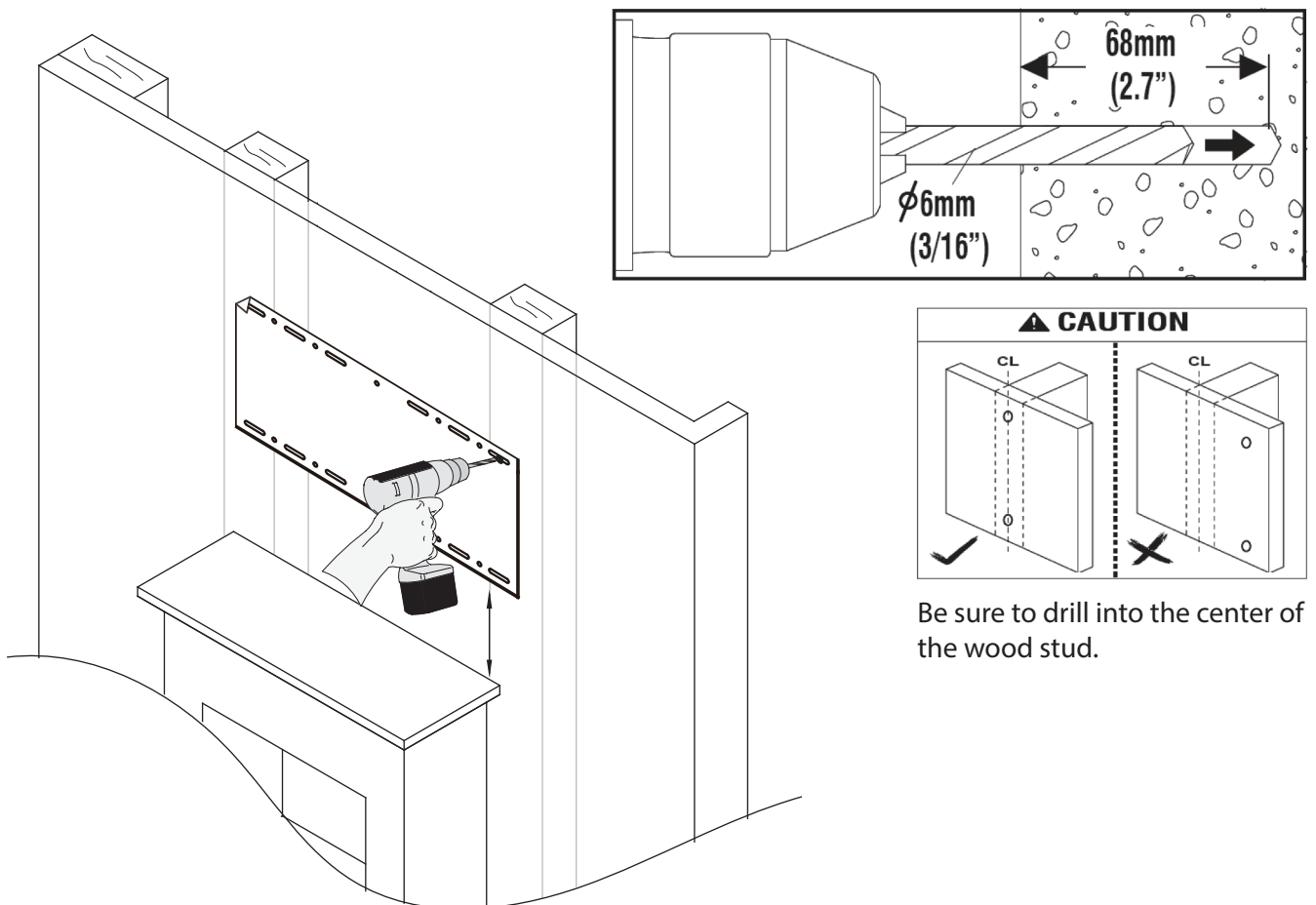
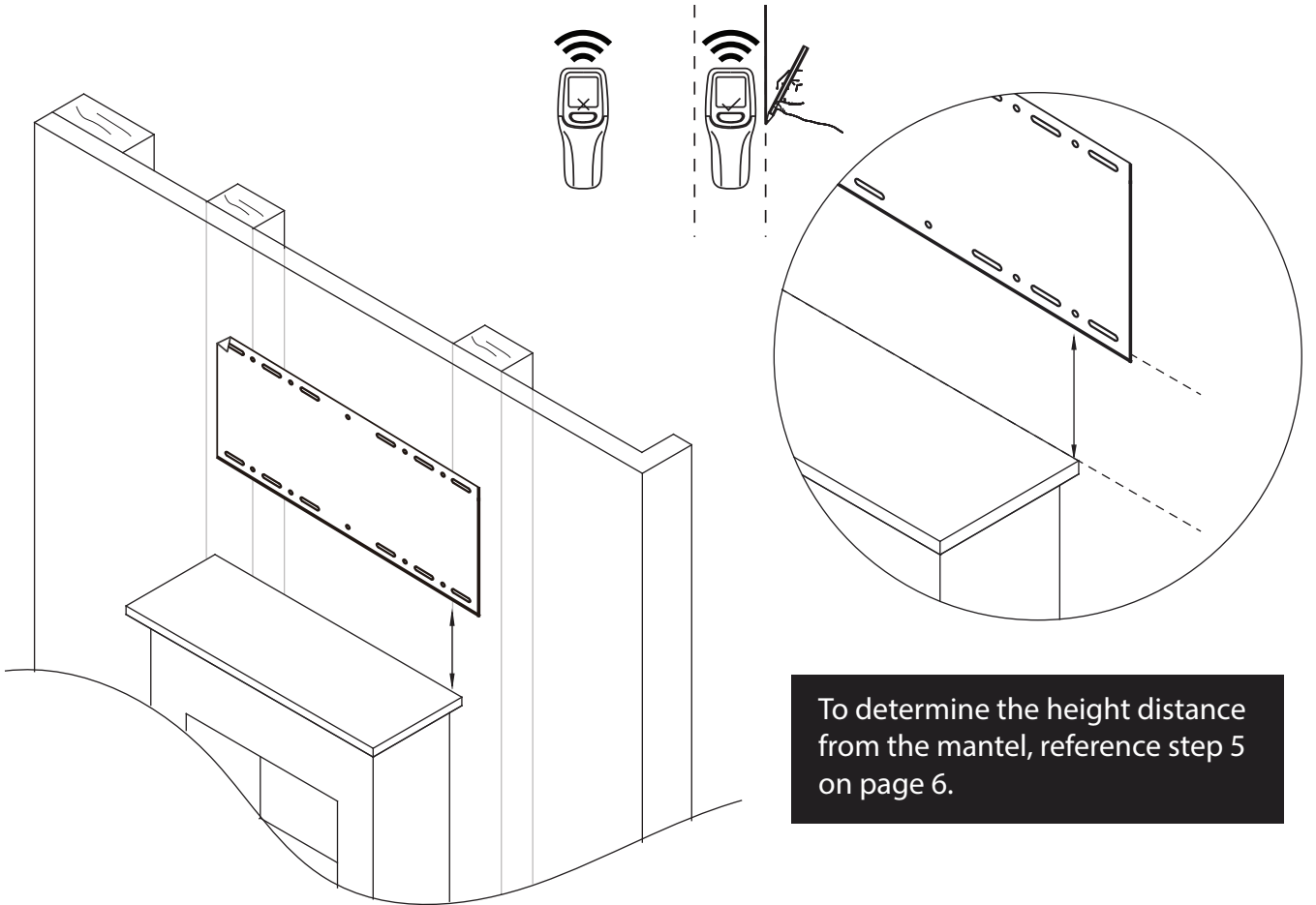
Use a tape measure to determine the center point of the mantle. Mark the centerline with a pencil or tape.



1

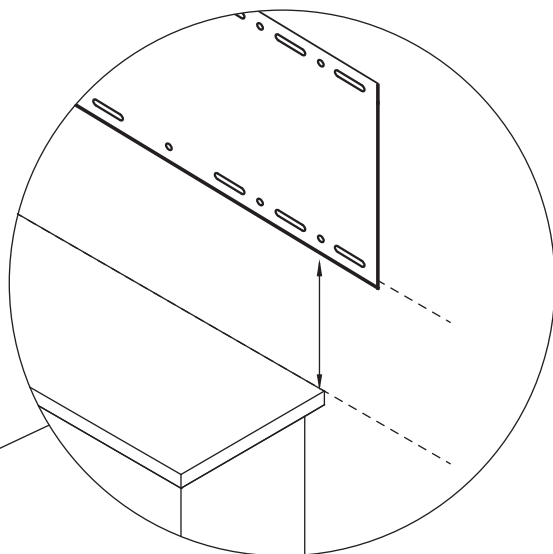
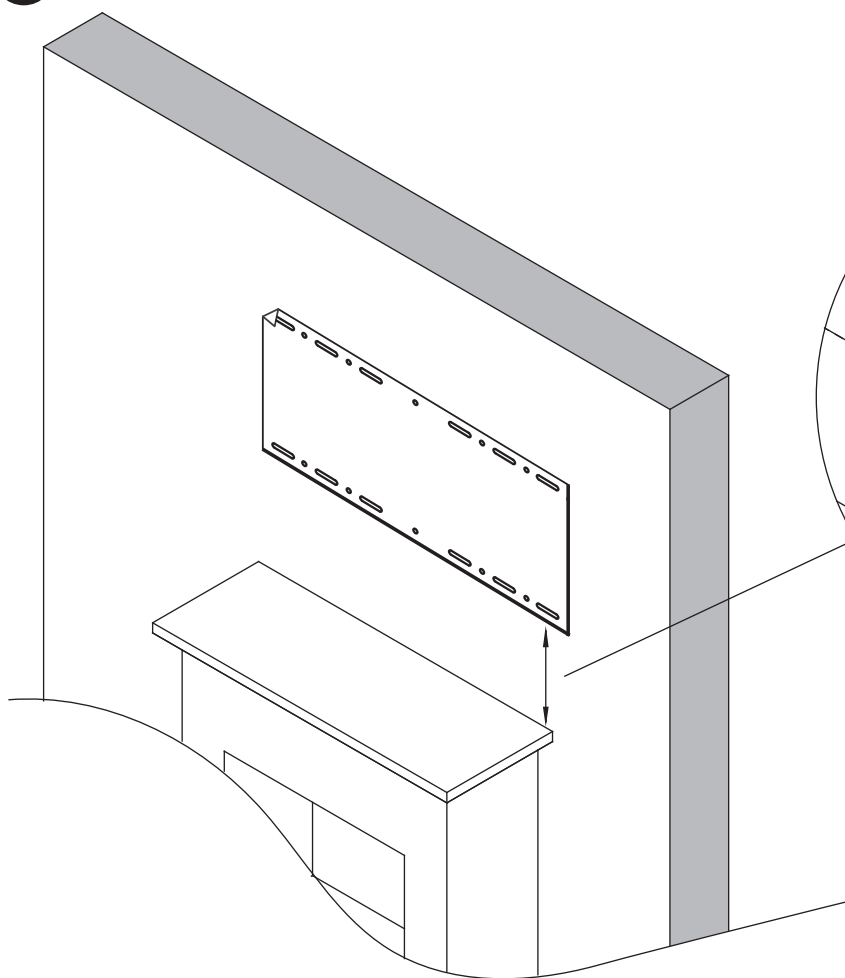
WOOD

Suitable for 16" or 24" apart studs

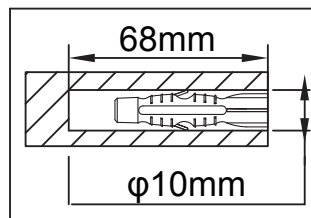
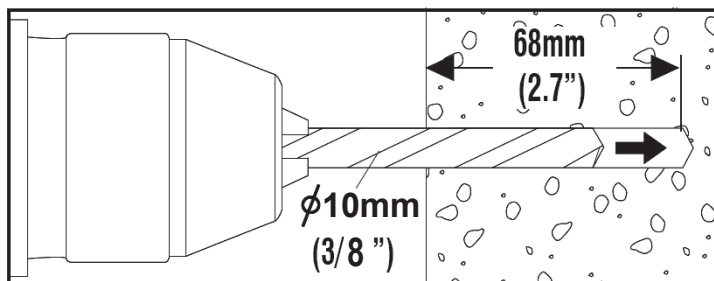
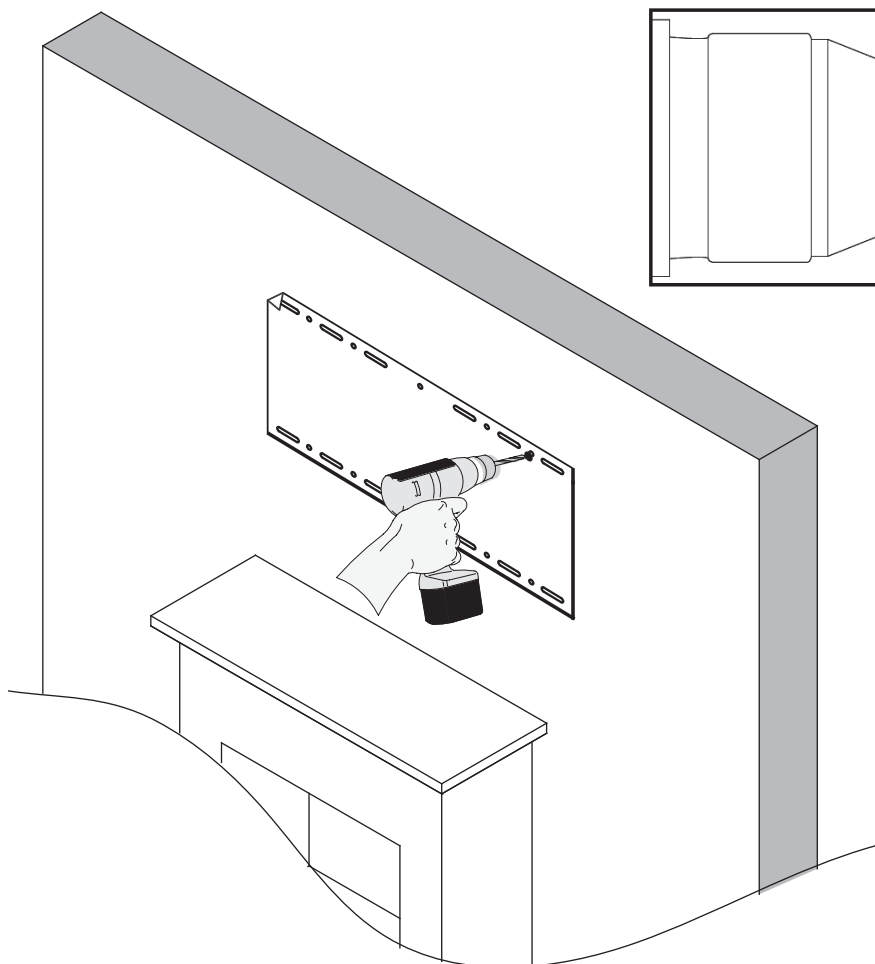


2

# BRICK OR CONCRETE

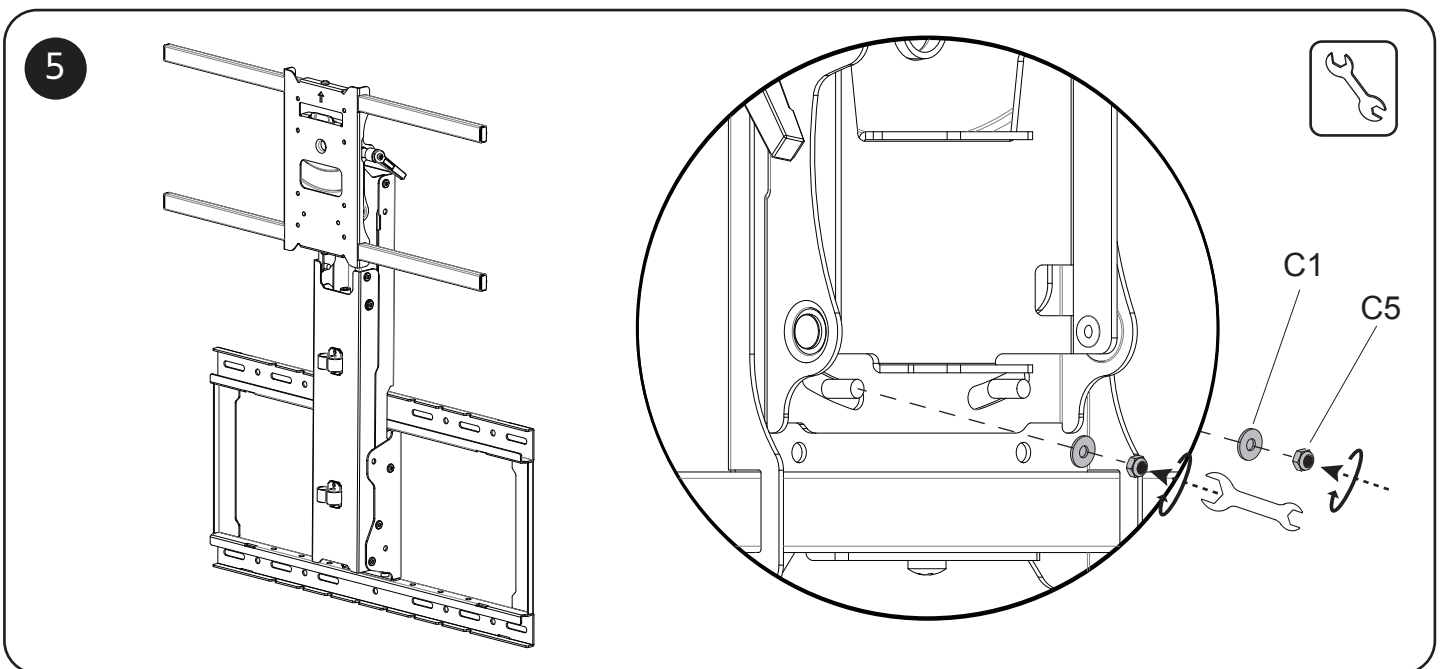
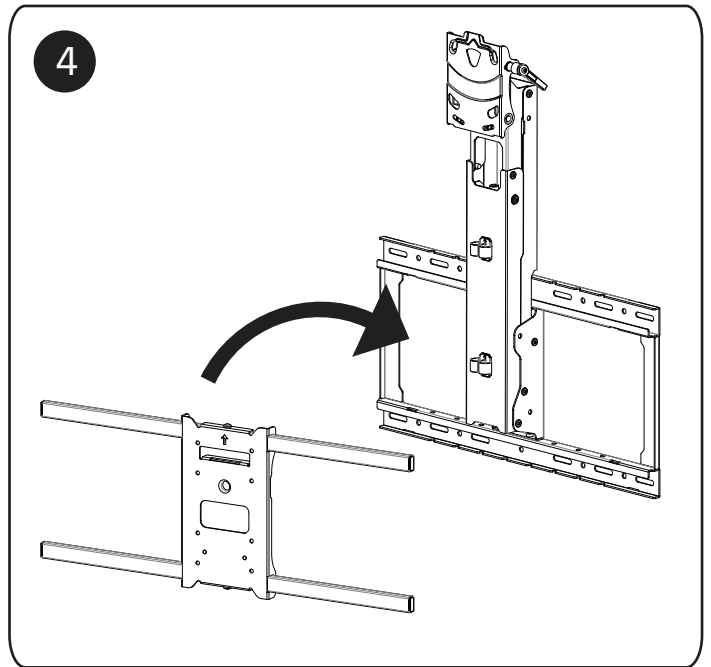
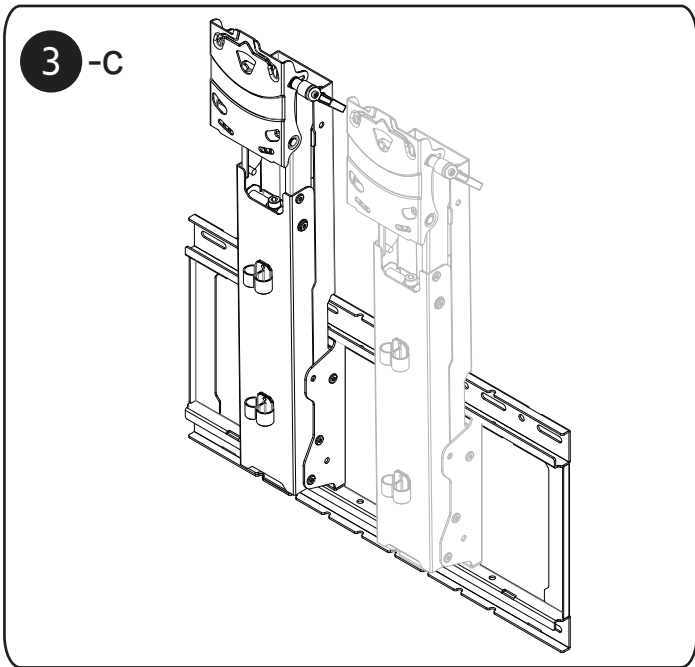
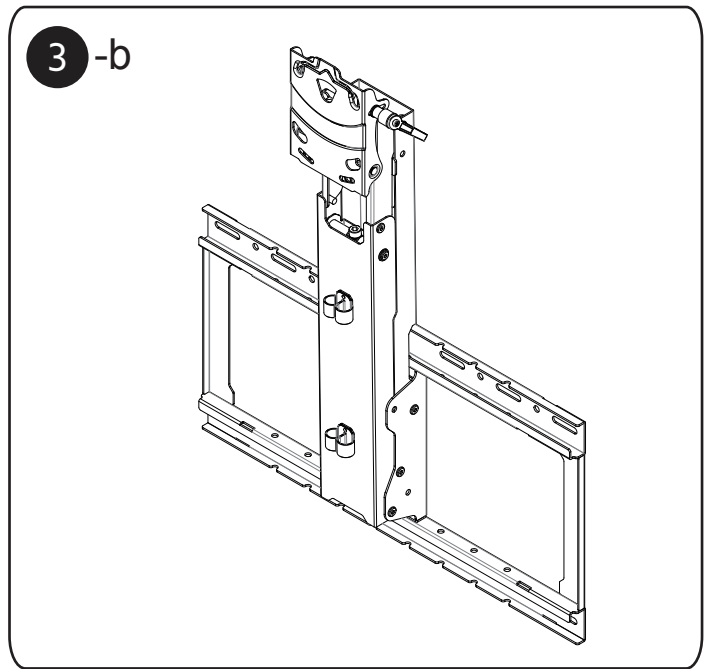
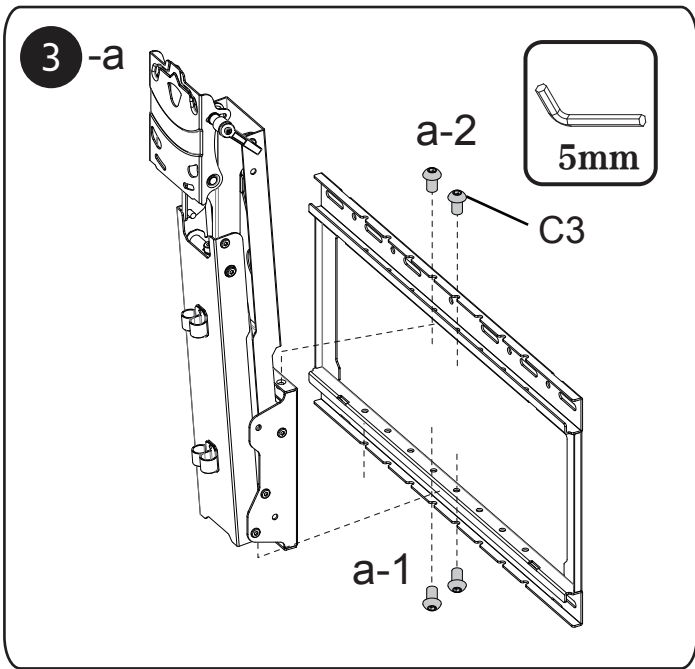


To determine the height distance from the mantel, reference step 5 on page 6.



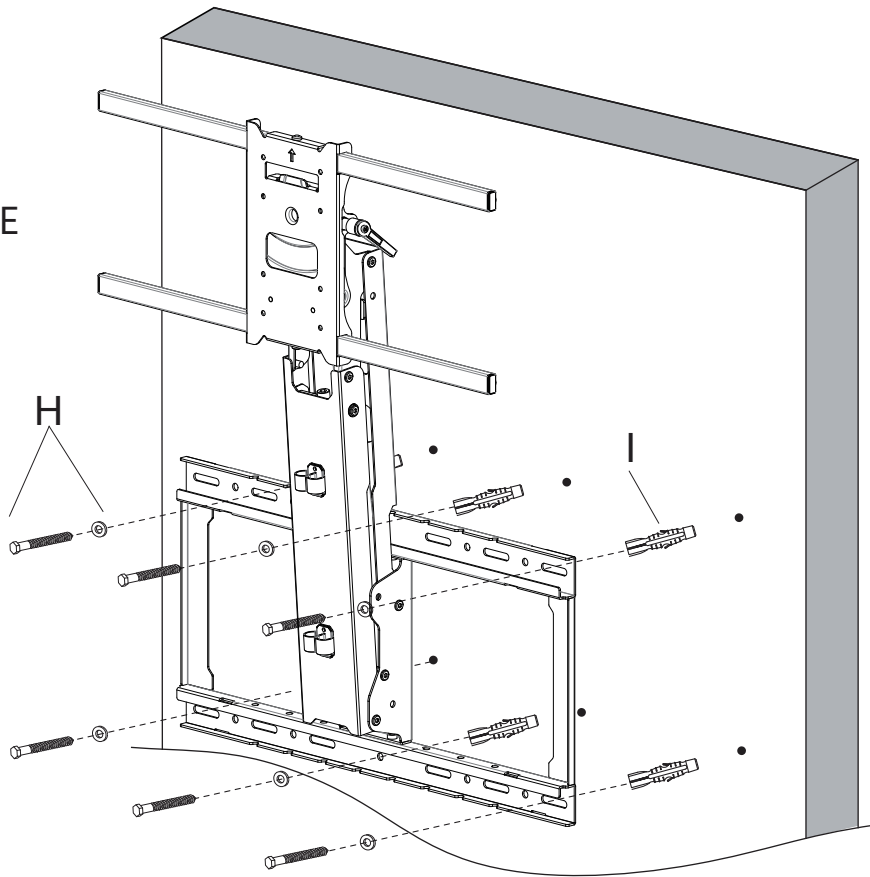
Insert Concrete Anchor (I)





6 -a

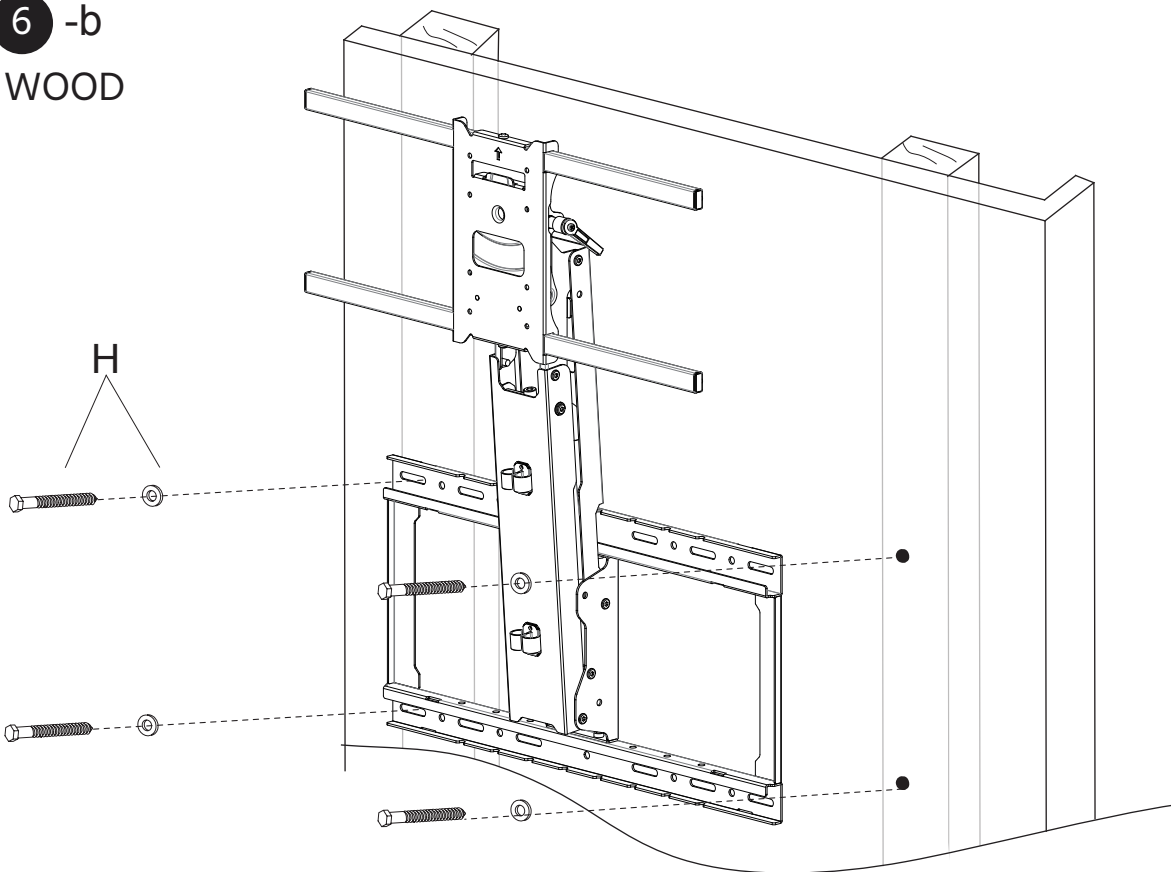
BRICK  
OR  
CONCRETE



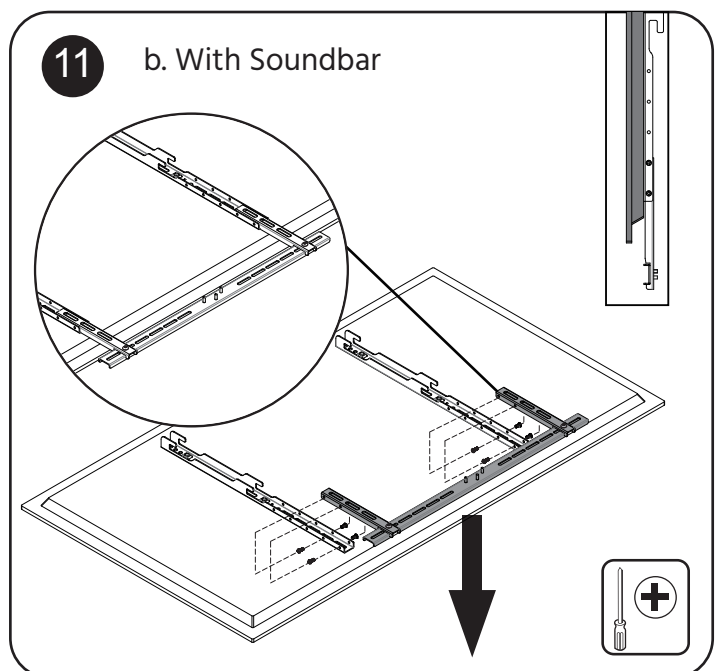
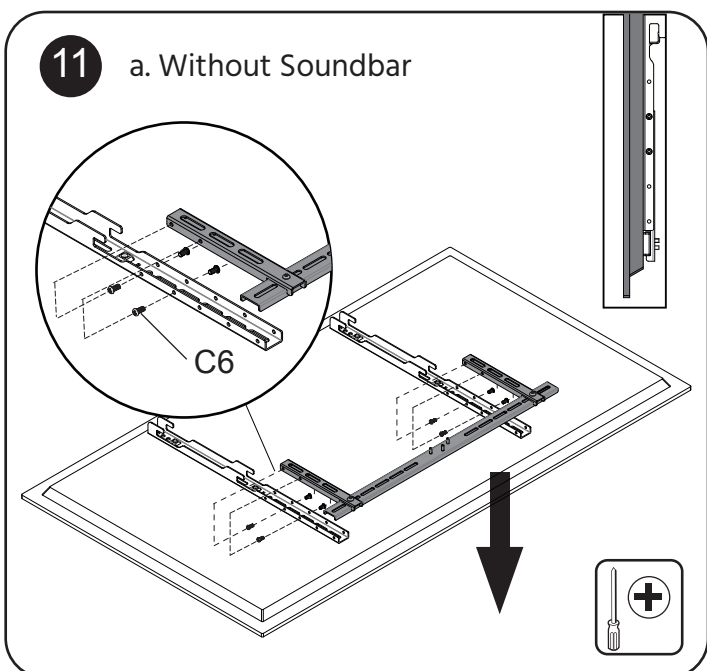
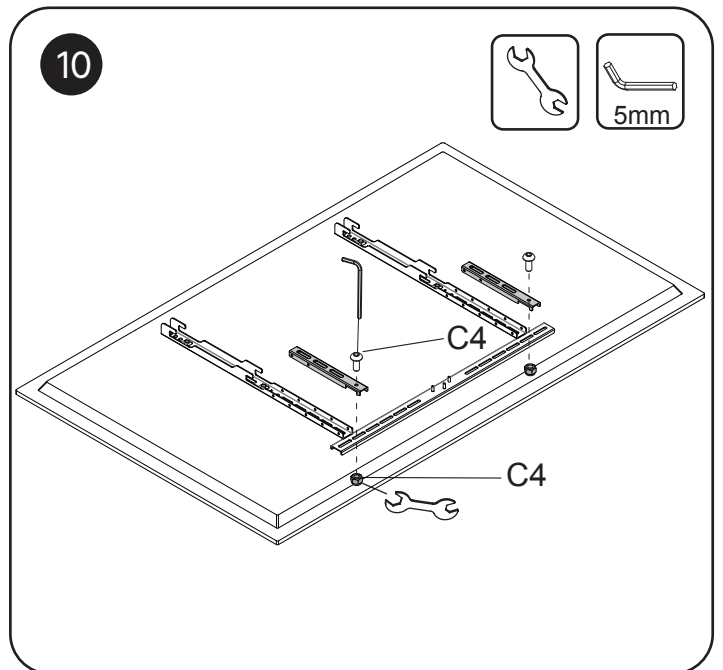
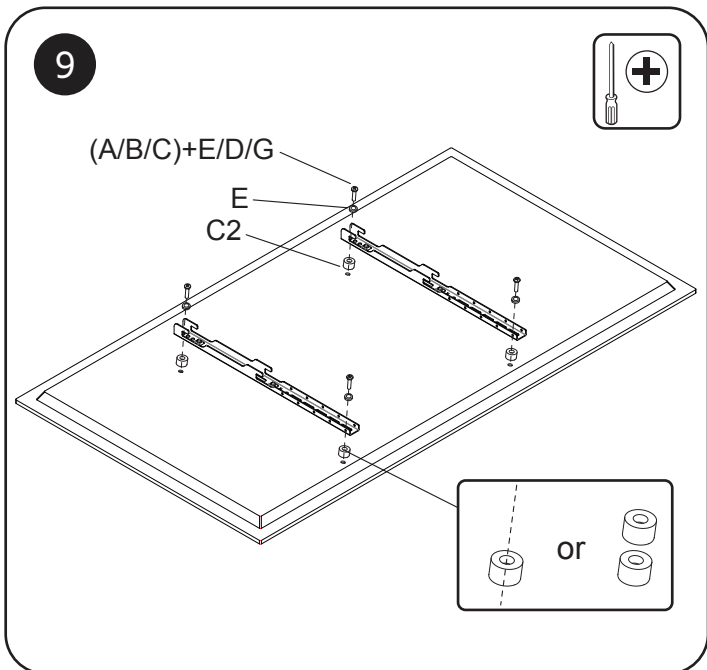
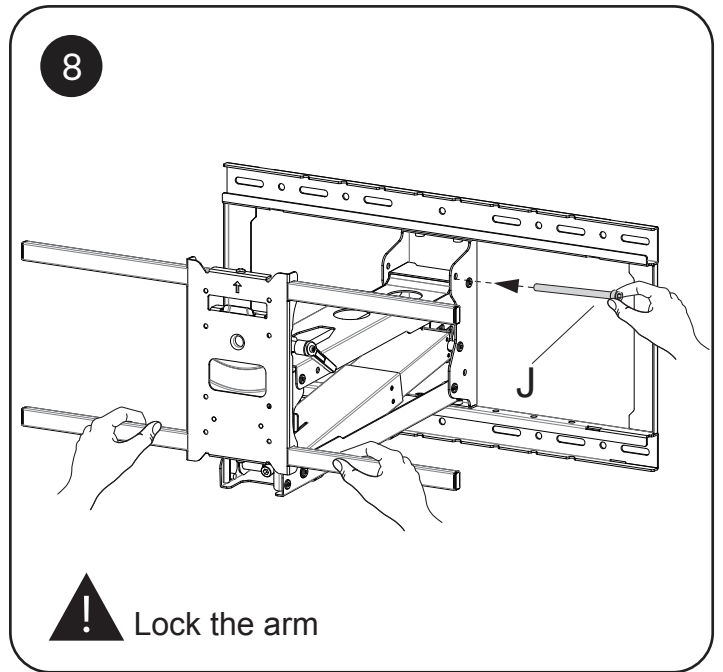
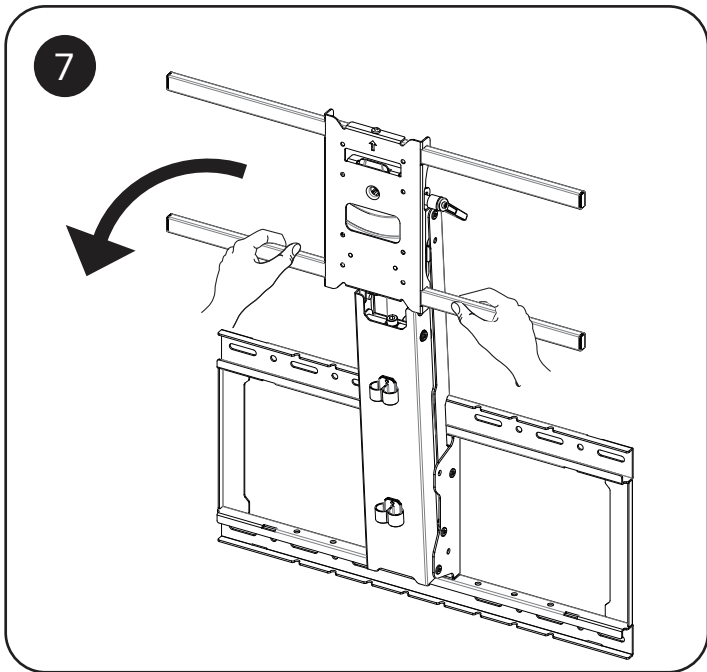
- Socket Wrench
- 1/2" Socket
- Level

6 -b

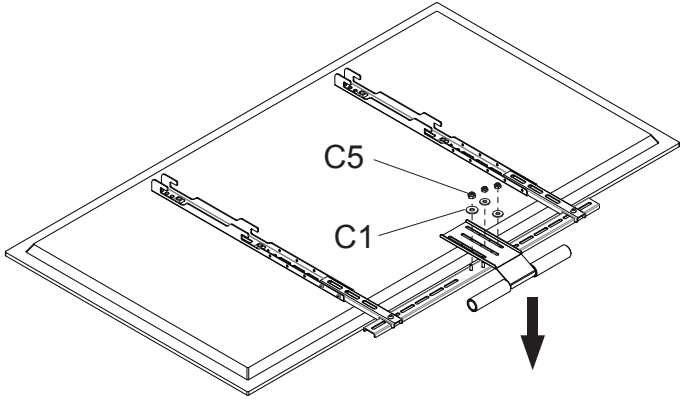
WOOD



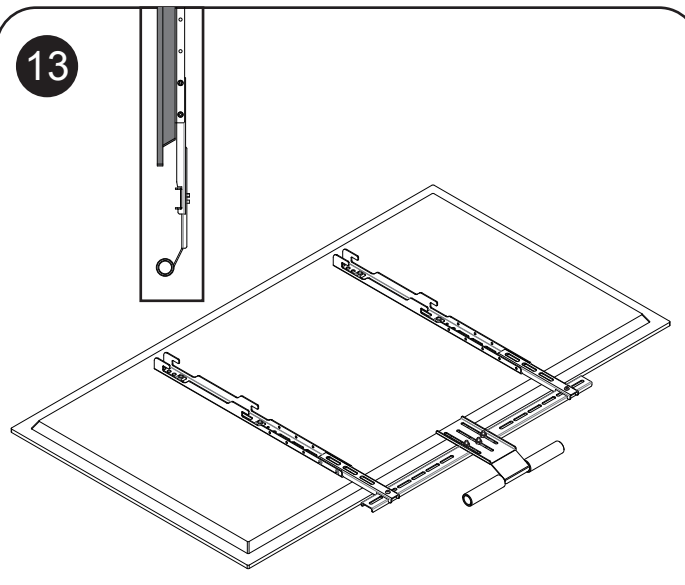
- Socket Wrench
- 1/2" Socket
- Level



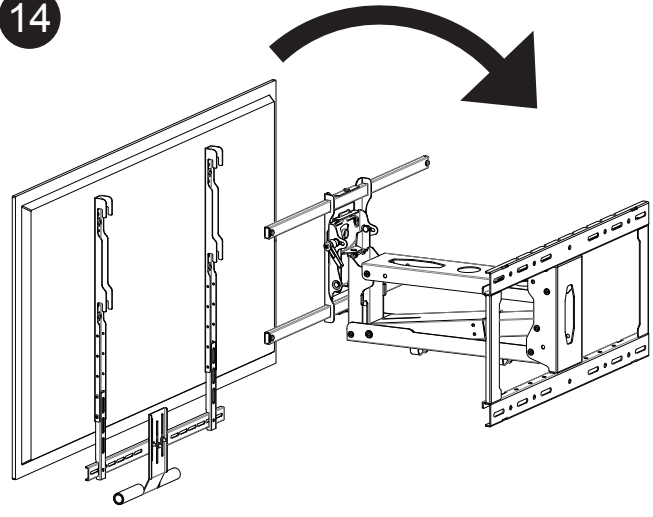
12 Please adjust the Handle distance to the height of the sound



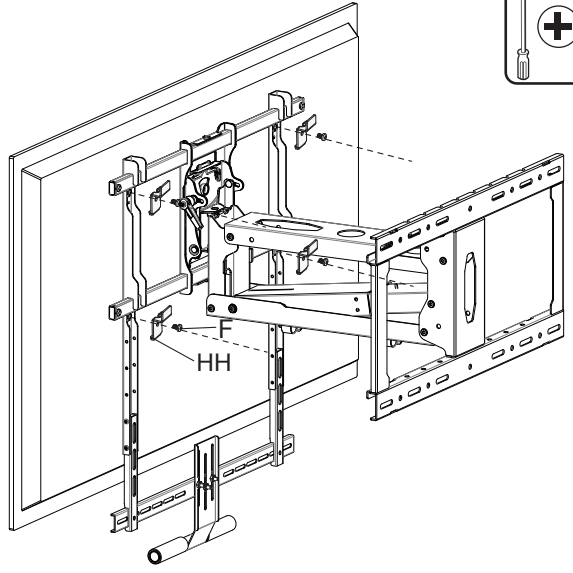
13



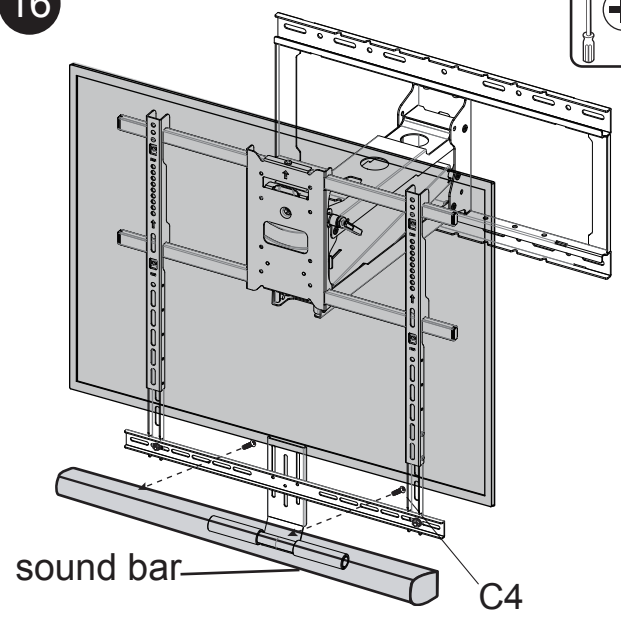
14



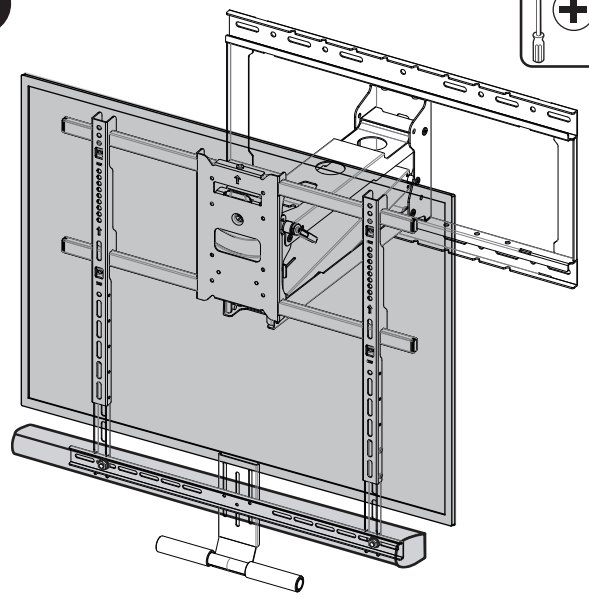
15



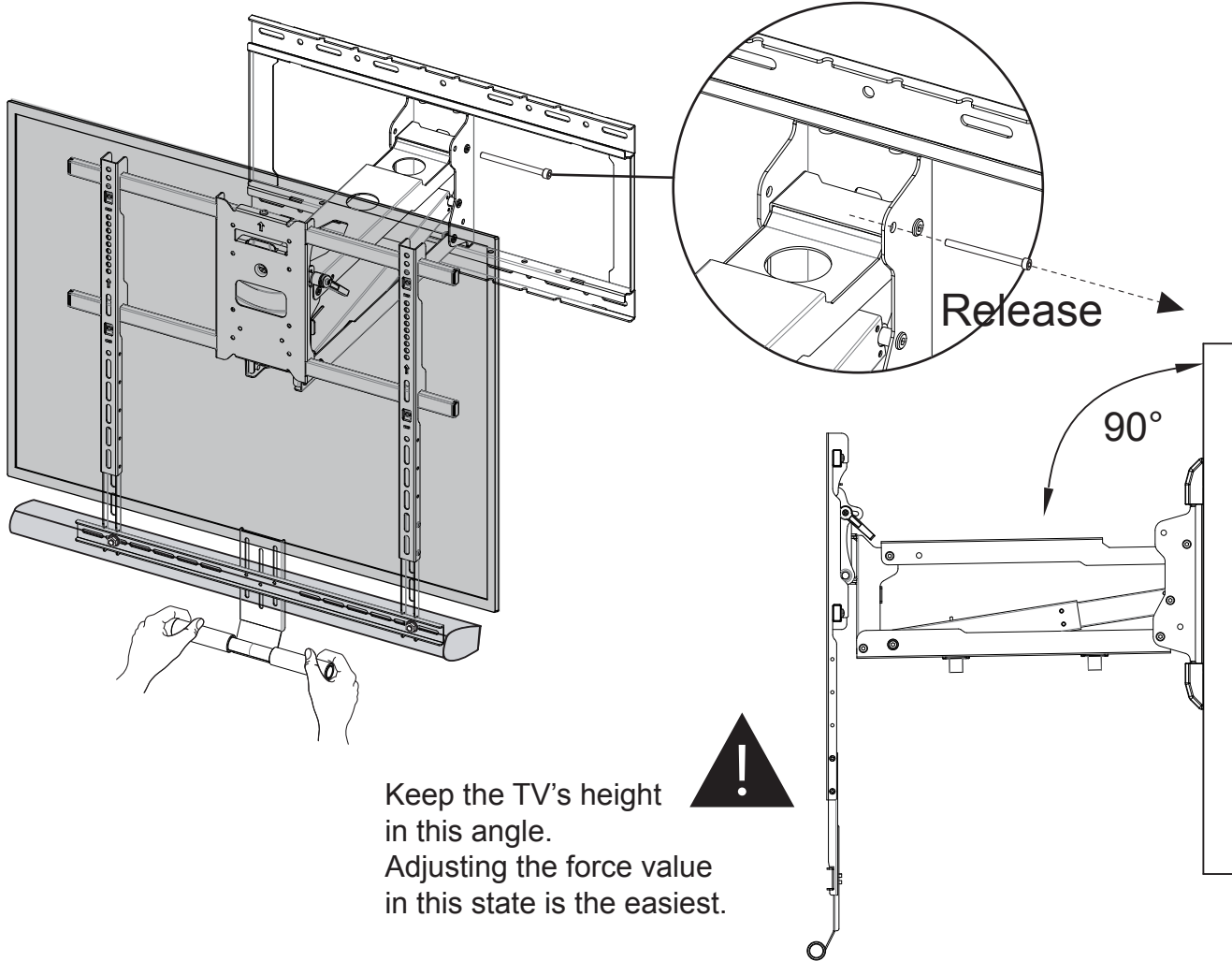
16



17



18

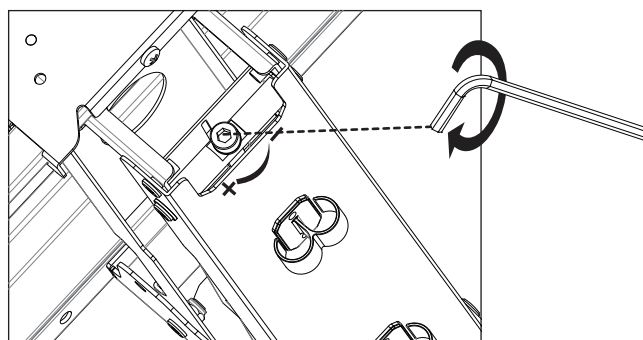
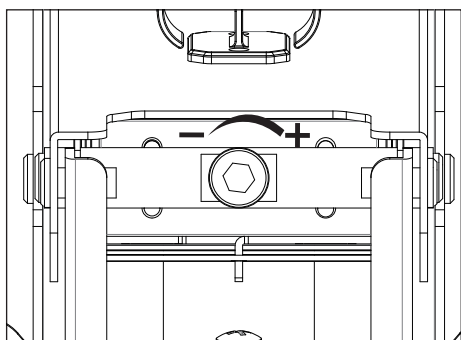


Keep the TV's height  
in this angle.  
Adjusting the force value  
in this state is the easiest.

### Adjustable the bracket's constant force

“ + ” :Increase the constant force

“ - ” :Reduce the constant force



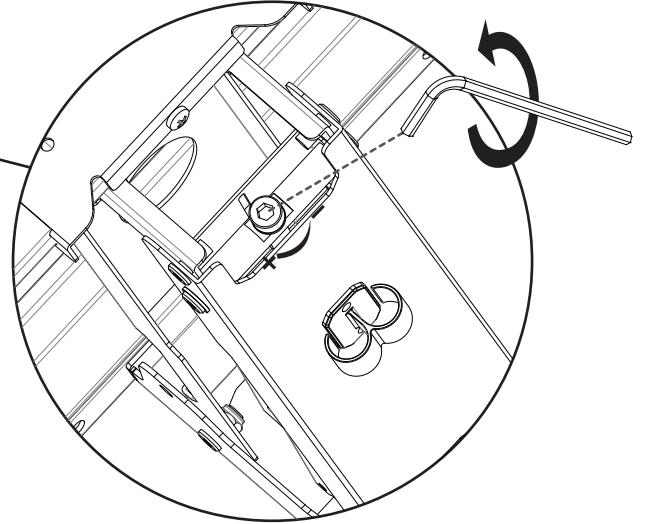
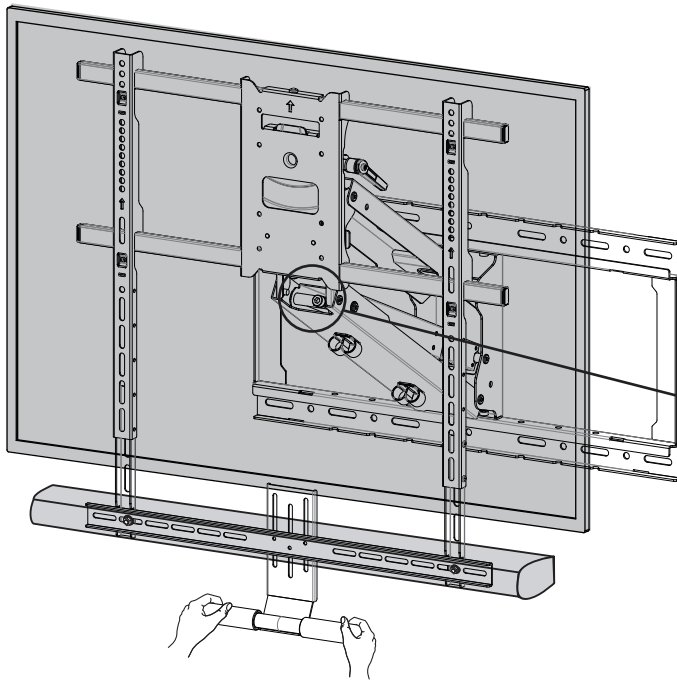
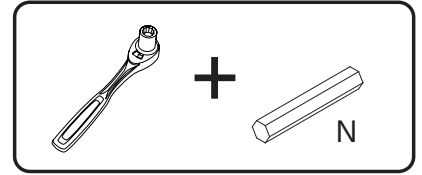
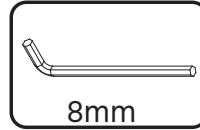
### Attention: The weight of the TV set in the weighing range

A: The TV sets can be hovering at any height, don not need to adjust.

B: The TV sets up, turn to “ - ” until free hovering.

C: The TV sets down, turn to “ + ” until free hovering.

18 -2

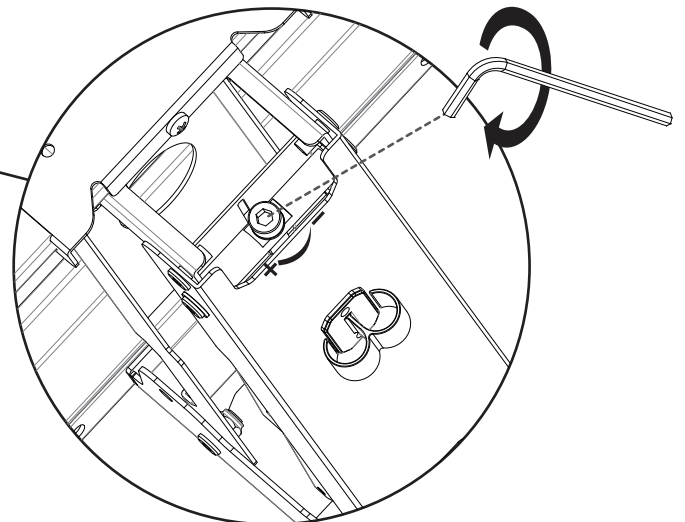
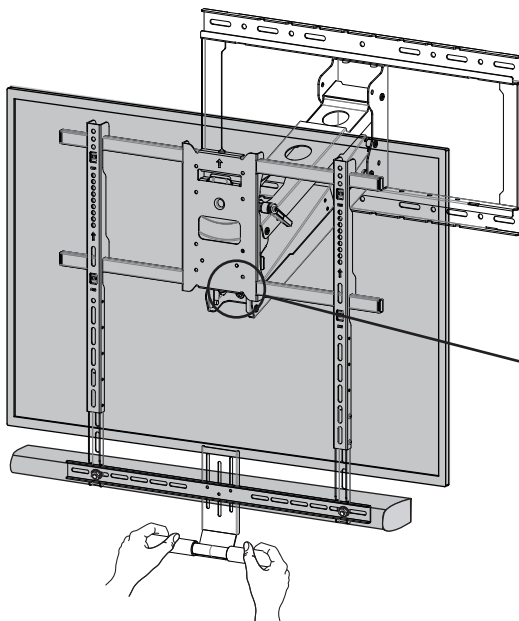
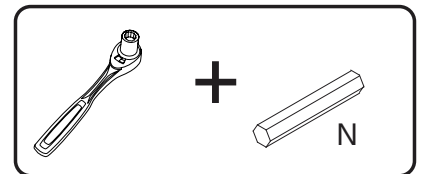
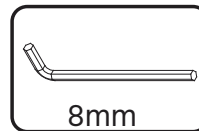


B: The TV sets up

Turn to " — "

Adjust until free hovering

18 -3

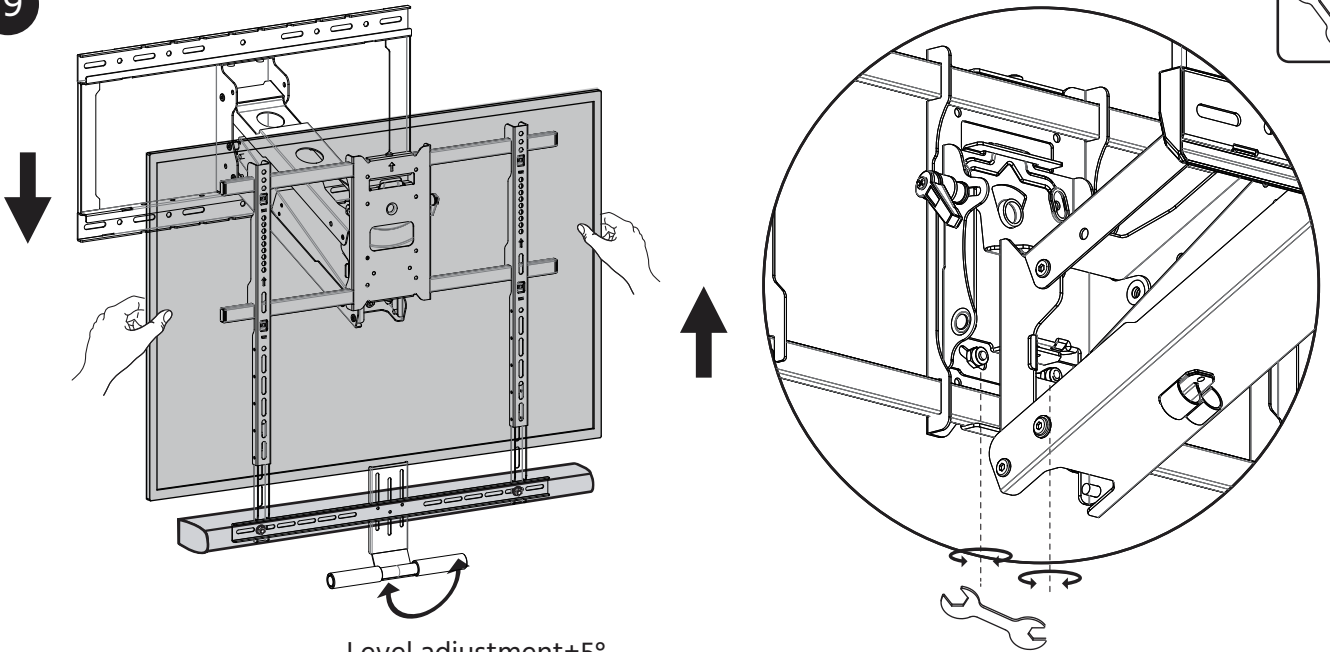


C: The TV sets down

Turn to " + "

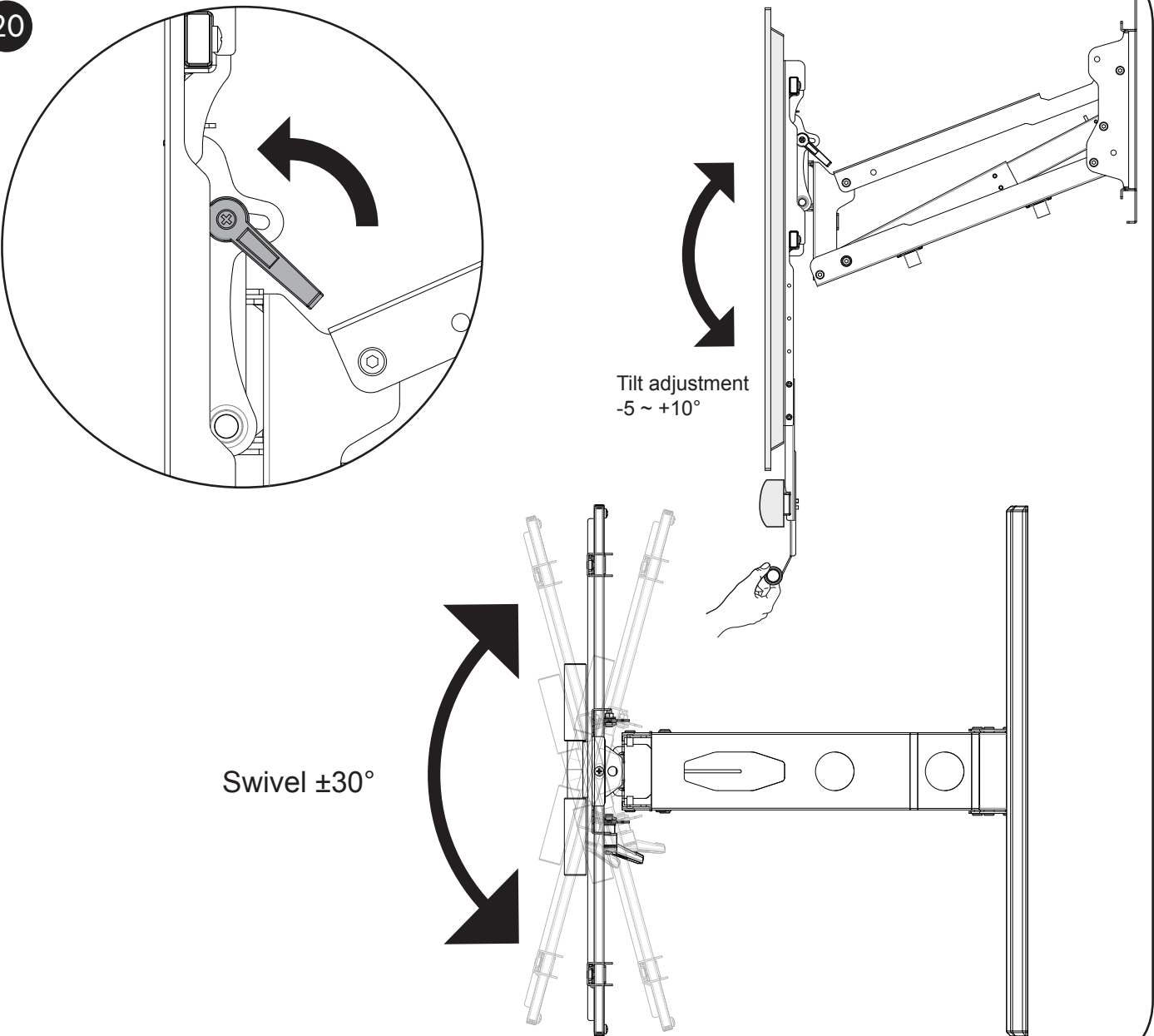
Adjust until free hovering

19



Level adjustment  $\pm 5^\circ$

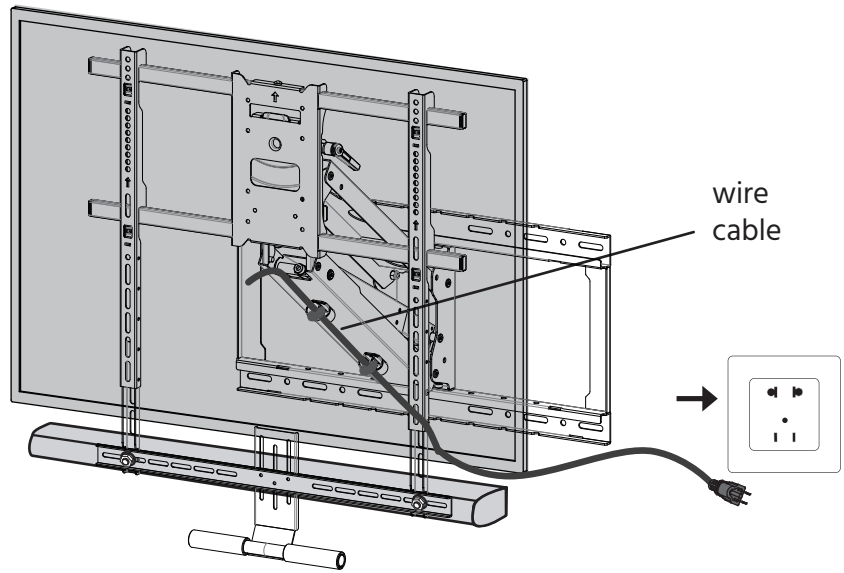
20



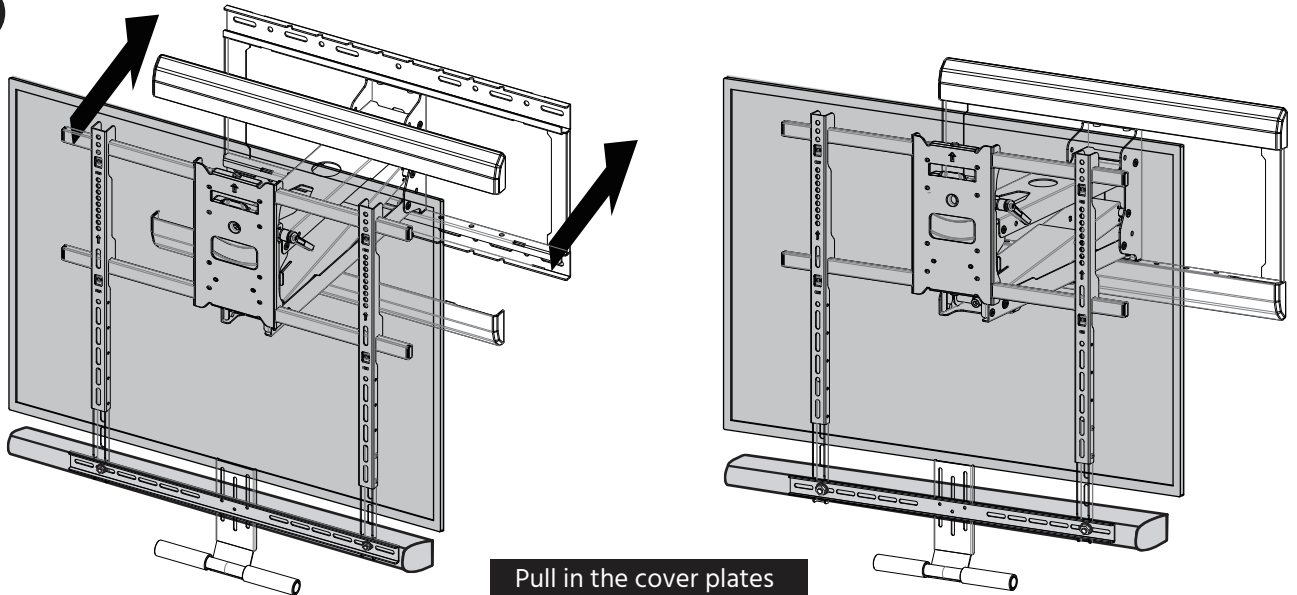
Tilt adjustment  
 $-5 \sim +10^\circ$

Swivel  $\pm 30^\circ$

21



22



23

