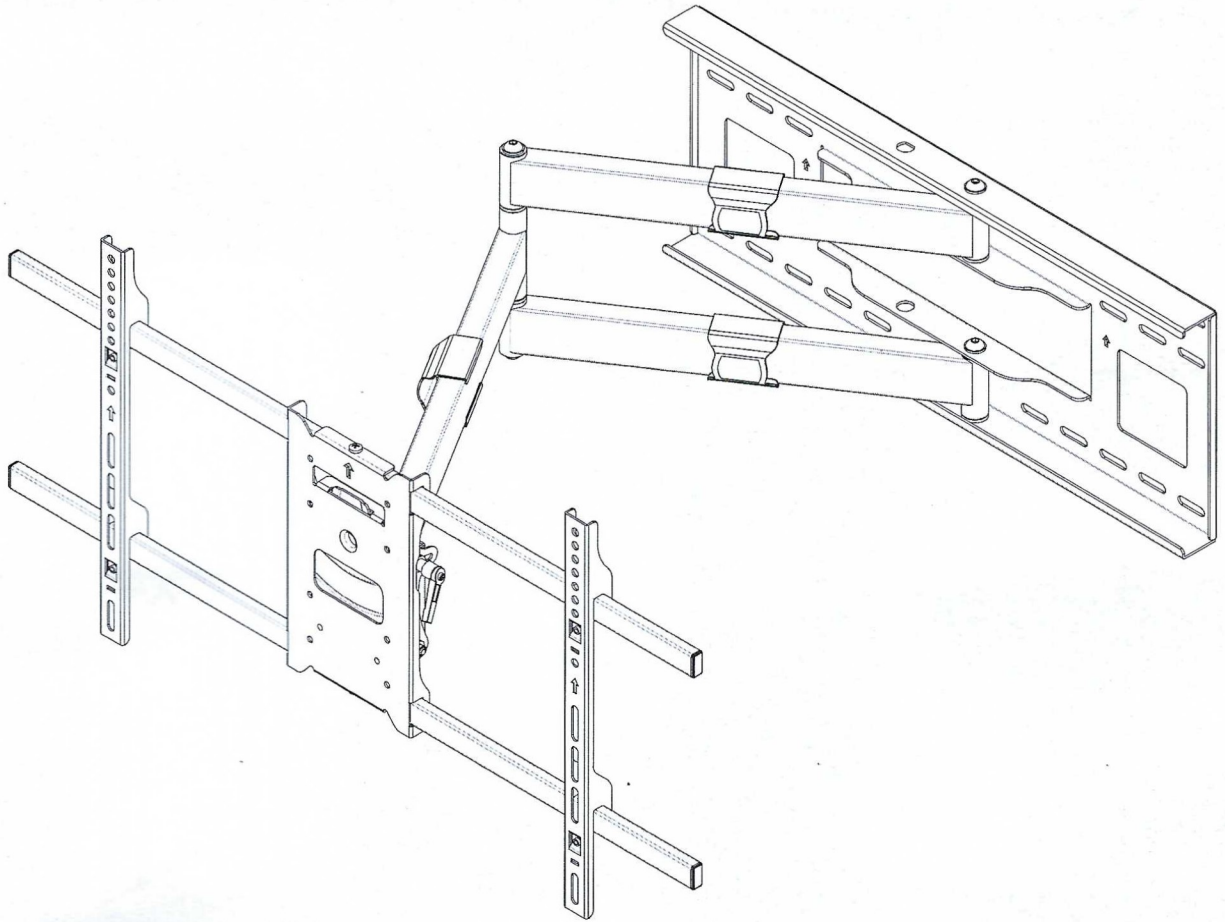
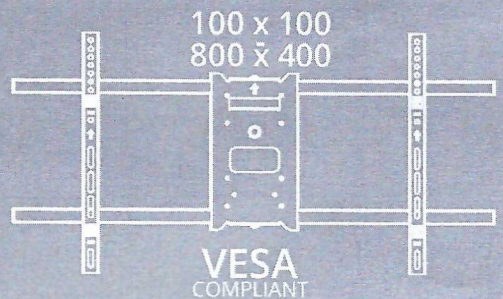
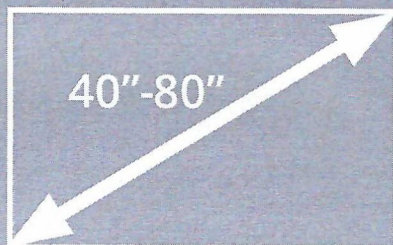
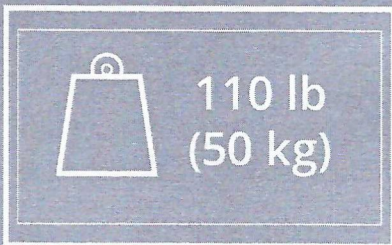


# LED/LCD/Plasma Wall Support

SCL05XL



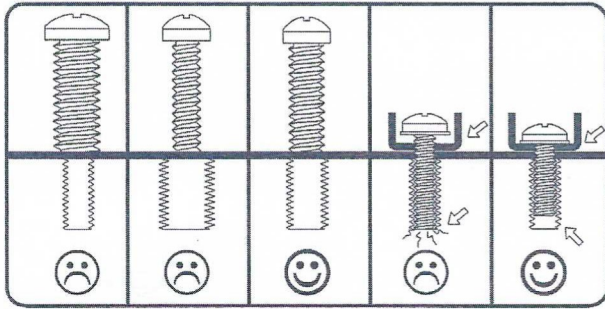
## INSTALLATION INSTRUCTIONS



# CAUTION

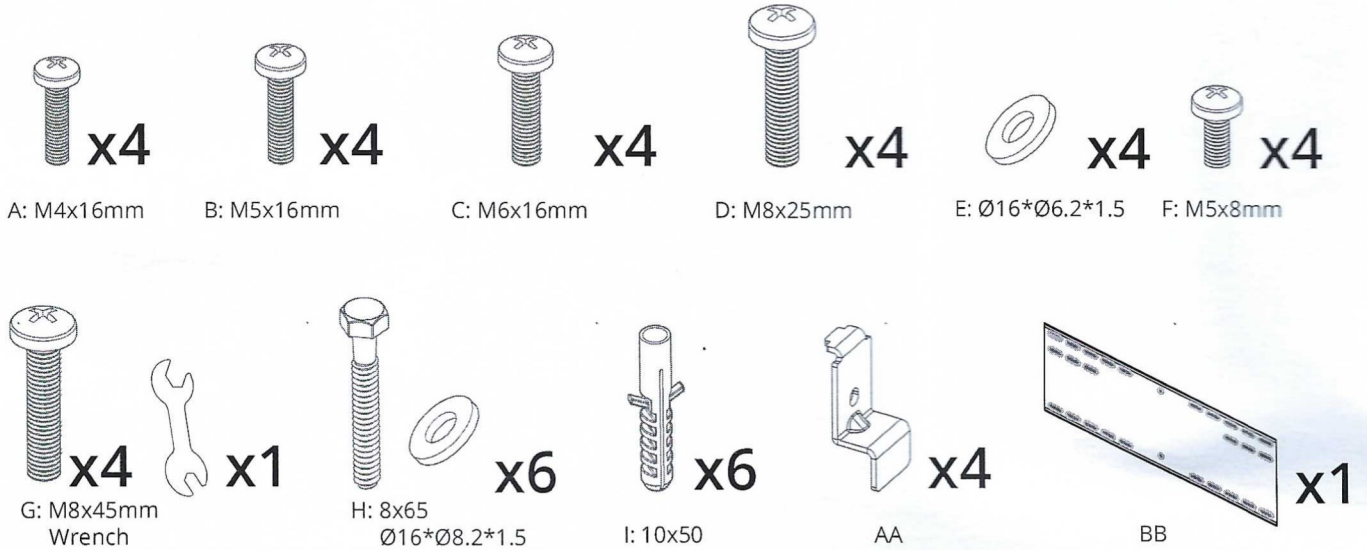
The maximum loading weight is 110 lbs (50kg). This mount is intended for use only with the maximum weights indicated. Use with products heavier than the maximum weights indicated may result in instability causing possible injury. The wall you plan to affix the SCL05XL mount to must be also able to support more than 5 times the weight of the television and the mount combined. Do not use this product for any purpose other than to mount a VESA compliant TV on a vertical surface as outlined in this manual. Improper installation may cause damage to your TV or serious injury. This product should not be mounted on steel stud walls or cinder block walls. Consult a qualified installation contractor if you are unsure about the type of wall you may have.

## Select TV Screws

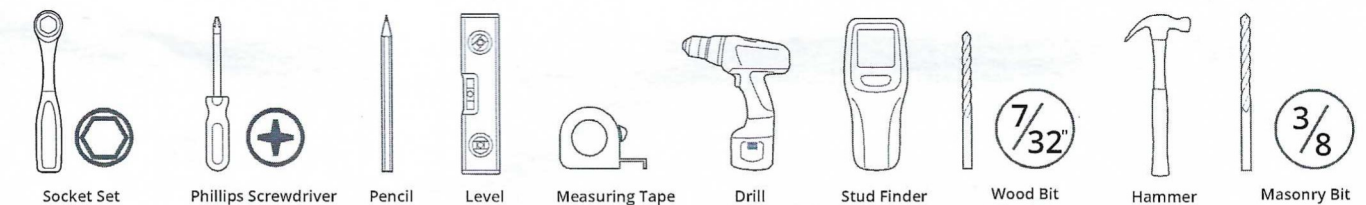


The back of your TV has 4 screw holes in a square or rectangular pattern. This is where the mount will attach to your TV. Suremount provides several sizes and lengths of screws. This guide will help you select the right screws for your TV. You will only use 4 of the provided screws to attach your TV - the rest are not needed.

## Supplied Parts and Hardware



## Required Tools



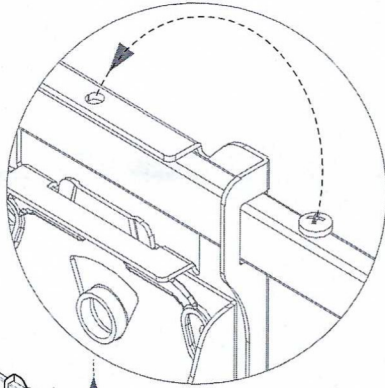
# Installation

1

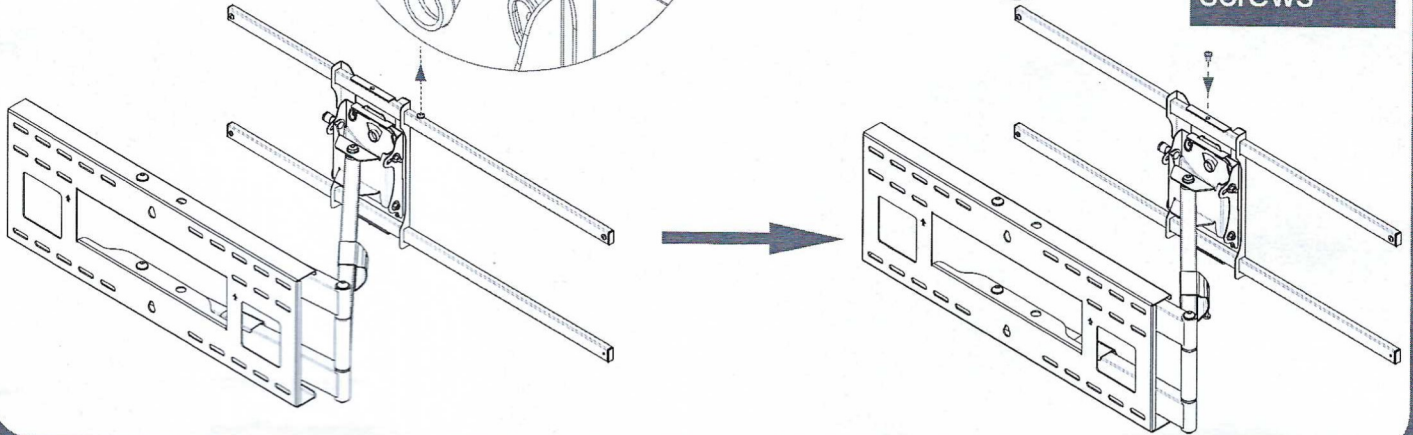
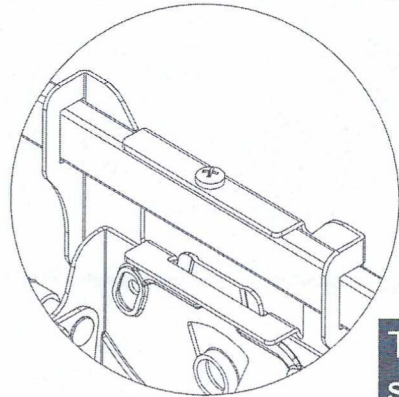
TV Size  $\geq 60"$  VESA  $\geq 400 \times 400$



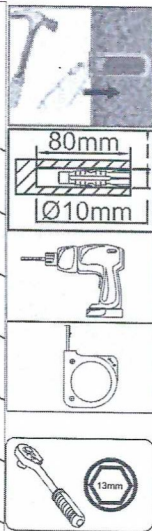
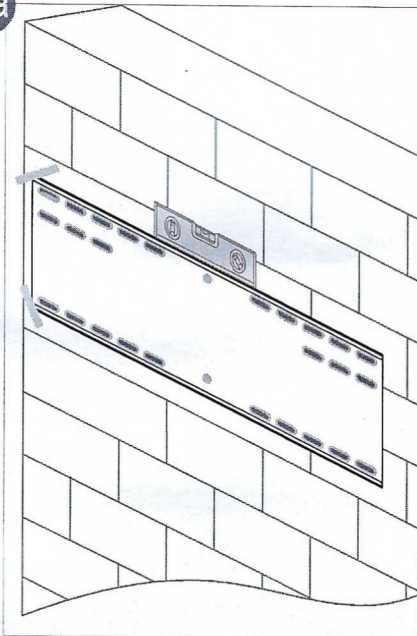
Loosen the screws



Tighten the screws

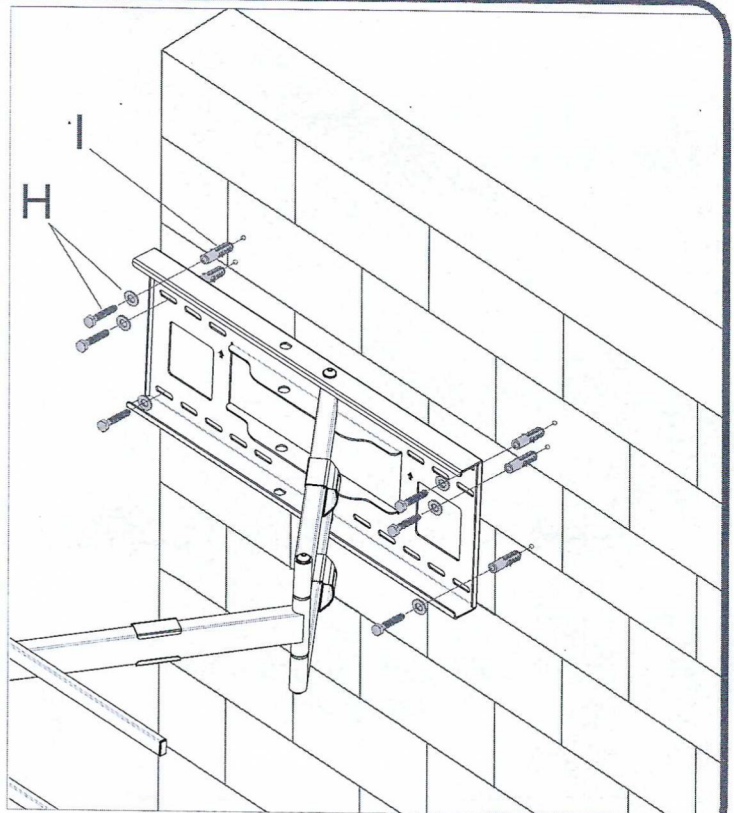


2a

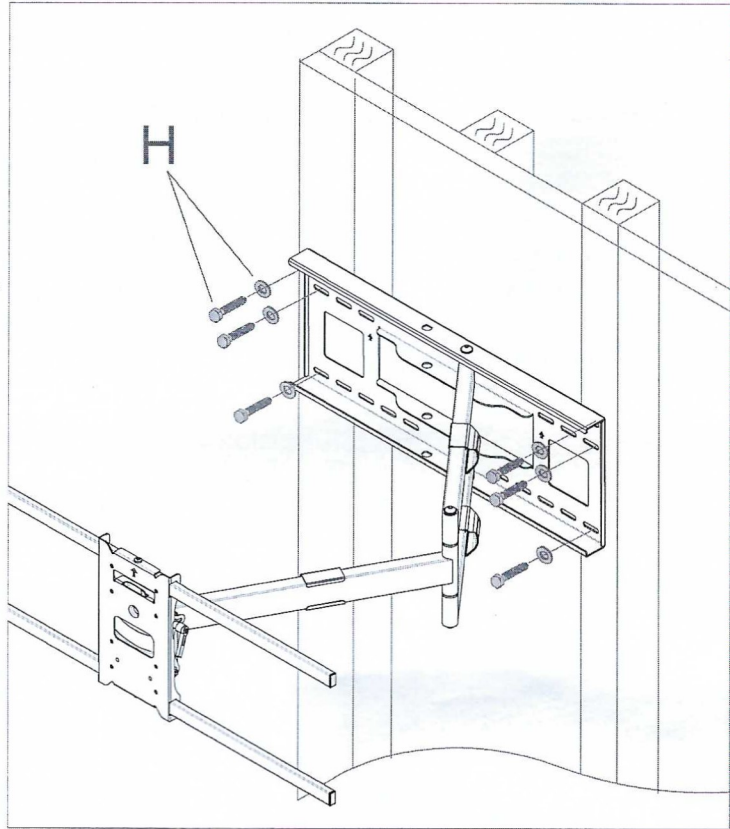
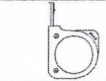
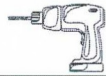
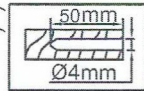
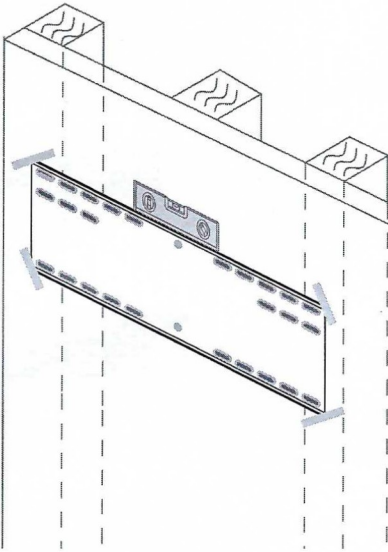
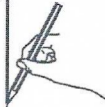


## ⚠ WARNING

- Tighten screws so that wall plate is firmly attached, but do not overtighten. Overtightening can damage screws, greatly reducing their holding power.

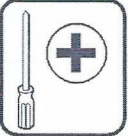


2b



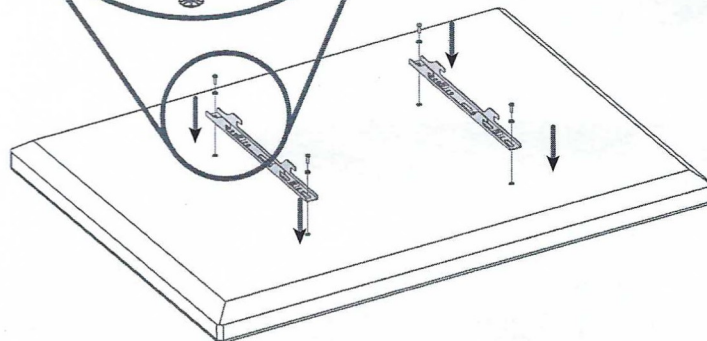
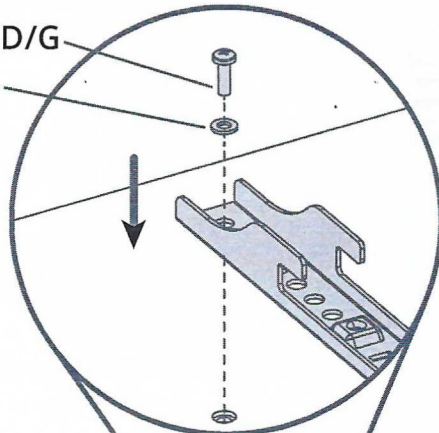
3a

VESA(200X100-800X400)

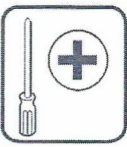


(A/B/C)+E/D/G

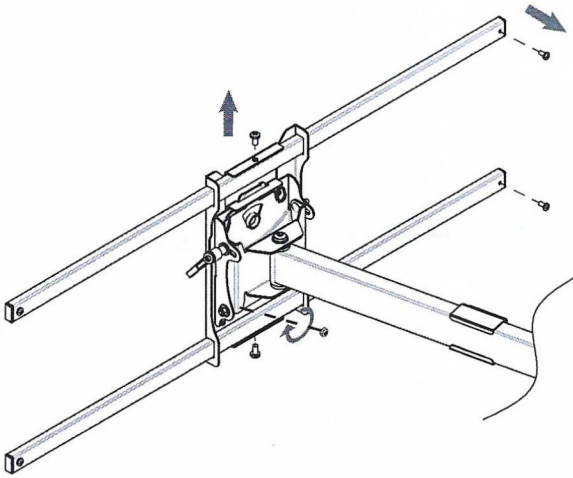
E



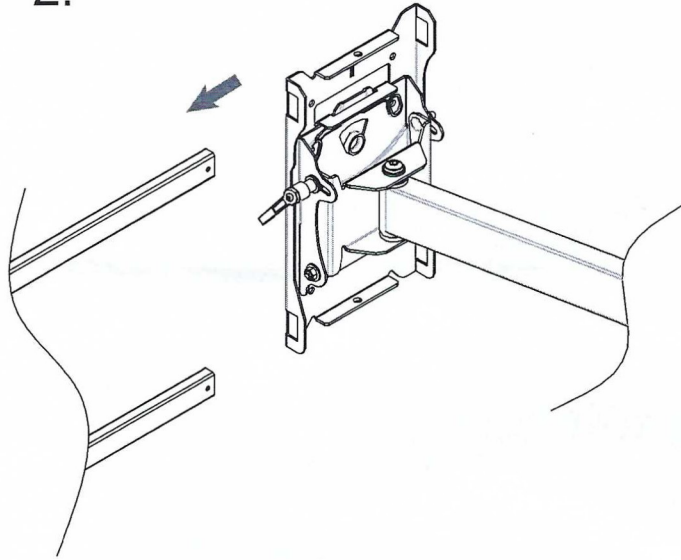
3b VESA(100X100 / 100X200)



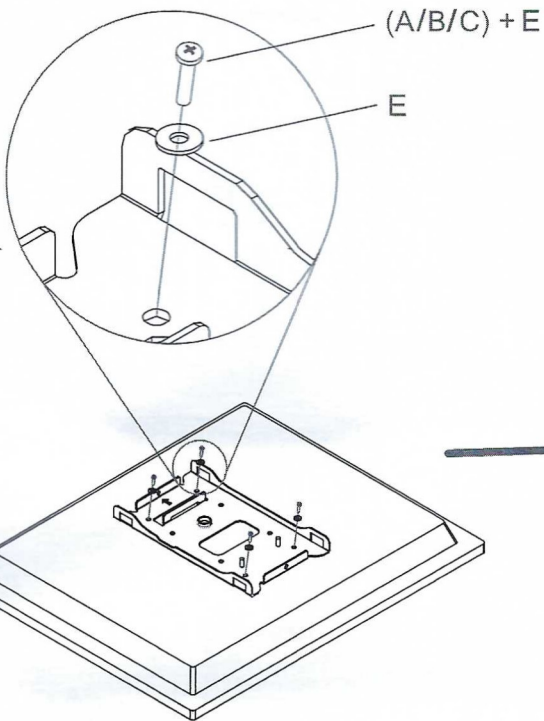
1.



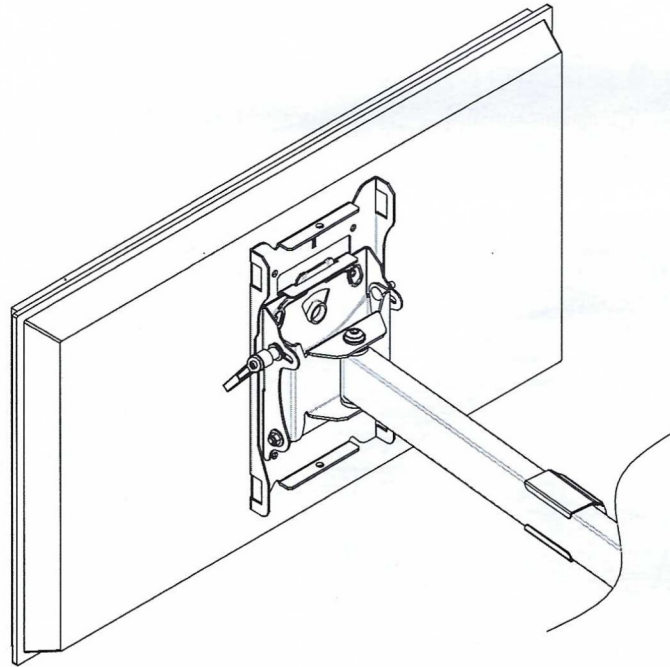
2.



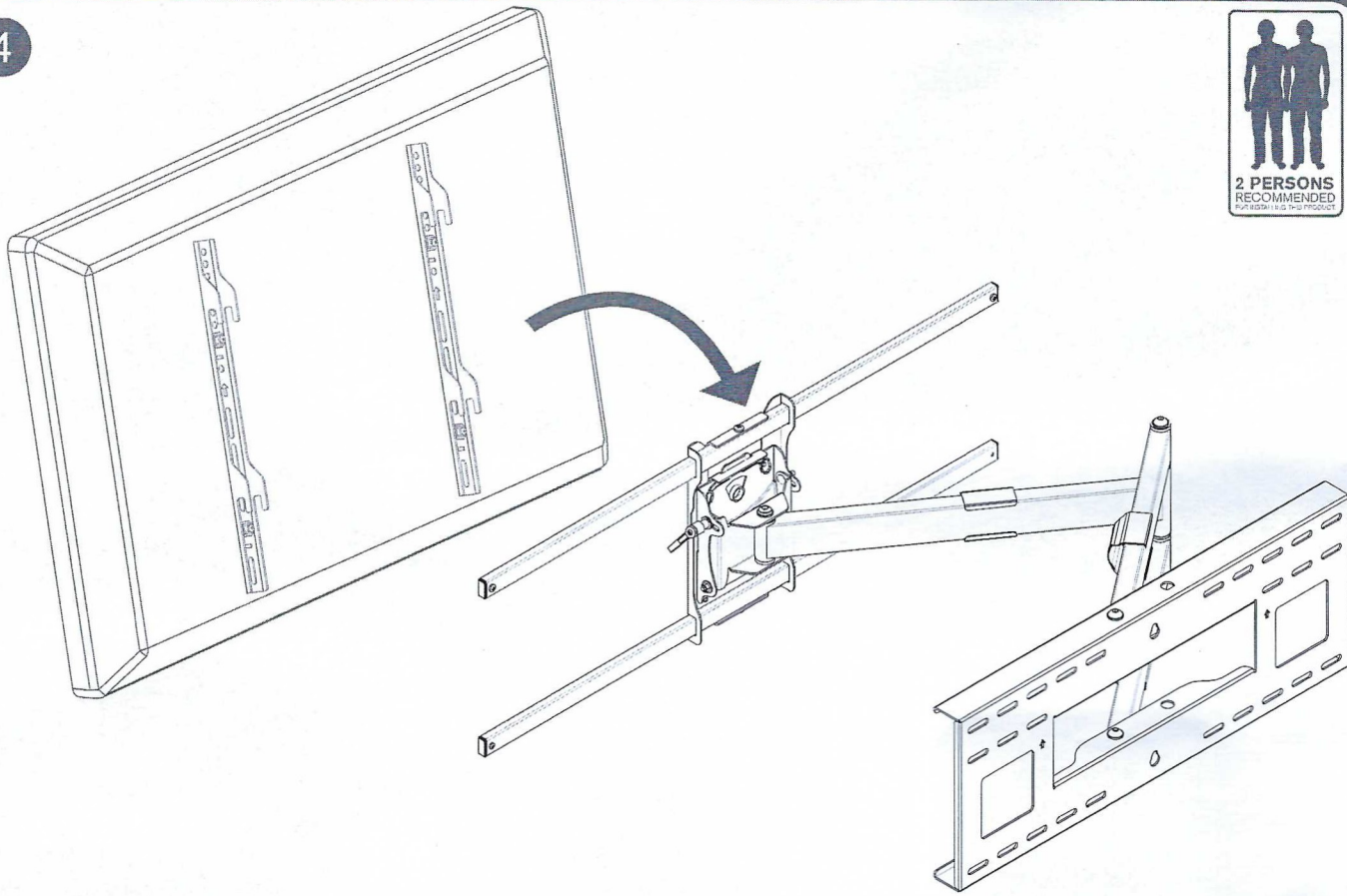
3.



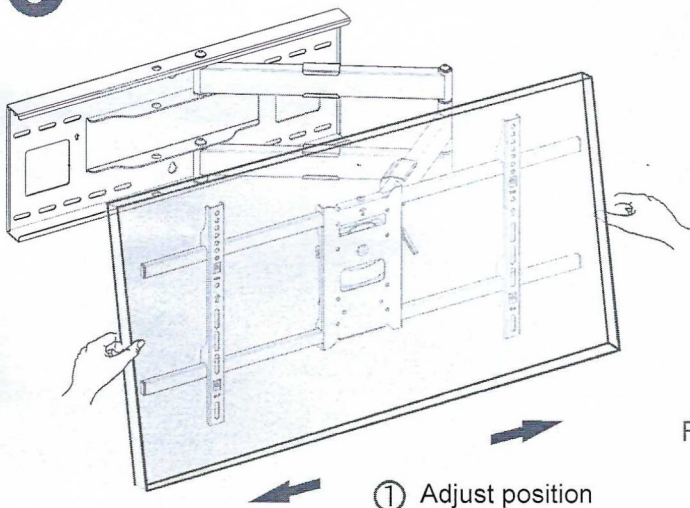
4.



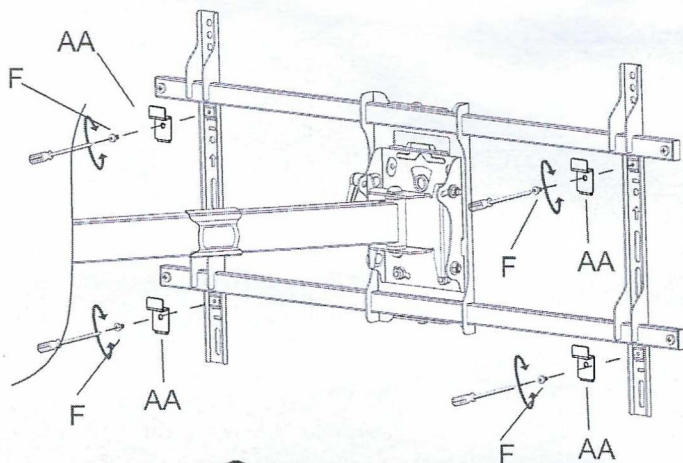
4



5



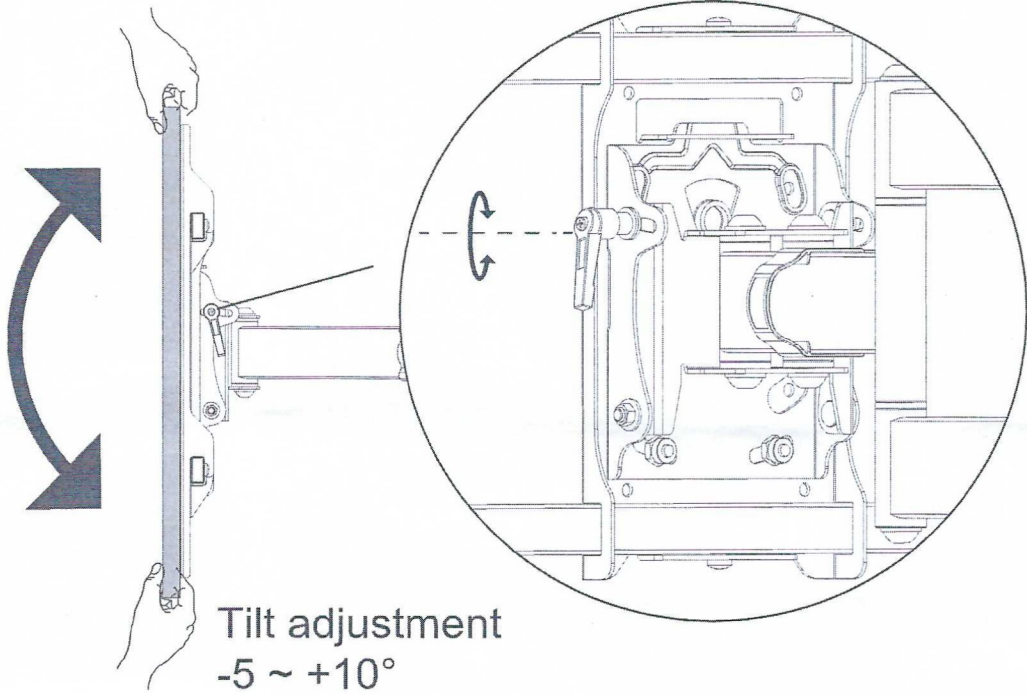
① Adjust position



② Fixed locking plate

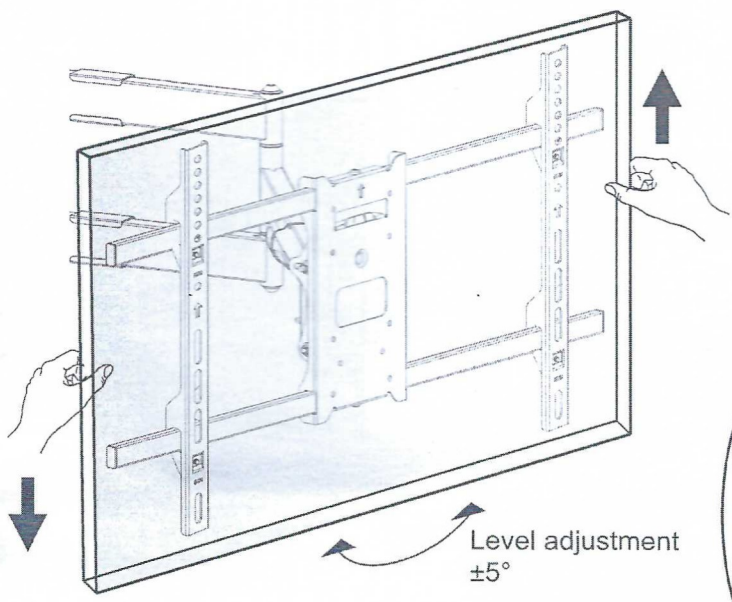


6



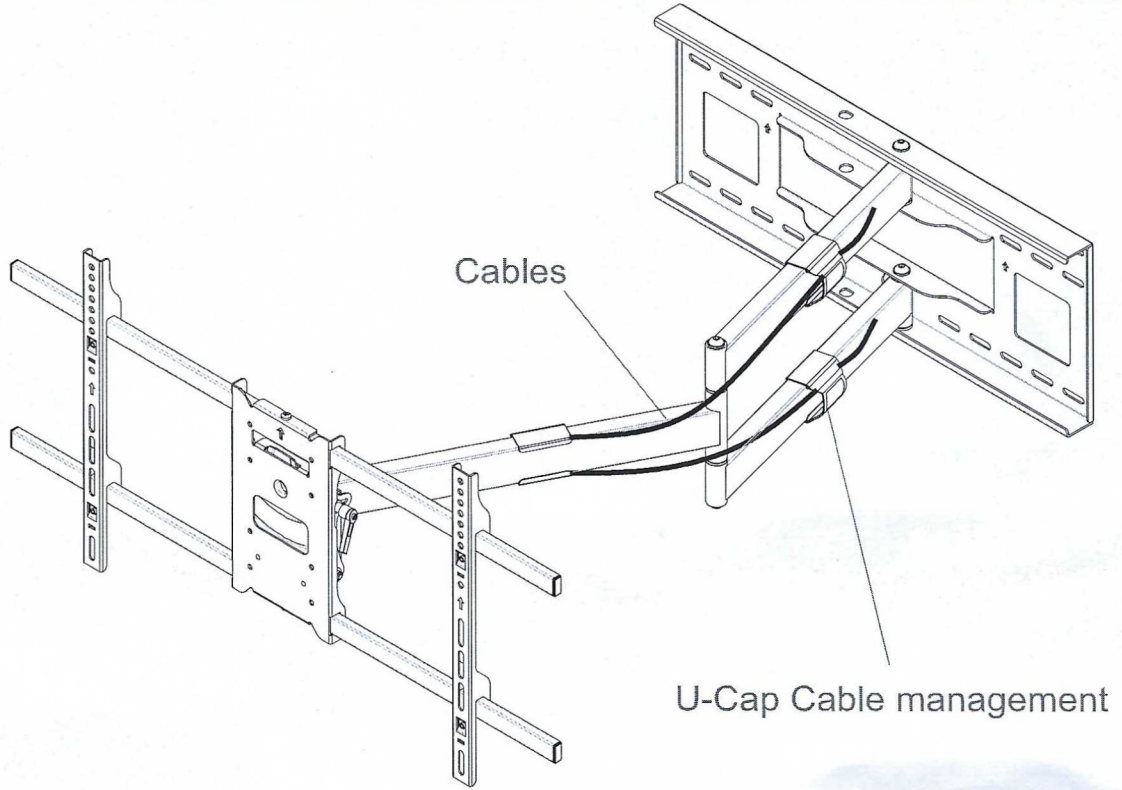
Tilt adjustment  
-5 ~ +10°

7



Level adjustment  
±5°





Dimensions (in mm)

