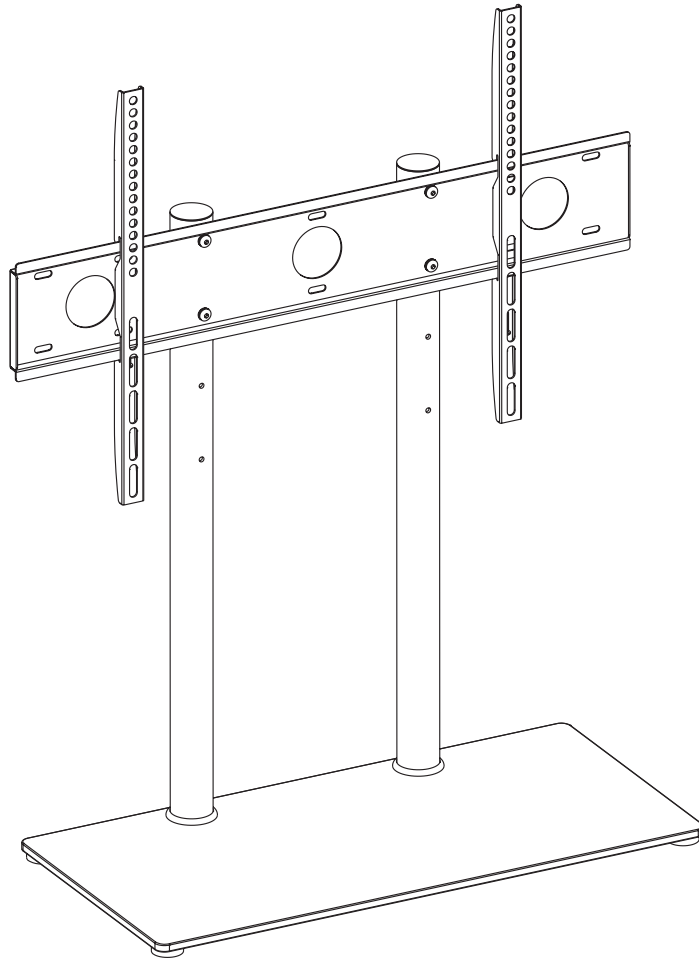


Installation Instruction



UNPACKING INSTRUCTIONS

- Carefully open the carton, remove contents and lay out on cardboard or other protective surface to avoid damage.
- Check package contents against the Supplied Parts List in the next page to assure that all components were received undamaged. Do not use damaged or defective parts.
- Carefully read all instructions before attempting installation.

IMPORTANT SAFETY INFORMATION

Install and operate this device with care. Please read this instruction before beginning the installation, and carefully follow all instructions contained herein. Use proper safety equipment during installation.

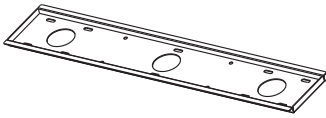
Please call a qualified installation contractor for help if you:

- If you don't understand these directions or have any doubts about the safety of the installation.
- If you are uncertain about the nature of your wall, consult a qualified installation contractor.

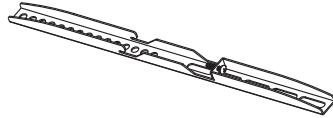
Do not use this product for any purpose or in any configuration not explicitly specified in this instruction. We hereby disclaim any and all liability for injury or damage arising from incorrect assembly, incorrect mounting, or incorrect use of this product.

Note: The mounting components and hardware supplied in this package are not designed for installations to walls with steel studs or to cinder block walls. If the hardware you need for your installation is not included, please consult your local hardware store for proper mounting hardware for the application.

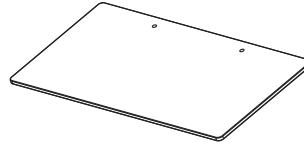
Supplied Parts List



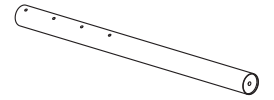
(1)TV Plate



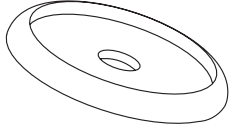
(2)Monitor Bracket



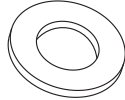
(1)Tempered Glass



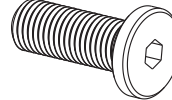
(2)Support Pole



(2)Plastic Socket



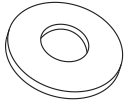
(2)M8 Metal Washer



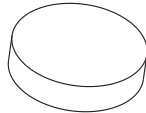
(2)M8x22 Bolt



(4)M6x10 Bolt



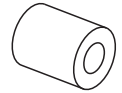
(4)M6 Metal Washer



(4)Rubber Foot



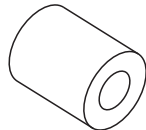
(1)Allen Key



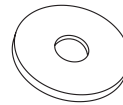
(4)M4 Spacer-A



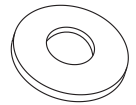
(8)5mm M6/M8
Spacer-B



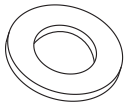
(4)20mm M6/M8
Spacer-C



(4)M4 Washer-D



(4)M6 Washer-E



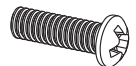
(4)M8 Washer-F



(4)M4x12 Bolt-G



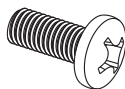
(4)M4x30 Bolt-H



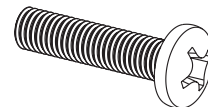
(4)M6x20 Bolt-J



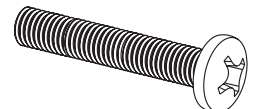
(4)M6x35 Bolt-K



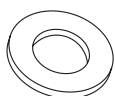
(4)M8x20 Bolt-L



(4)M8x35 Bolt-M



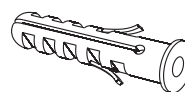
(4)M8x45 Bolt-N



(1)Lag Bolt
Washer-X



(1)M6x45mm
Lag Bolt-Y



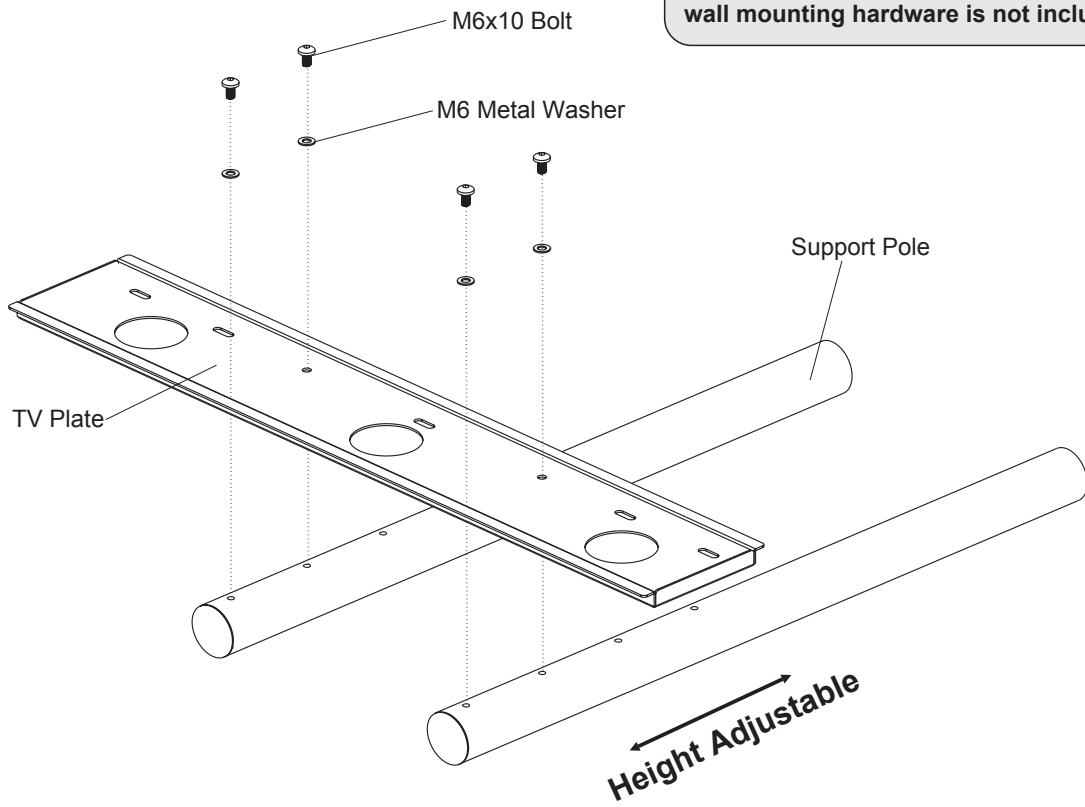
(1)M8x40mm
Concrete Anchor-Z



(1)Security Wire

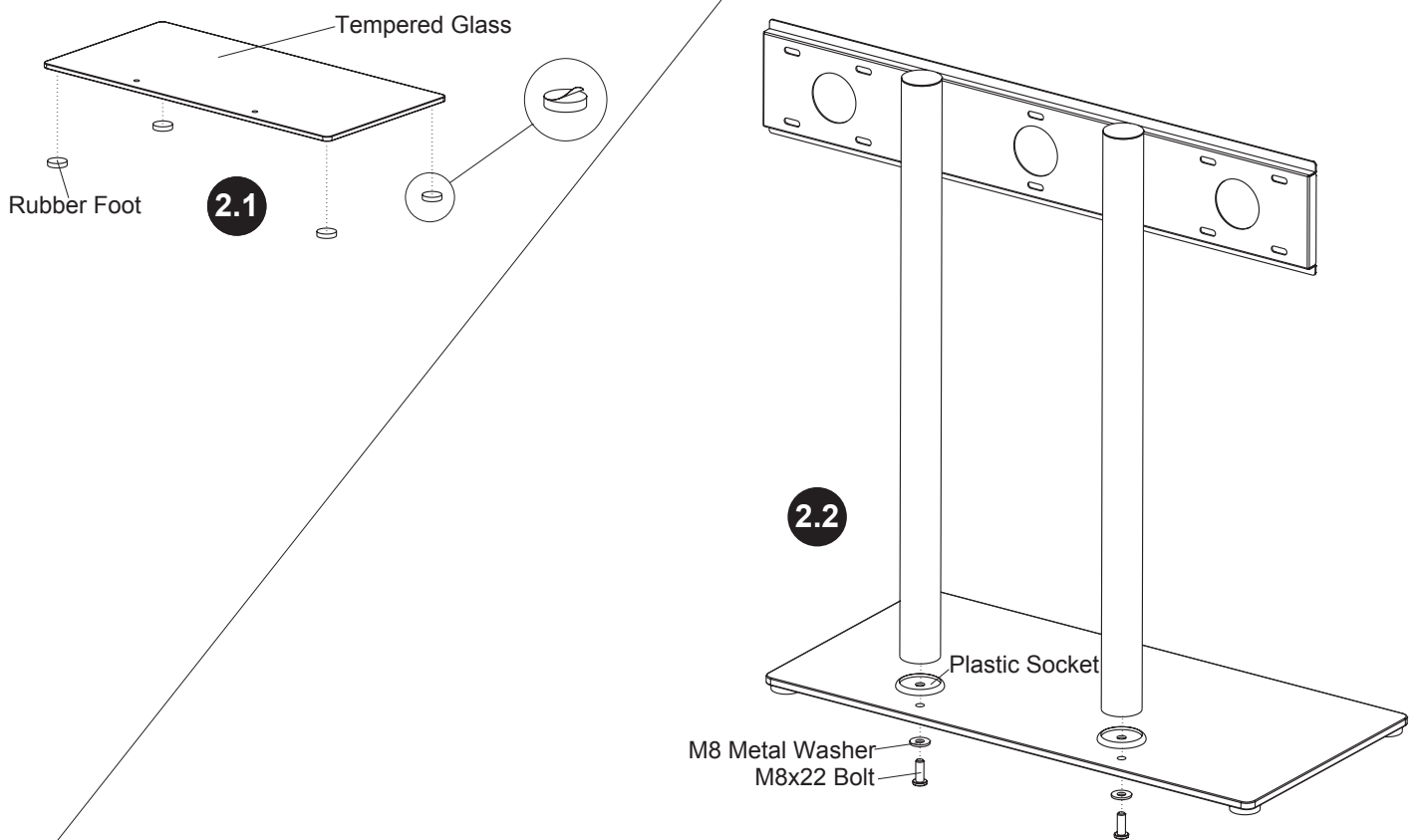
Step 1

Connecting the TV Plate to Support Poles



Step 2

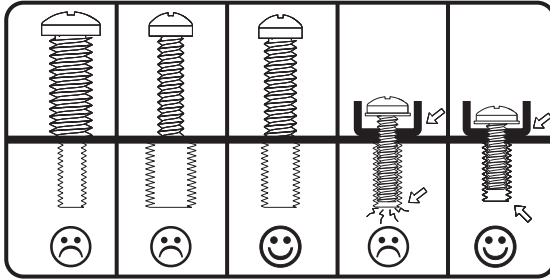
Connecting the Support Poles to Tempered Glass



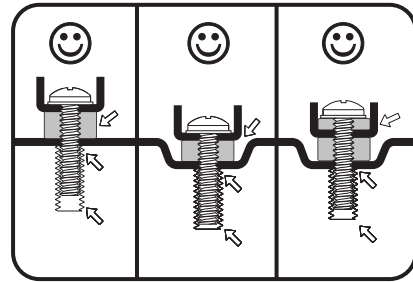
Step 3

Mounting the Monitor Brackets to a TV

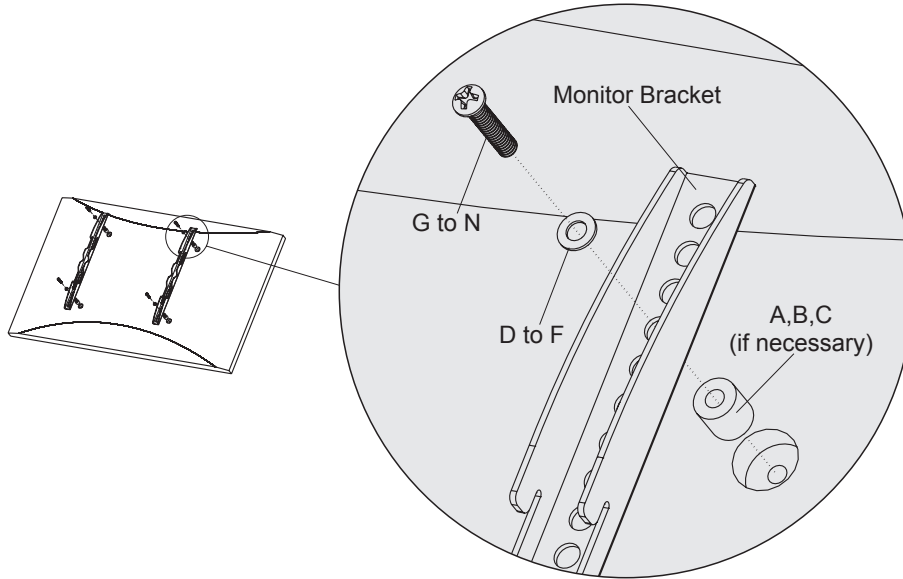
3.1 G/H/J/K/L/M/N



3.2 A/B/C (Optional)



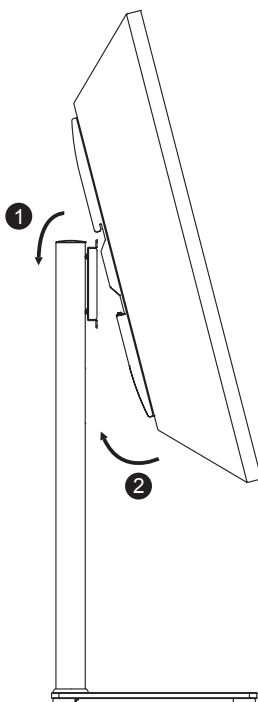
3.3



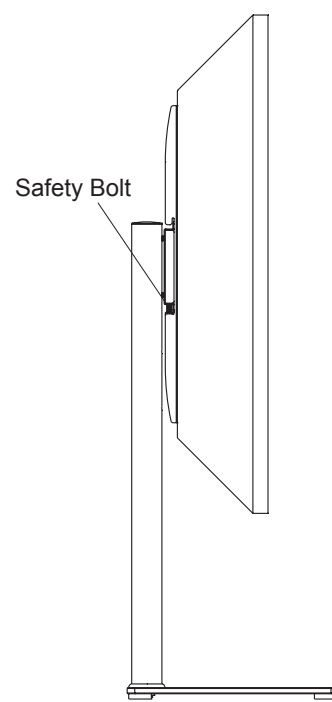
Step 4

Attaching TV To TV Plate

4.1



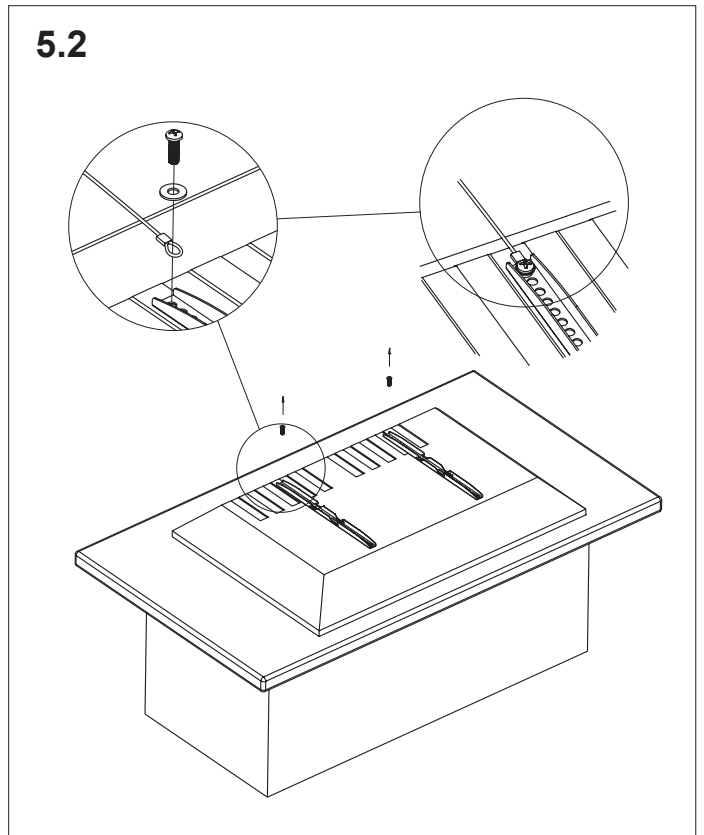
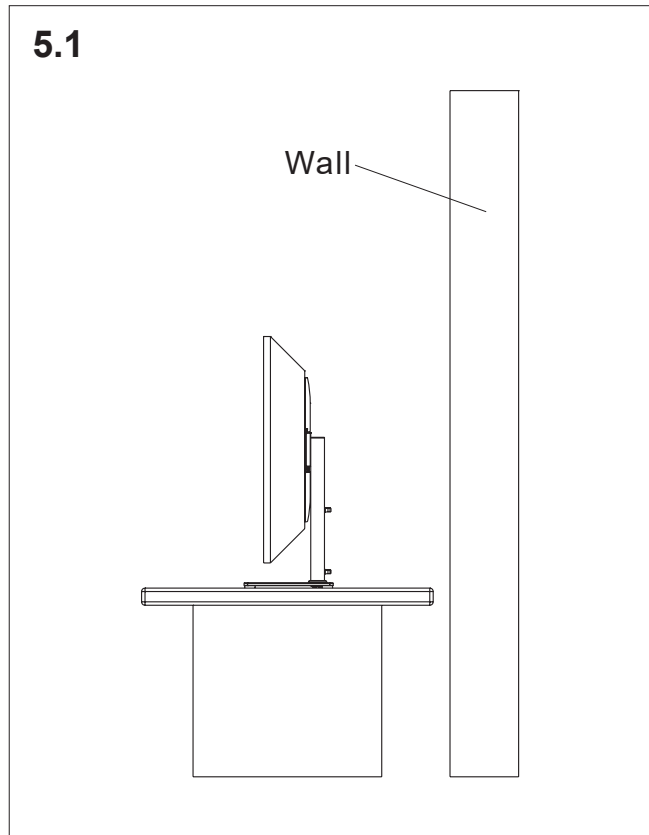
4.2



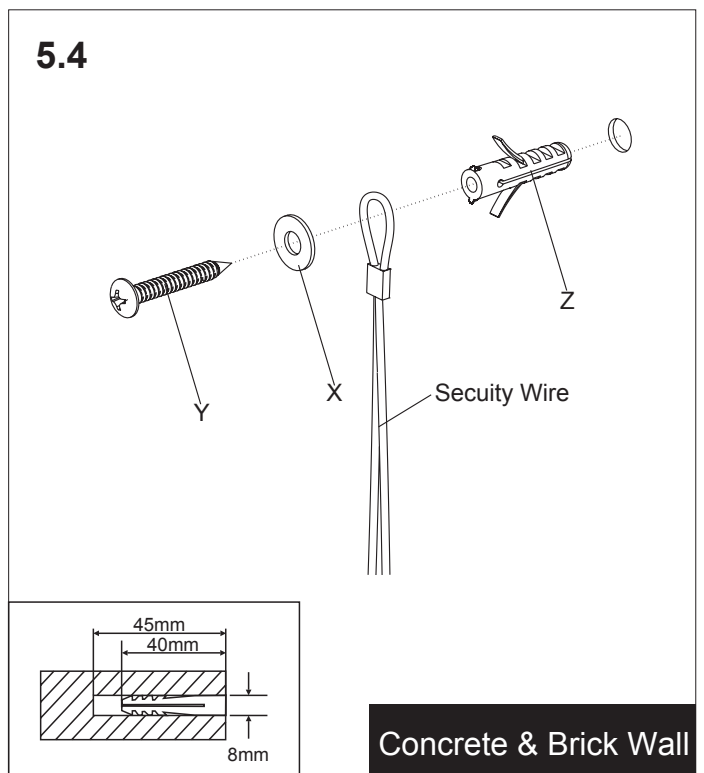
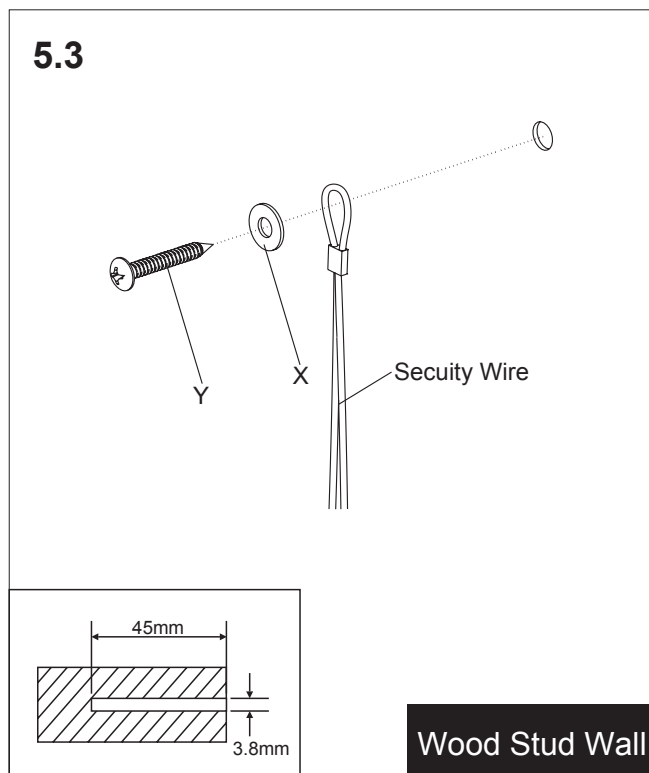
Step 5

Attaching the Security Steel Wire to the TV

If your TV is located nearby the wall as the 5.1, then a steel wire can be attached for added security. Attaching the two ends of steel wire to the top two holes on the back of TV, shown in 5.2.



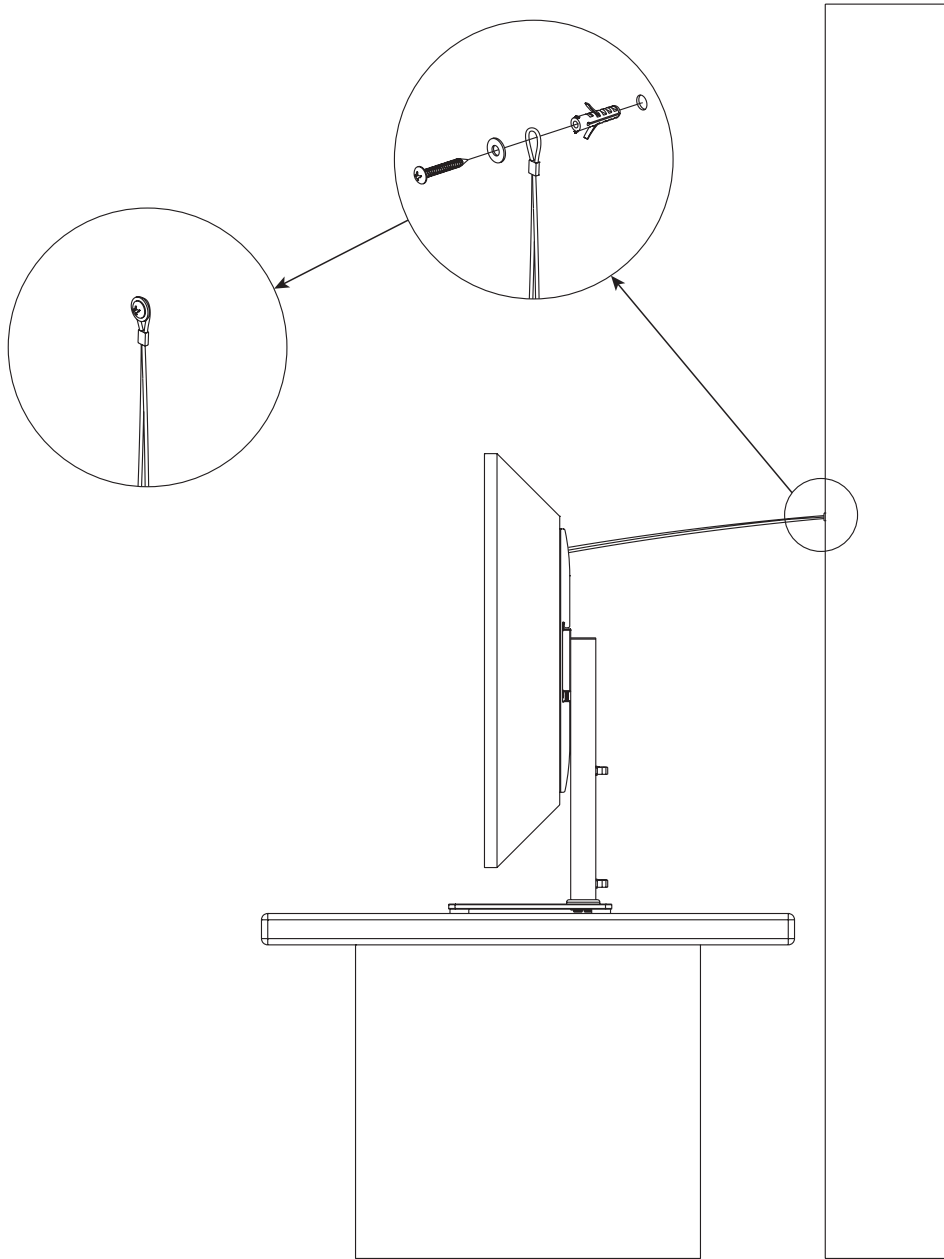
Attaching the another end of steel wire to the wall according to your wall type, shown in 5.3, 5.4 and 5.5.



Step 5

Attaching the Security Steel Wire to the TV

5.5



Thank you for choosing our products.