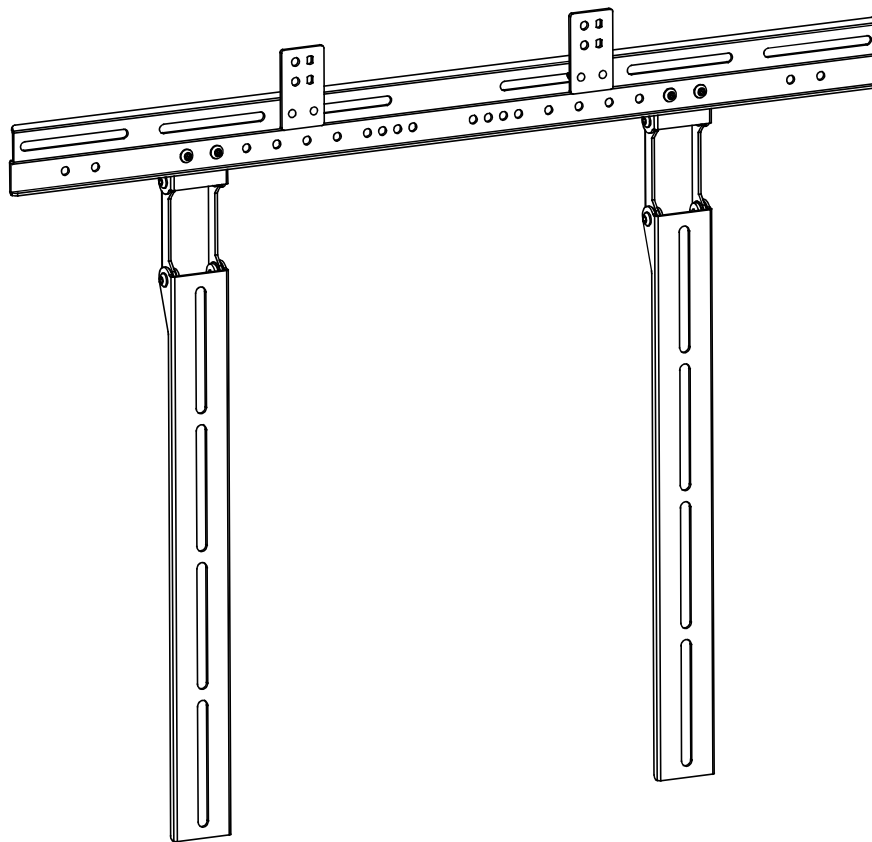


Installation Instruction



UNPACKING INSTRUCTIONS

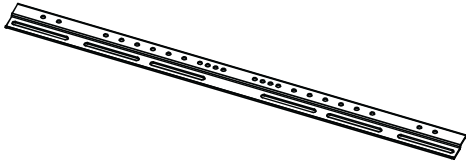
- Carefully open the carton, remove contents and lay out on cardboard or other protective surface to avoid damage.
- Check package contents against the Supplied Parts List in the next page to assure that all components were received undamaged. Do not use damaged or defective parts.
- Carefully read all instructions before attempting installation.

IMPORTANT SAFETY INFORMATION

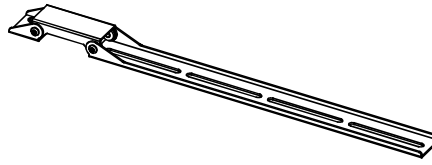
- Install and operate this device with care. Please read this instruction before installation, and carefully follow all instructions contained herein. Use proper safety equipment during installation.
- Please call a qualified installation contractor for help if you don't understand these directions or have any doubts about the safety of the installation.

Do not use this product for any purpose or in any configuration not explicitly specified in this instruction. We hereby disclaims any and all liability for injury or damage arising from incorrect assembly, incorrect mounting, or incorrect use of this product.

Supplied Parts List



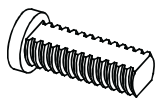
(1) Horizontal Bar-a



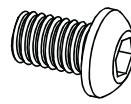
(2) Vertical Bar-b



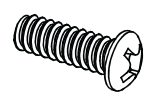
(6) M6 Nut-d



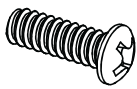
(2) M6x16 Bolt-e
Flat head



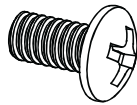
(4) M6x12 Bolt-f
Allen Head



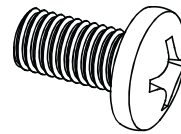
(2) M4x16 Bolt-g



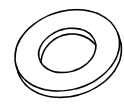
(2) M5x16 Bolt-h



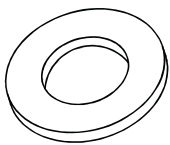
(2) M6x20 Bolt-i



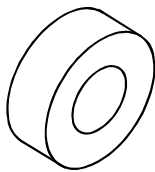
(2) M8x20 Bolt-j



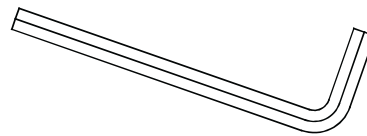
(2) M5 Washer-k



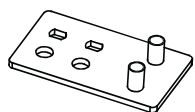
(2) M8 Washer-l
2mm thickness



(2) Plastic Spacer-m
5mm thickness



(1) Allen Key-n



(2) Sliding Plate-c

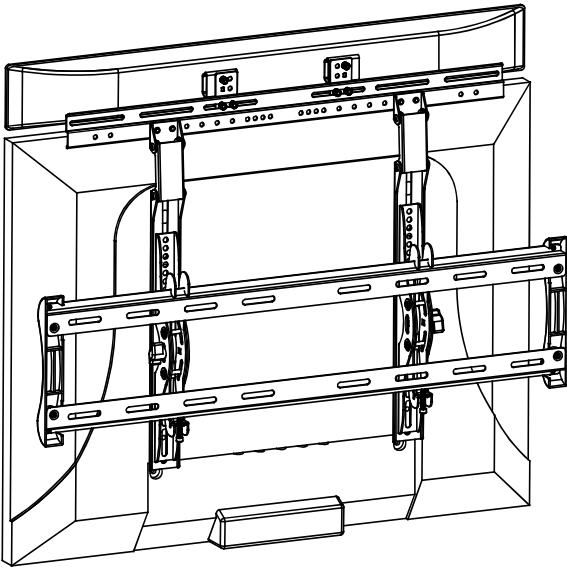


(1 x L & 1 x R) Bottom Mount Plate-c

Before Starting

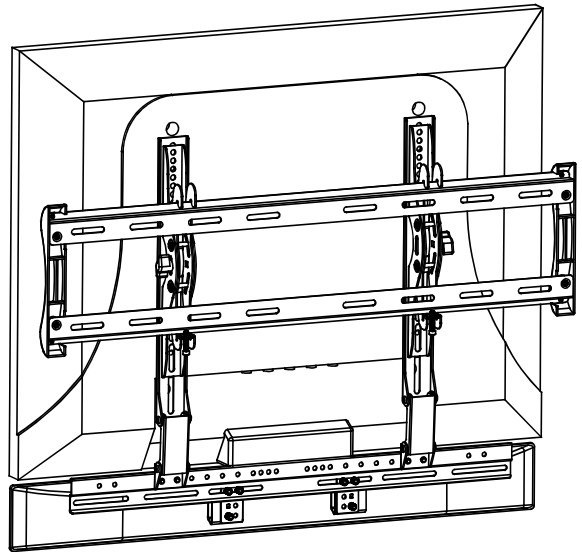
There are few methods to install your soundbar with soundbar mount

Option A



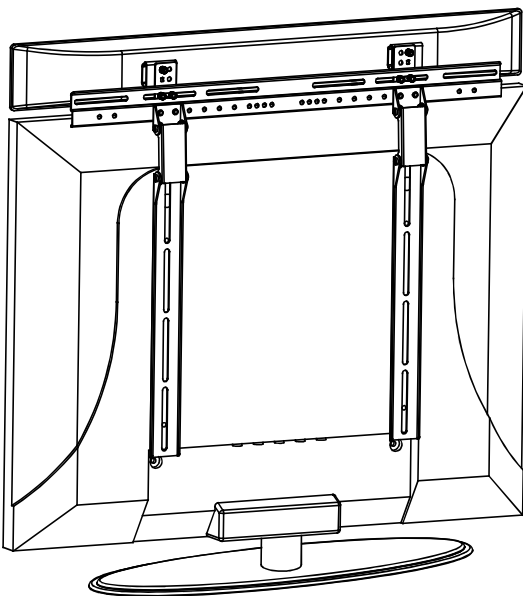
Install soundbar mount and TV mount together on the wall, soundbar located at the top of TV.

Option B



Install soundbar mount and TV mount together on the wall, soundbar located at the bottom of TV.

Option C



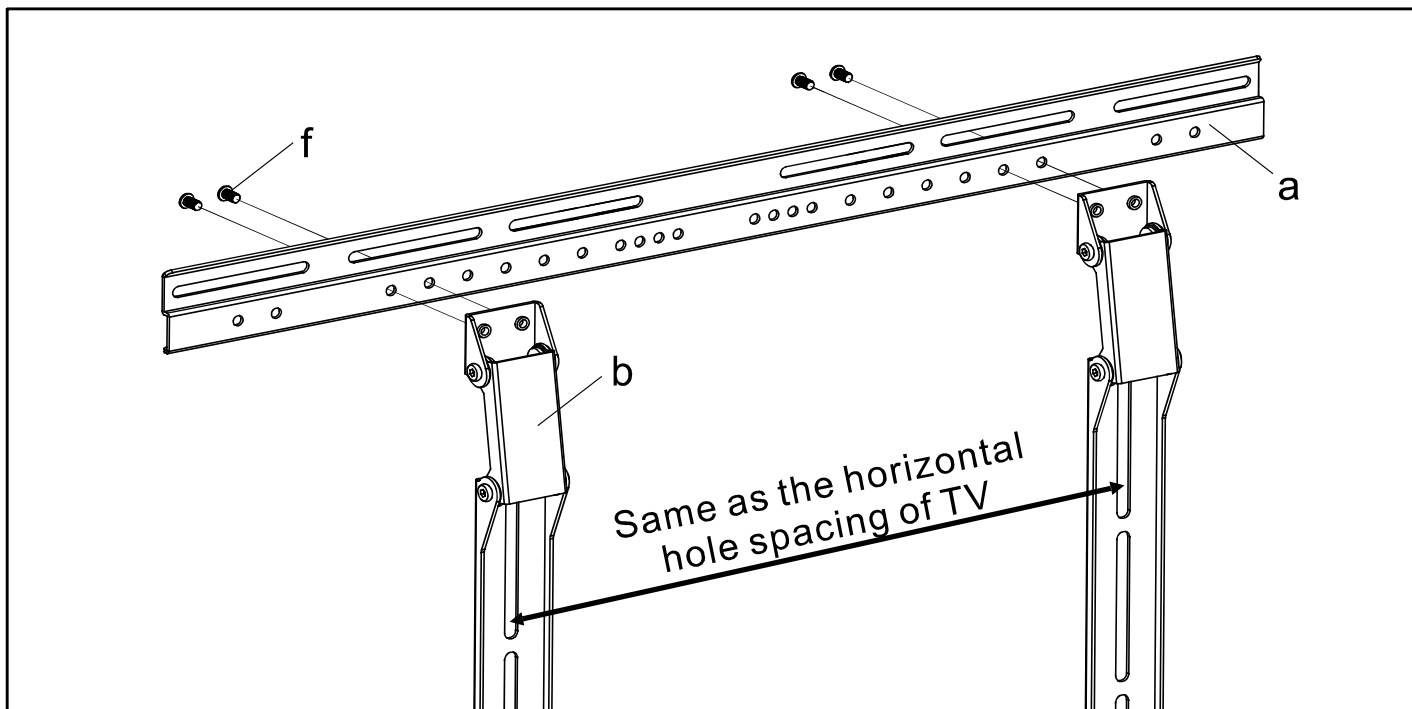
Put TV on the table. Install soundbar mount on the back of TV. Soundbar located at the top of TV.

For Option A and B, please follow the step 1, 2, 3 and 4B.

For Option C, please follow the step 1, 2, 3 and 4A.

Step 1

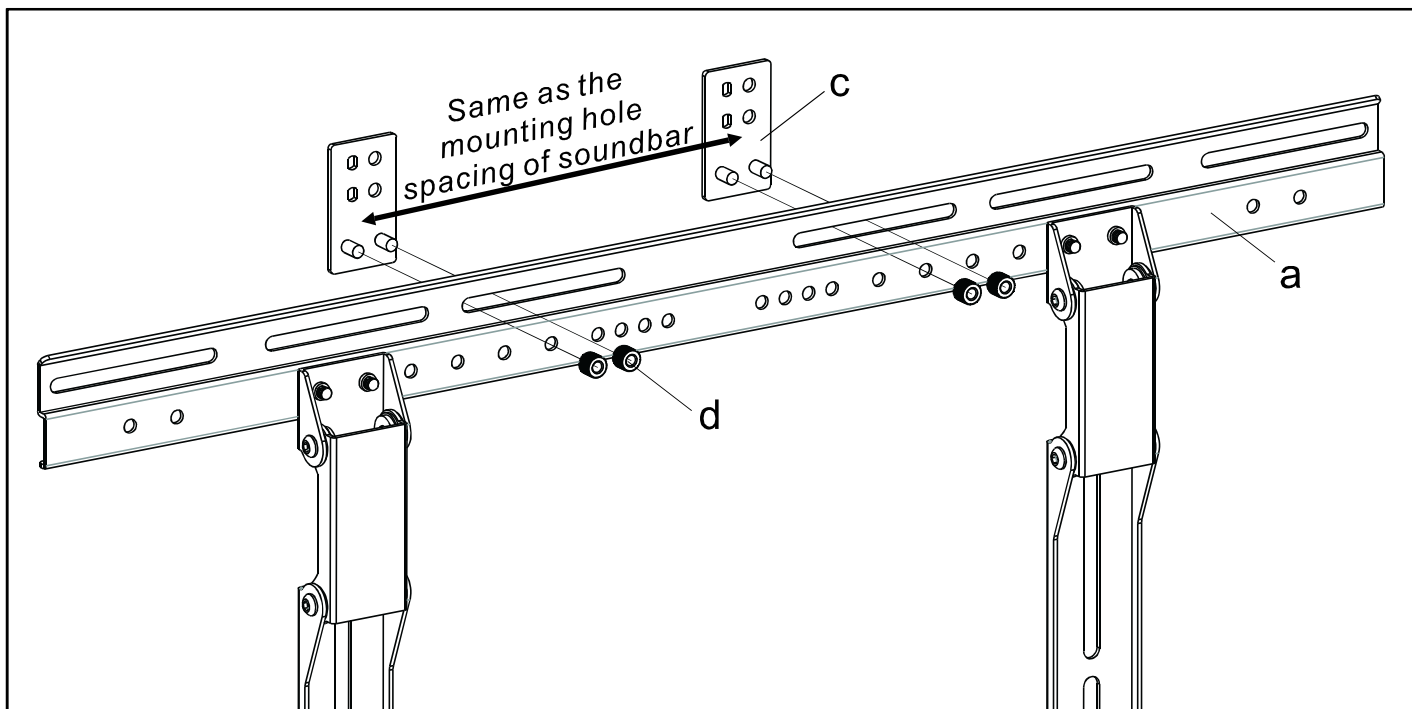
Connect the horizontal bar and vertical bars



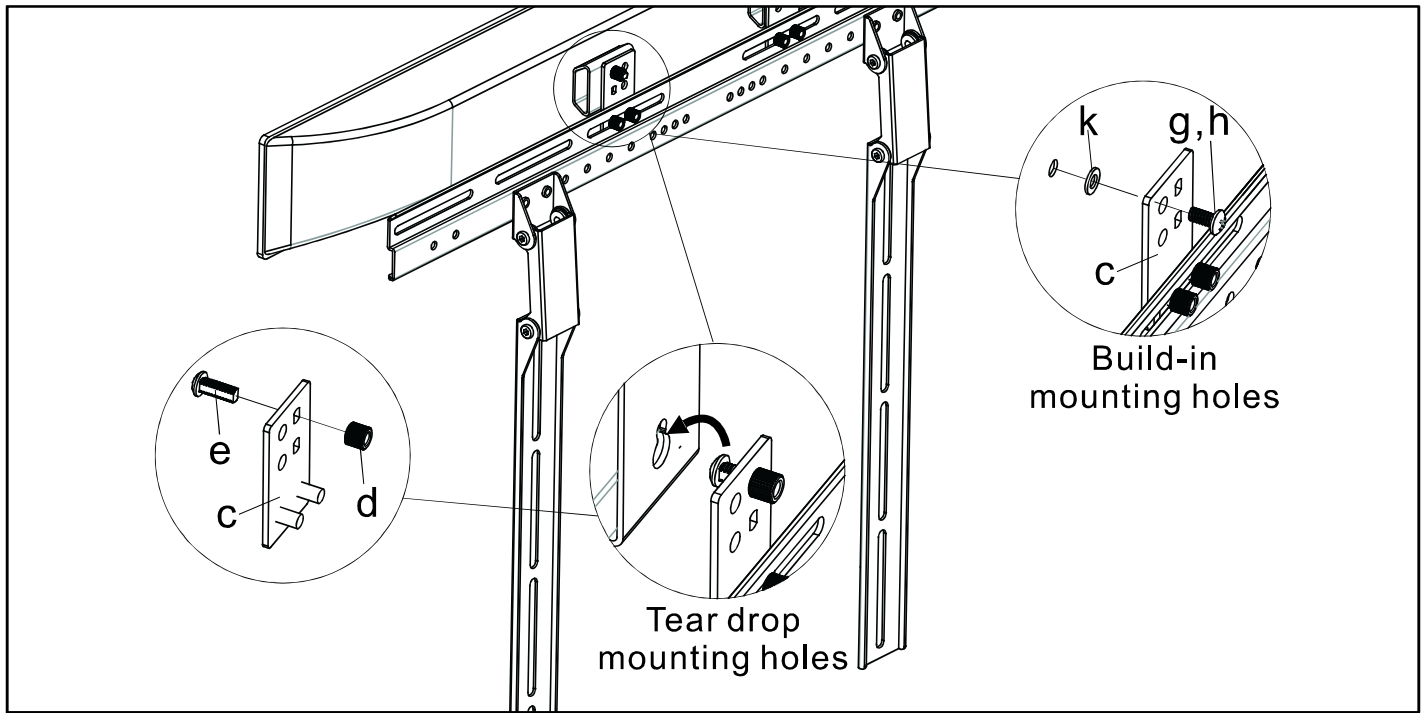
Measure the horizontal mounting hole spacing of the TV, make sure the center to center distance of Vertical Bar(b) is same as the hole spacing of the TV. Connect the Horizontal Bar(a) and Vertical Bar(b) with 4 pieces M6x12 Allen Head Bolt(f), using the Allen Key(n) provided.

Step 2

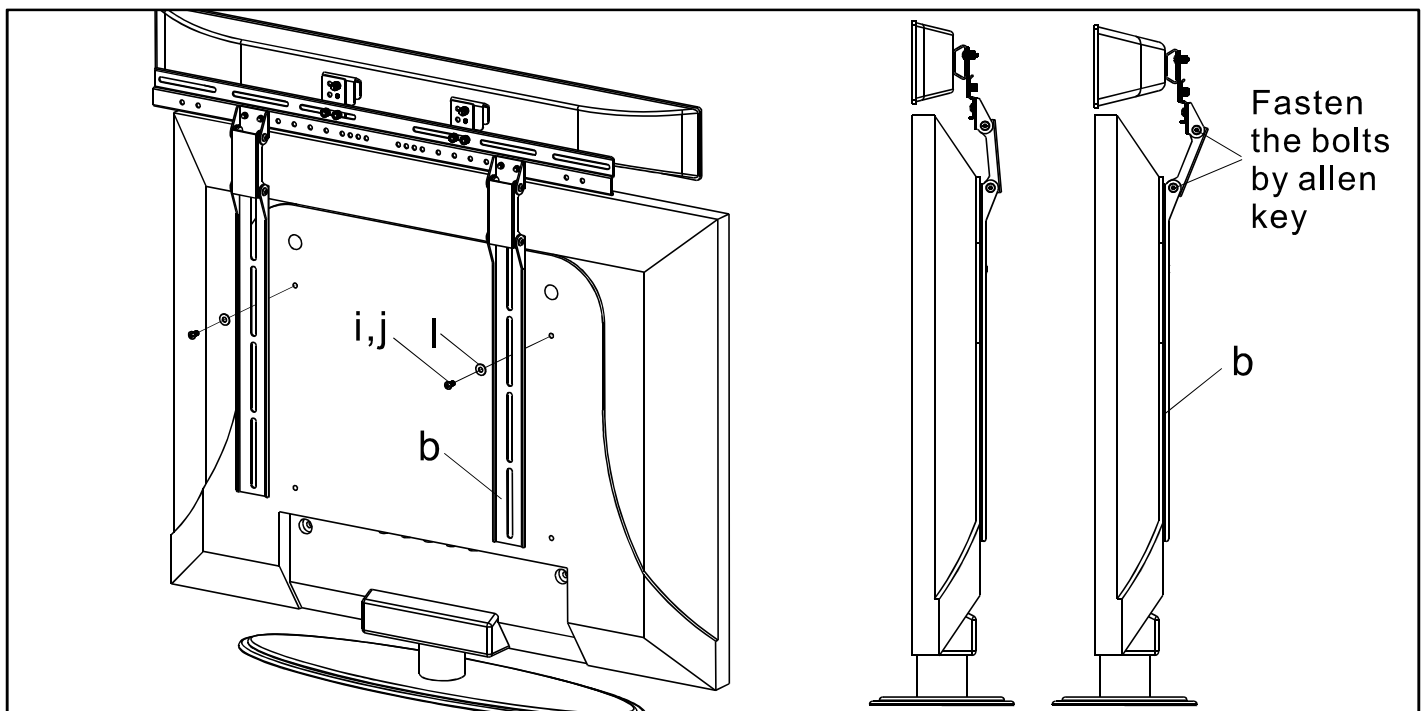
Attach the sliding or bottom mount plates to the horizontal bar



Measure the mounting hole spacing of the soundbar. Then attach the Sliding Plates(c) onto the Horizontal Bar(a) with 4 pieces M6 Nuts(d), but do not tighten them. As the position of Sliding Plates(c) need to be adjusted a little bit according to the mounting hole spacing of the soundbar in the next step.

Step 3**Install the soundbar to the sliding or bottom mount plates**

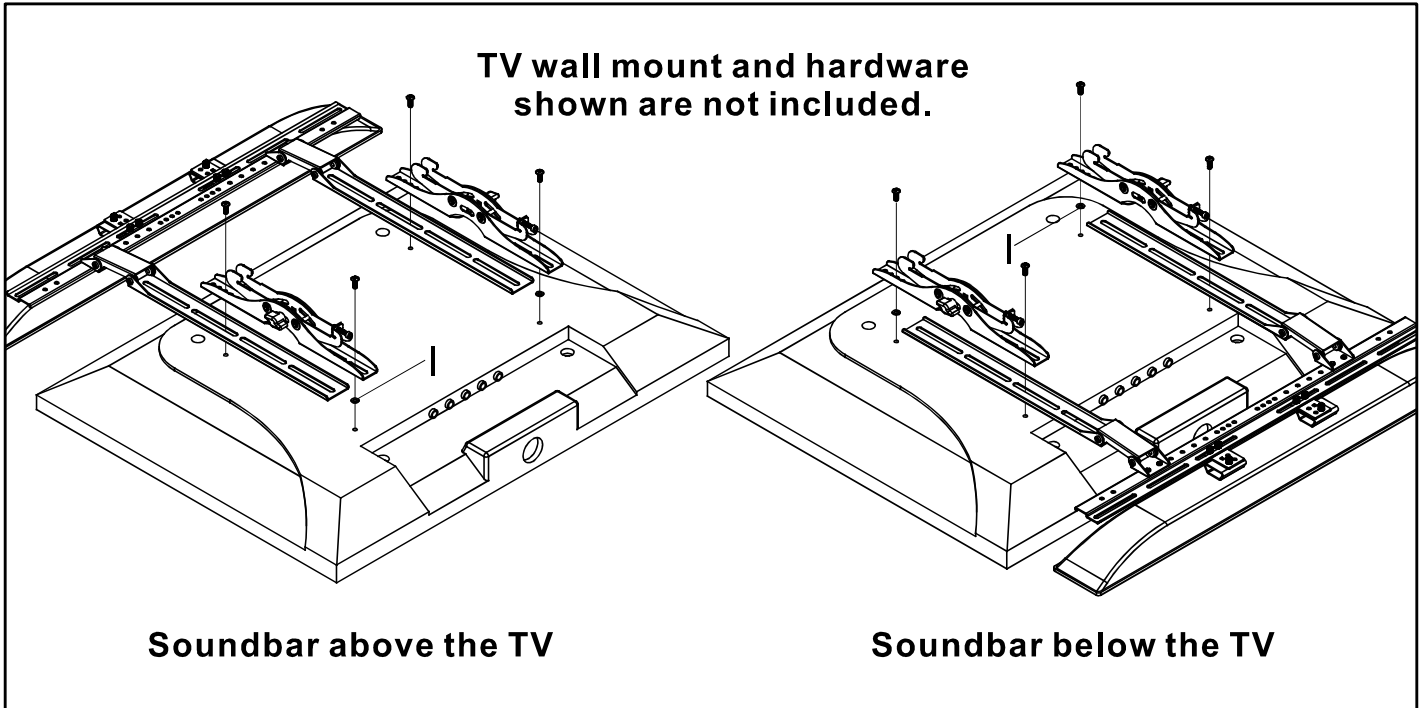
For a soundbar with tear drop mounting holes, attach Sliding or Bottom Mount Plates (c) to the soundbar with M6x16 Flat Head Bolt(e) and M6 Nut(d). For a soundbar with built-in mounting holes, attach the Sliding or Bottom Mount Plates(c) to the soundbar with Bolts(g or h) and Washers(k). Tighten the 4 pieces M6 Nut(d) from last step.

Step 4A**Attach the vertical bars to the back of TV(For TV on table)**

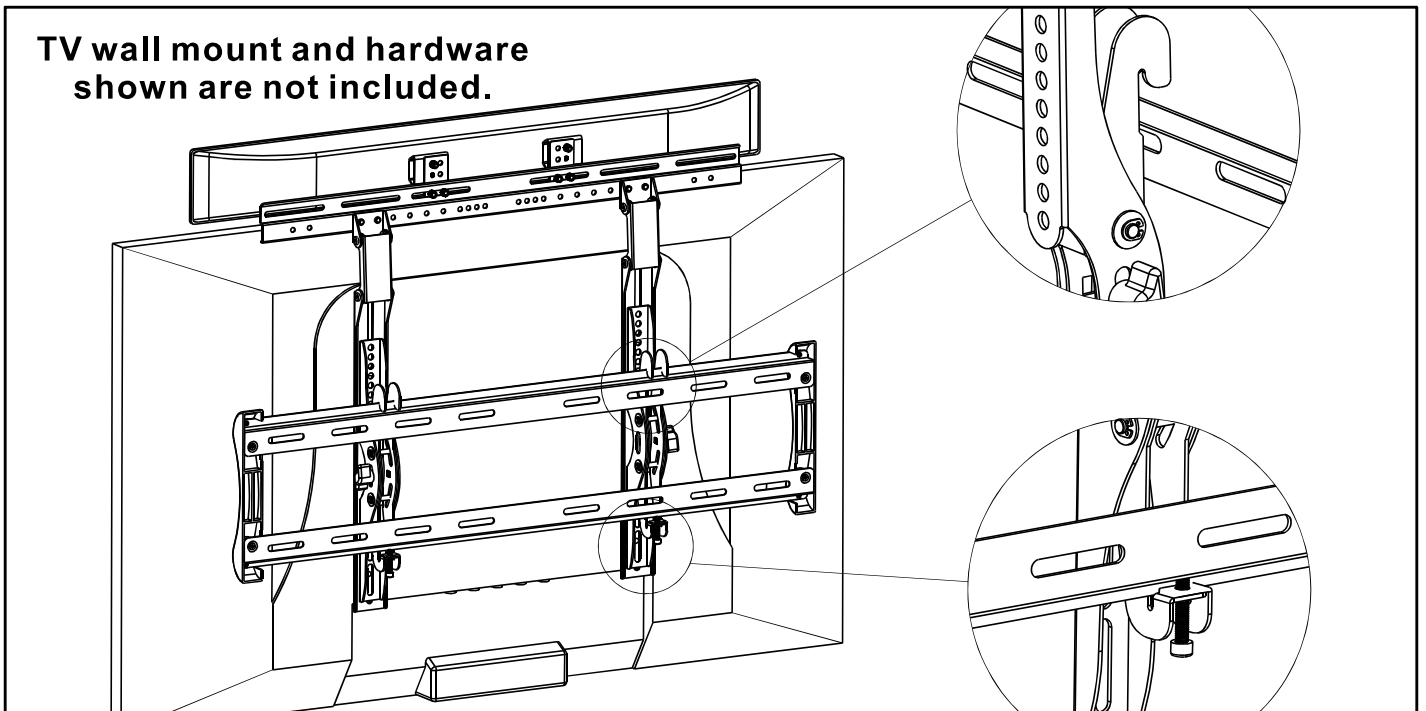
Attach Vertical Bars(b) to the back of TV with Bolts(i or j) and washers(l), using the Spacers(m) if the bolts are too long. Adjust the soundbar position as shown above. Fasten the bolts on the Vertical Bars(b) by provided Allen Key(n).

Step 4B

Attach the vertical bars to the back of TV(For TV on wall)



If you are installing the soundbar mount and TV mount together on the wall, attach both mounts to the back of TV using bolts from TV mounts. If Vertical Bars(b) do not extend over the bottom or top two TV mounting holes, use 2mm thickness M8 Washer(I). The soundbar can be mounted above or below the TV as shown.



Thank you for choosing our products!