

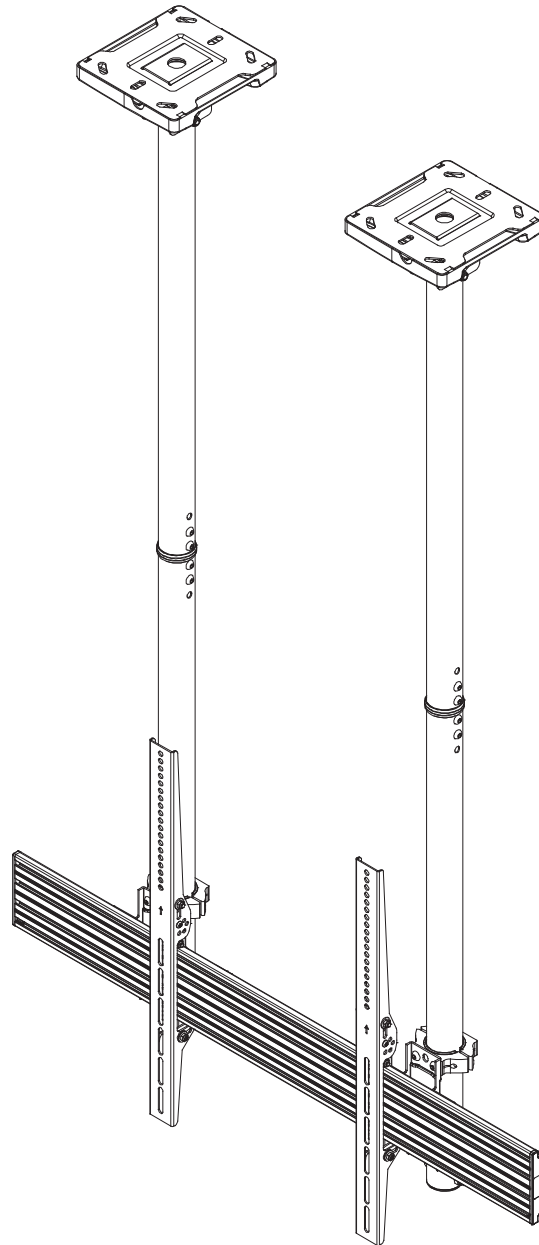
INSTALLATION GUIDE

LCM1USD-T600

Support 40" to 100" Screen Size

Max Load Capacity: 297lbs (135 kg)

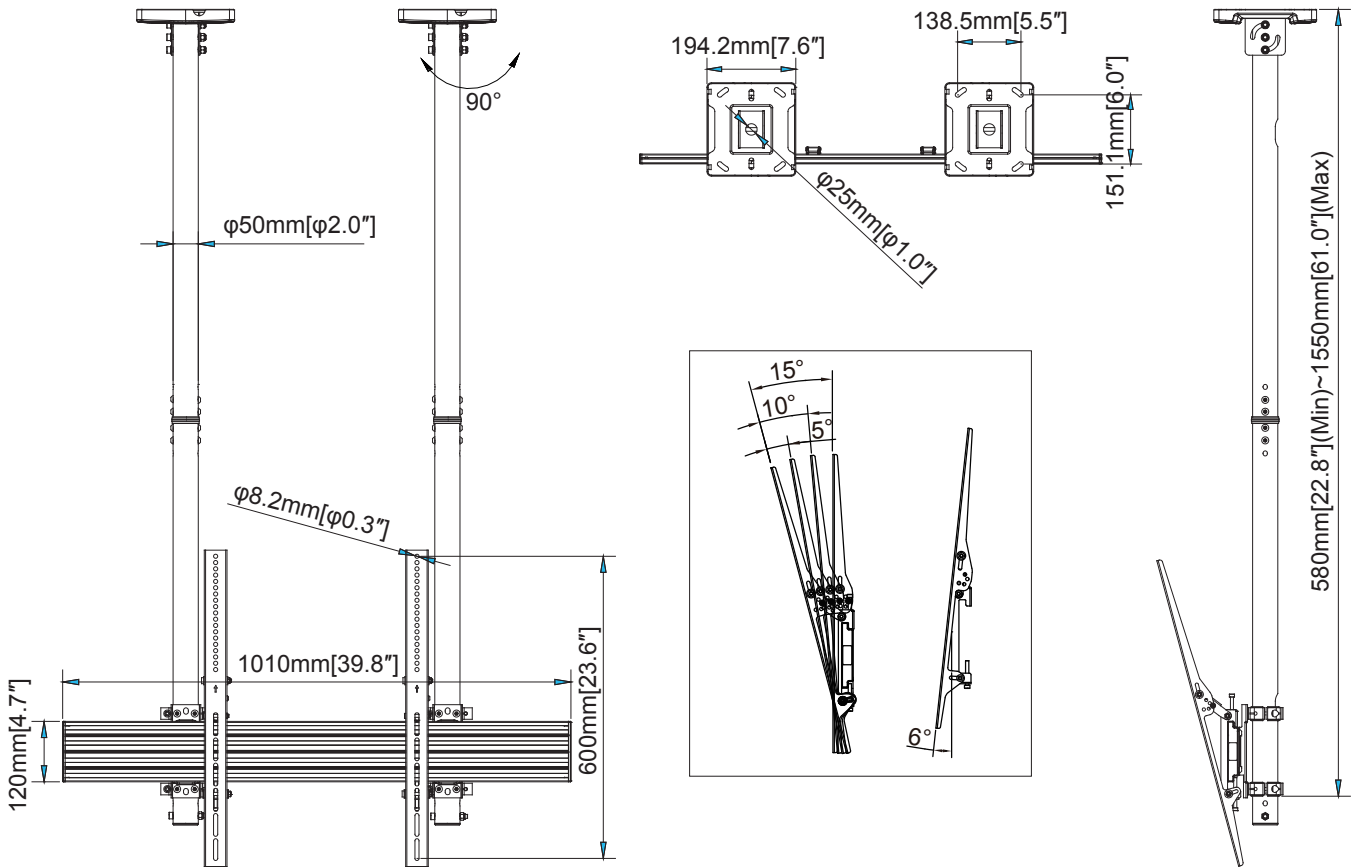
VESA 100x100mm / 900x600mm compatible



⚠ WARNING

- Be sure to read this entire manual thoroughly and you fully understand all the instructions and warning before attempting to begin your installation.
- This product should only be installed by someone who has a basic knowledge of building construction, installations and fully understands these instructions.
- Always have someone assist you to lift and position your equipment.
- Tighten screws and bolts firmly, but do not over tighten. Over tightening can damage the items and greatly reduce their ability to hold. Please refer to suggested torque values where applicable in these instructions.

Dimensions



Parts list

A1	A2	A3	A4
M5X15	M6X15	M8X15	$\phi 16\text{X}\phi 6.2\text{X}1.5$
X4	X4	X4	X4

X1

B1	B2	B3	B4	B5
M8	M8X10	Open-wrench	5mm	6mm
X8	X8	X1	X1	X1

X1

C1	C2	C3	C4	C5	C6
M8X70	$\phi 16\text{X}\phi 8.2\text{X}1.5$	M8X60	M8	Lag bolt	$\phi 16\text{X}\phi 8.2\text{X}1.5$
X3	X6	X1	X4	X6	X6

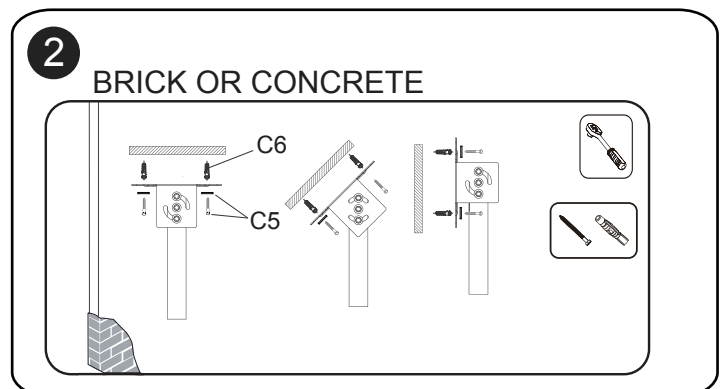
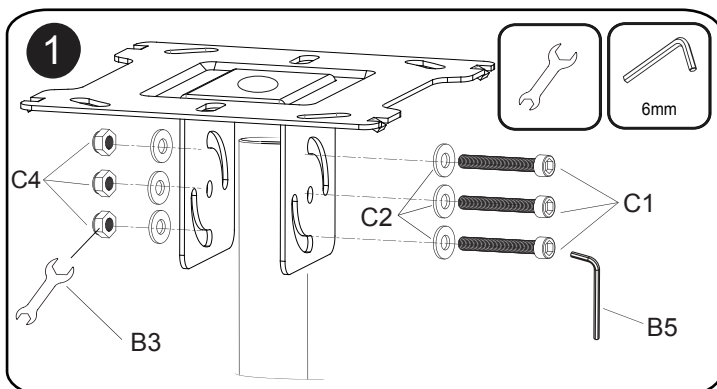
X2

D1	D2	D3
	M8X10	
X2	X8	X1

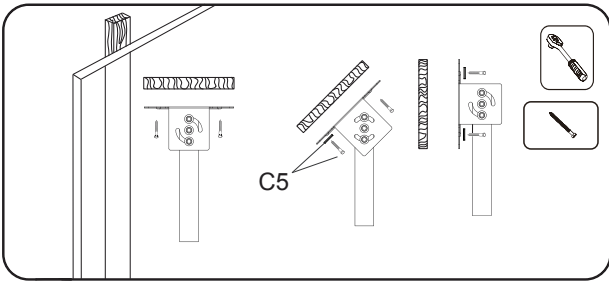
X2

D4	D5	D6	D7	D8	D9	D10	D11	D12
X2	X4	800 X4	1000mm X1	X2	600T X2	M5 X2	X2	X2

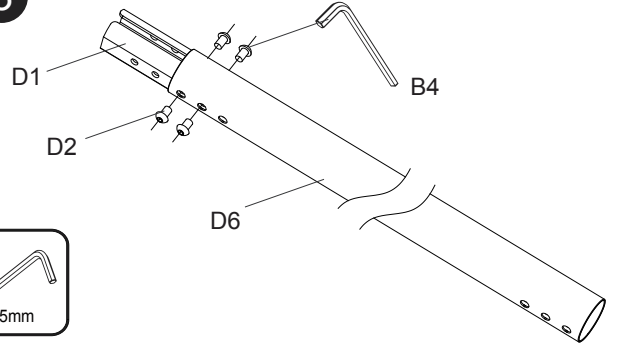
Installation



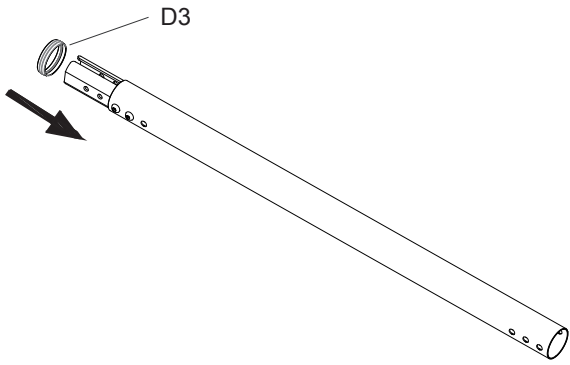
2 WOOD



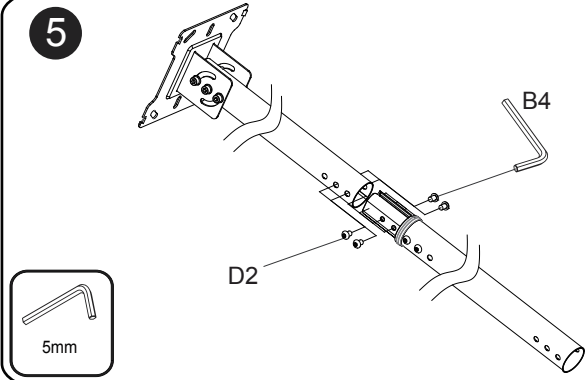
3



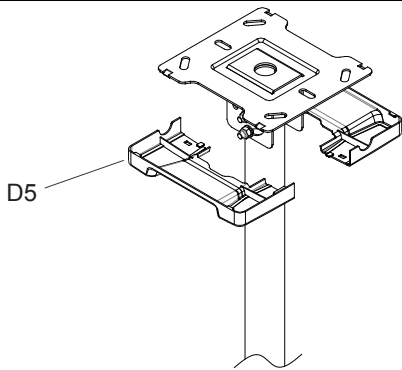
4



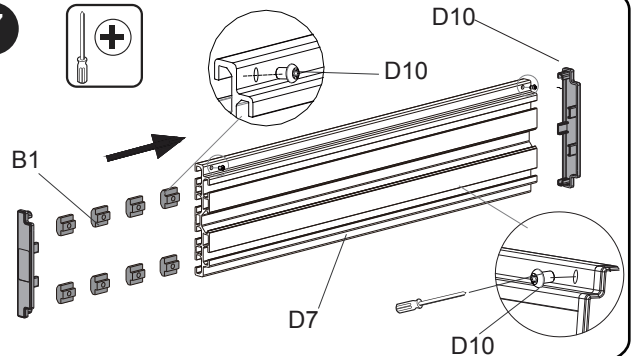
5



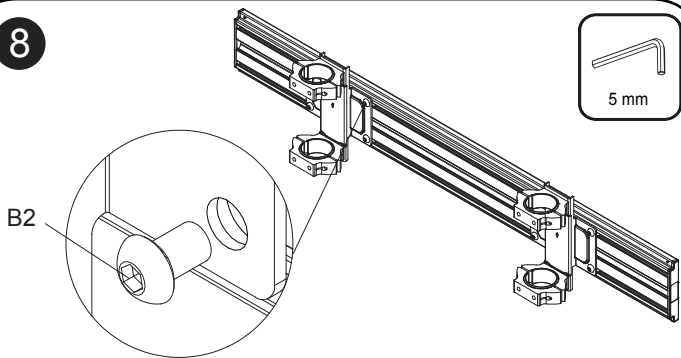
6



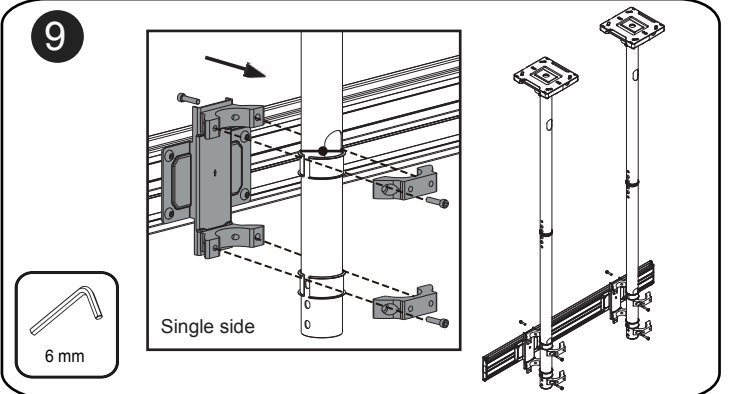
7



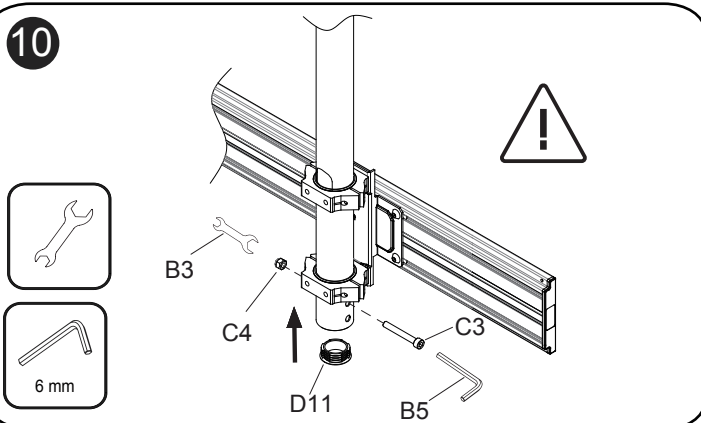
8



9



10



11

