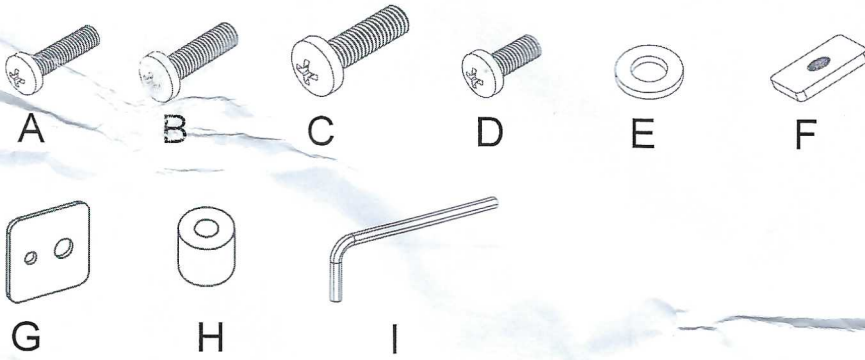
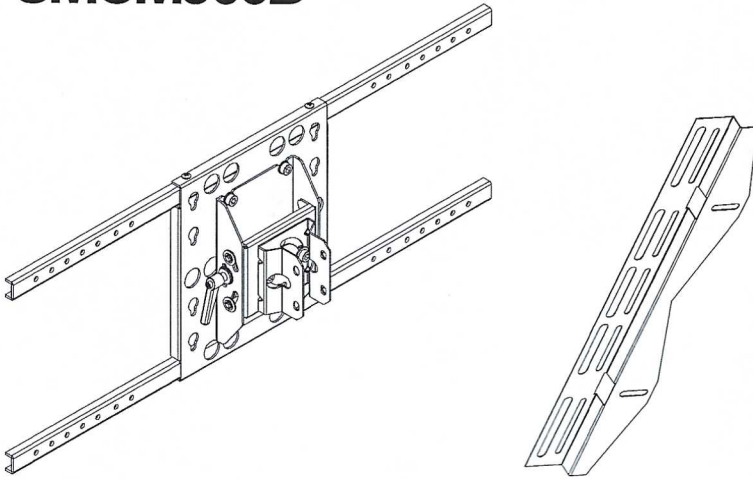


Technical Summary

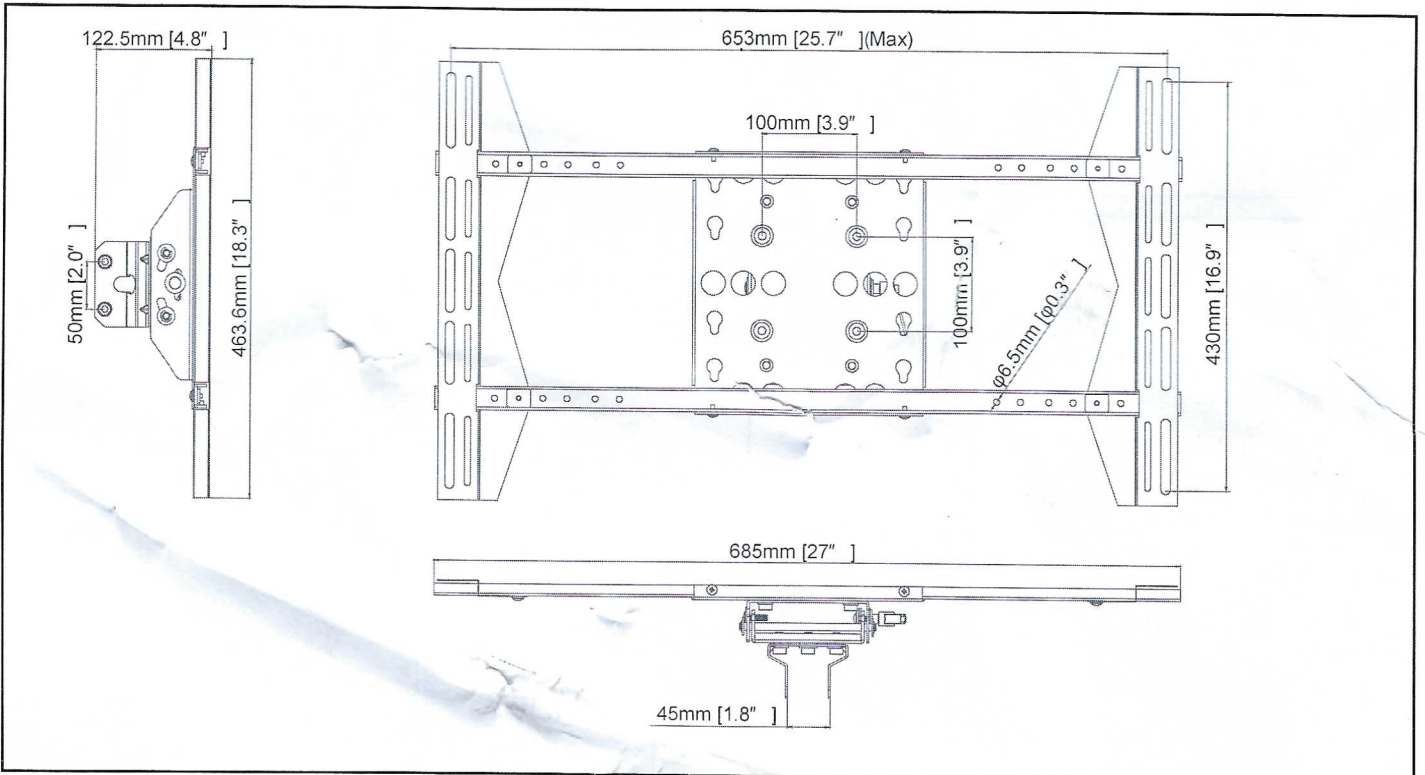
SMCM300D

COMPONENT CHECKLIST

Item	Name	QTY
AA	VESA Assy	1
BB	Adapter	2
A	M5x25mm Screw	4
B	M6x25mm Screw	4
C	M8x25mm Screw	4
D	M6x12mm Screw	4
E	$\phi 16 \times \phi 6.2 \times 1.5$ Washer	4
F	M6 Washer	4
G	Square washer	4
H	$\phi 18 \times \phi 8.2 \times 13$ Washer	4
I	6mm Hex Key	1



PRODUCT DIMENSION



INSTALLATION INSTRUCTION

