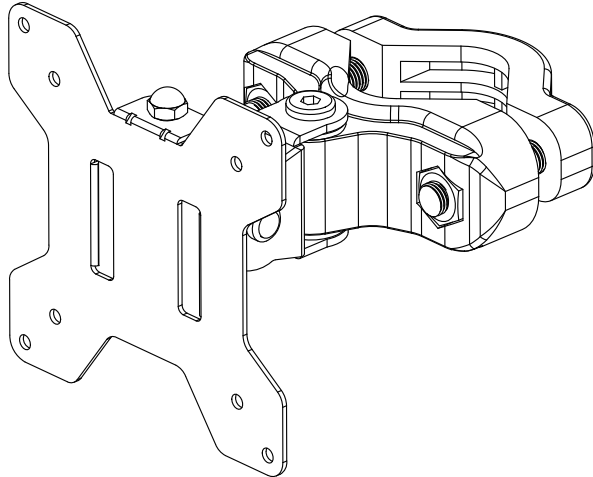


Installation Instruction



UNPACKING INSTRUCTIONS

- Carefully open the carton, remove contents and lay out on cardboard or other protective surface to avoid damage.
- Check package contents against the Supplied Parts List in the next page to assure that all components were received undamaged. Do not use damaged or defective parts.
- Carefully read all instructions before attempting installation.

IMPORTANT SAFETY INFORMATION

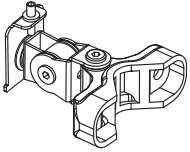
Install and operate this device with care. Please read this instruction before beginning the installation, and carefully follow all instructions contained herein. Use proper safety equipment during installation.

Please call a qualified installation contractor for help if you:

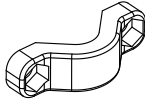
- If you don't understand these directions or have any doubts about the safety of the installation.
- If you are uncertain about the nature of your wall, consult a qualified installation contractor.

Do not use this product for any purpose or in any configuration not explicitly specified in this instruction. We hereby disclaim any and all liability for injury or damage arising from incorrect assembly, incorrect mounting, or incorrect use of this product.

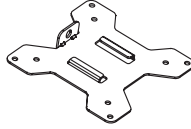
Supplied Parts List



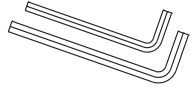
(1) Pole Clamp A-a



(1) Pole Clamp B-b



(1) VESA Plate-c



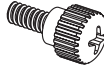
(1) Allen Key-d



(2) M10X45 Bolt-e



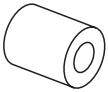
(2) M10X60 Bolt-f



(4) M4x12 Thumb Bolt-g



(4) M4x30 Bolt-h



(4) M4 Spacer-i



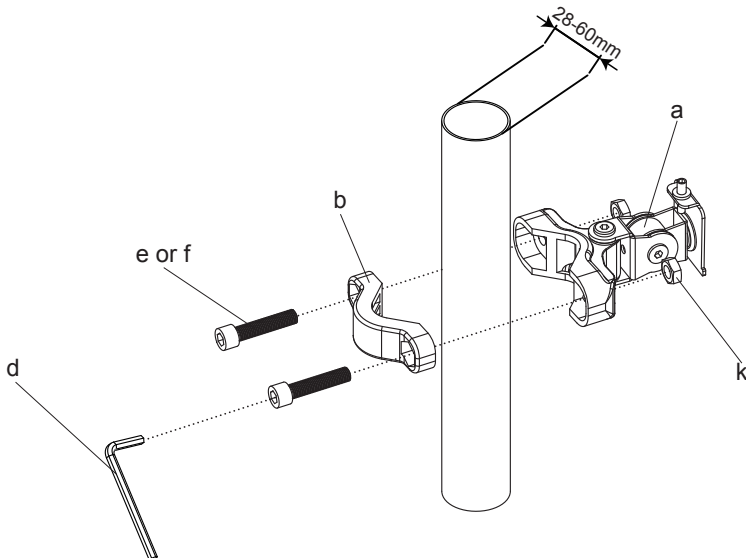
(1) Nut-j



(2) M10 Nut-k

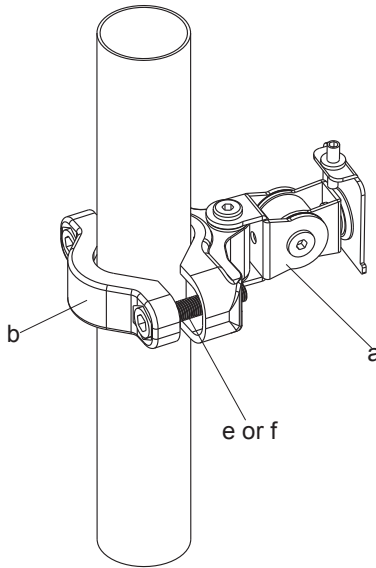
Step 1A

Mounting the Pole Clamp (A,B) to the Pole



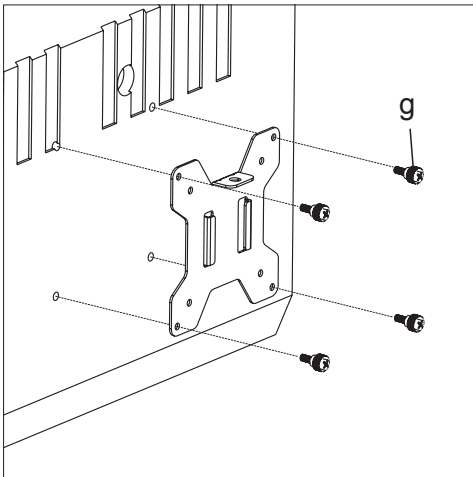
Step 1B

Mounting the Pole Clamp (A,B) to the Pole

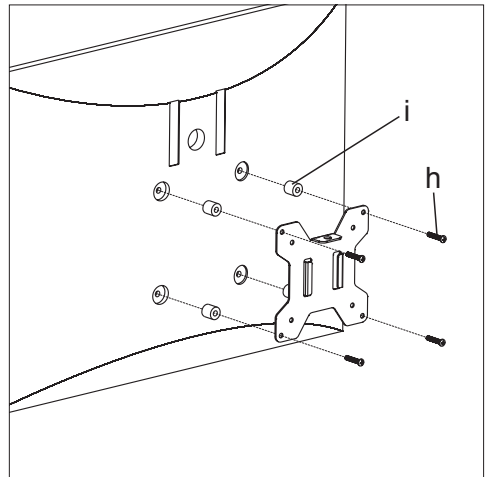


Step 2

Attach the VESA Plate to the Monitor



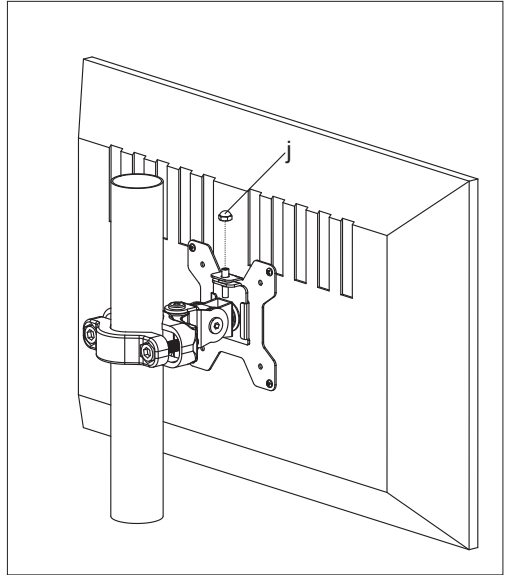
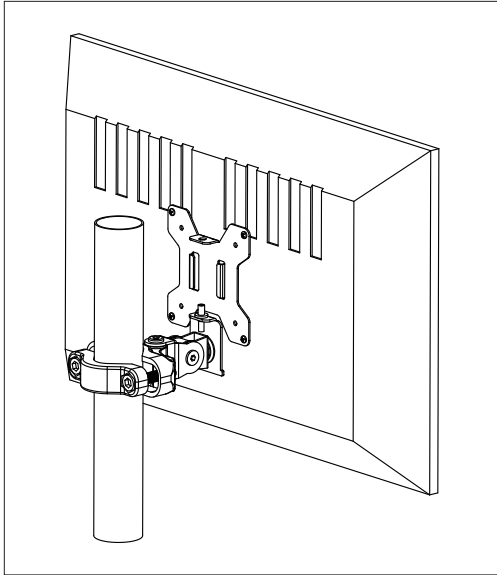
For Monitor with Flat Back



For Monitor with Curved or Recessed Back

Step 3

Slide the Monitor onto the Pole Clamp (A,B)



Step 4

Adjust the Swivel and Tilt Angles

