

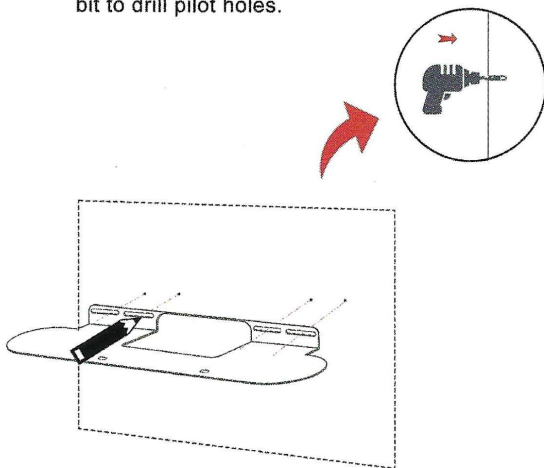
SUREMOUNT[®]

You can be sure of SureMount!

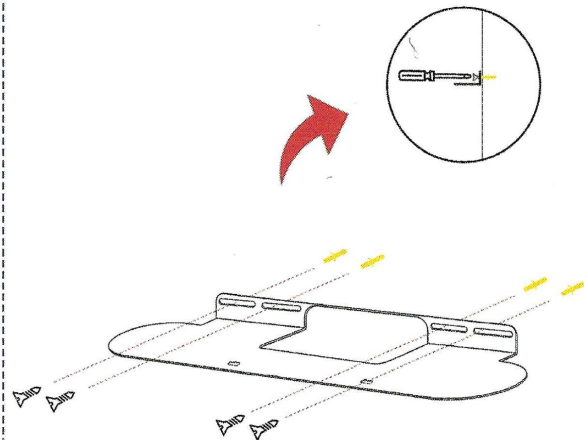
SONOS Beam Wall Mount (SSWLBEAMB)

Installation Instructions.

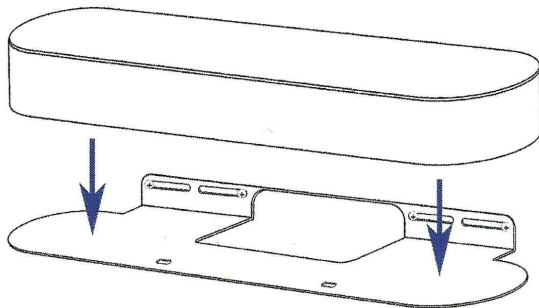
- 1** Mark the mounting position of the wall mount at the bottom of the TV and use a 5/16" drill bit to drill pilot holes.



- 2** Insert and secure the wall anchors. Place the bracket on the wall and loosely tighten the wall screws to secure the bracket.



- 3** Connect the power and HDMI cables to Beam and place Beam on the bracket.



- 4** Insert and tighten Beam to the bracket using the mounting screws.

