

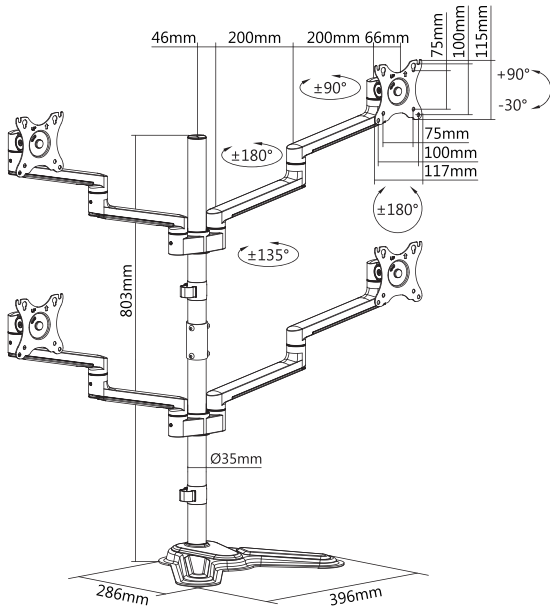
## LDT72 Series

# Premium Aluminum Articulating Monitor Arms & Stands

**Brateck**<sup>®</sup>  
BRACKET TECHNOLOGY

For Quad Monitors

### LDT72-T048



Item No.	LDT72-T048
Fit Screen Size	17"-32"
Weight Capacity	6kg/13.2lbs
VESA Compatible	75x75, 100x100
Tilt Range	+90°~-30°
Swivel Range	+90°~-90°
Screen Rotation	+180°~-180°
Material	Aluminum, Steel, Plastic