

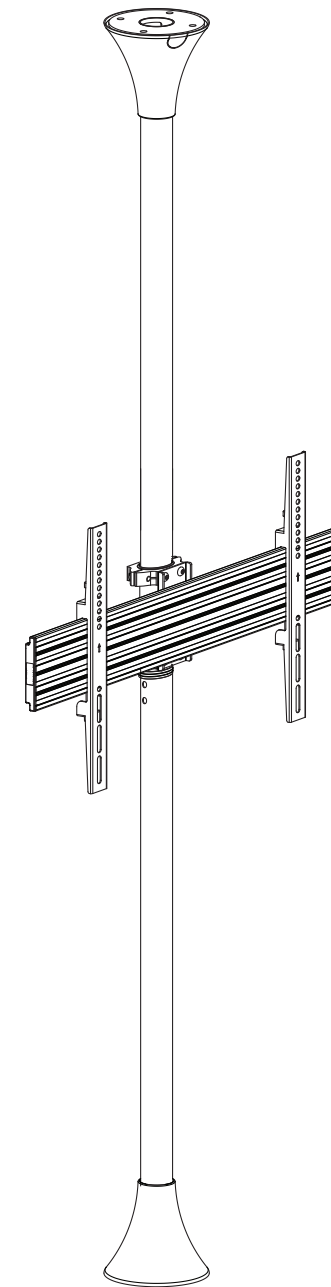
INSTALLATION GUIDE

SFC1B1

Support 37" to 75" Screen Size

Max Load Capacity: 110lbs (50 kg) Per Screen

VESA 100x100mm / 600x400mm compatible

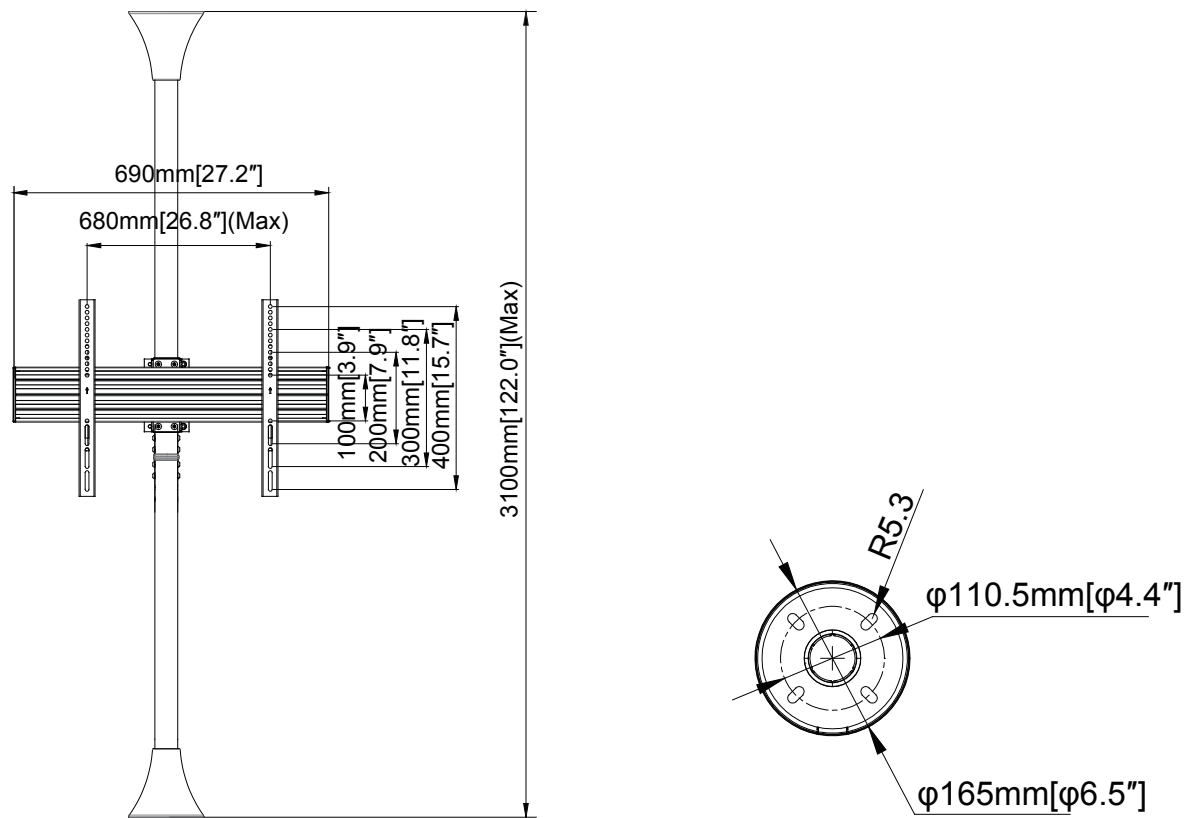


User's Manual

⚠ WARNING

- Be sure to read this entire manual thoroughly and you fully understand all the instructions and warning before attempting to begin your installation.
- This product should only be installed by someone who has a basic knowledge of building construction, installations and fully understands these instructions.
- Always have someone assist you to lift and position your equipment.
- Tighten screws and bolts firmly, but do not over tighten. Over tightening can damage the items and greatly reduce their ability to hold. Please refer to suggested torque values where applicable in these instructions.

Dimensions



Parts list

A1	A2	A3	A4	A5	A6	A7
M5X15	M6X15	M8X25	$\phi 16\text{X}\phi 6.2\text{X}1.5$	M8X45	$\phi 16\text{X}\phi 8.2\text{X}1.5$	$\phi 13\text{X}\phi 8.2\text{X}13$
X4	X4	X4	X4	X4	X4	X4

X1

B1	B2	B3	B4
3mm	5mm	6mm	M8X10
X1	X1	X1	X4

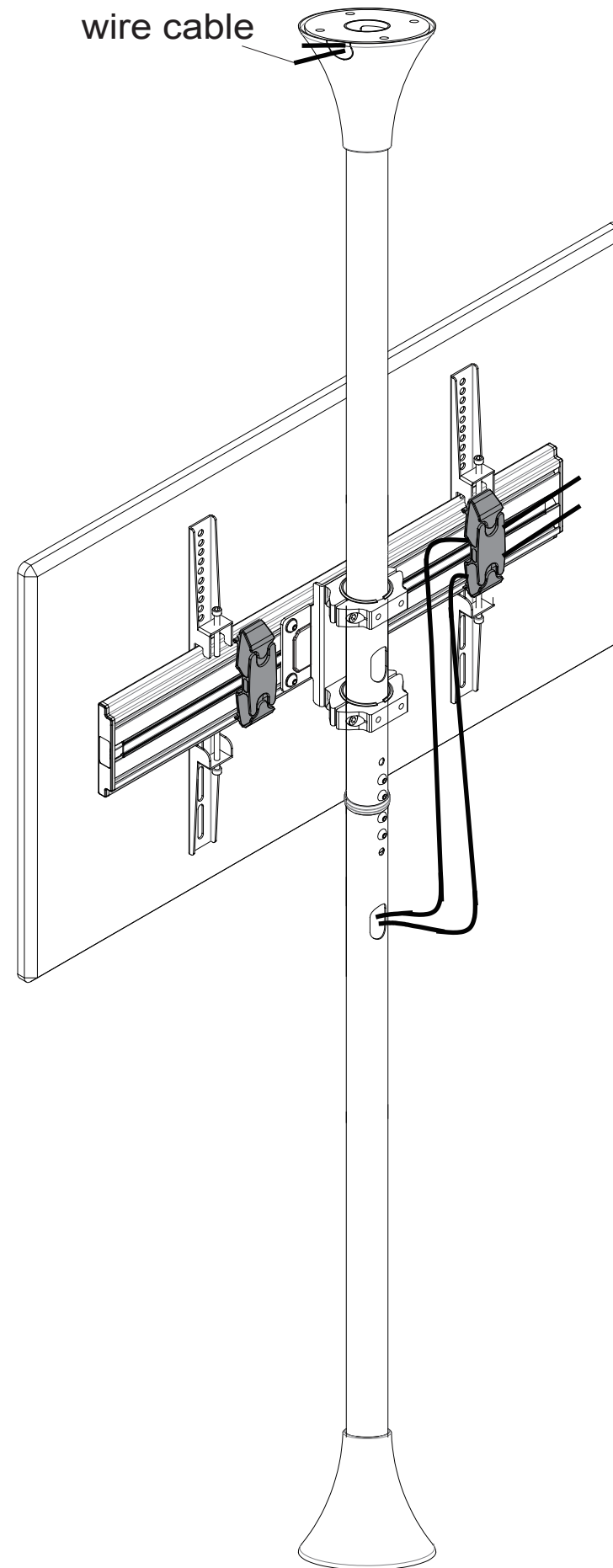
X1

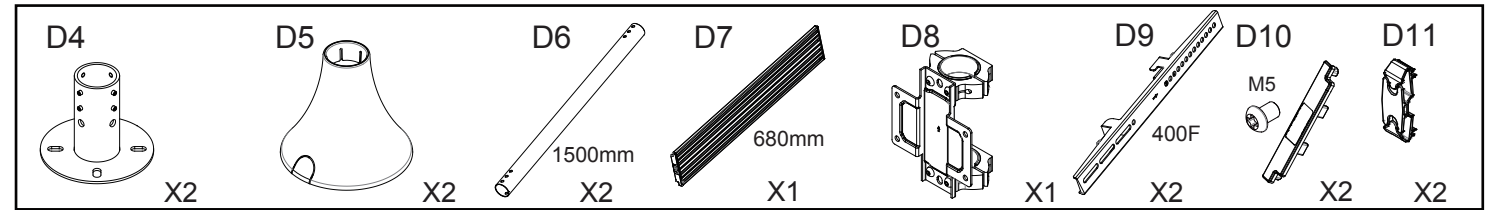
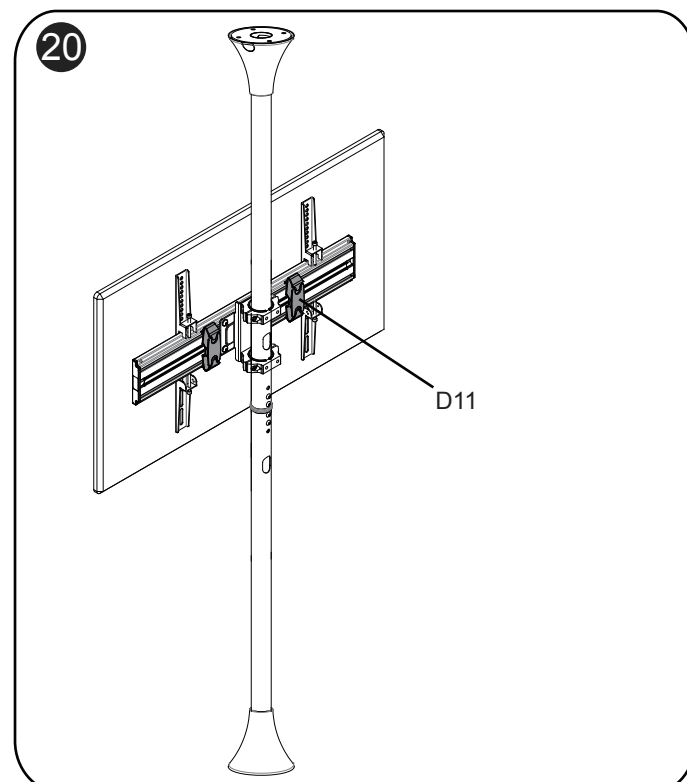
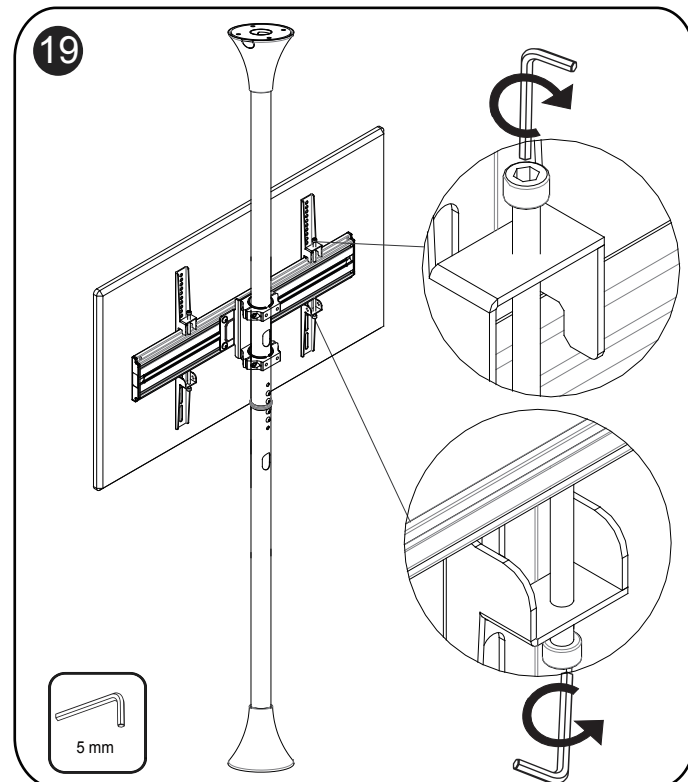
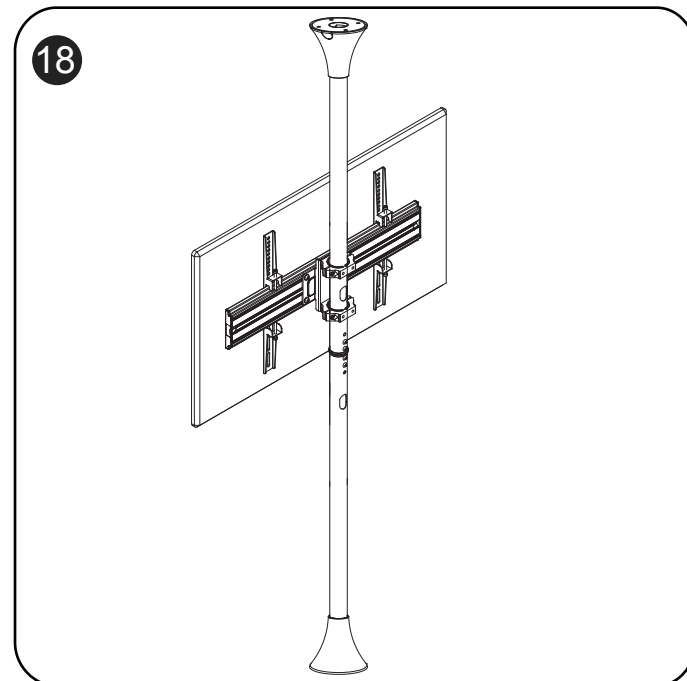
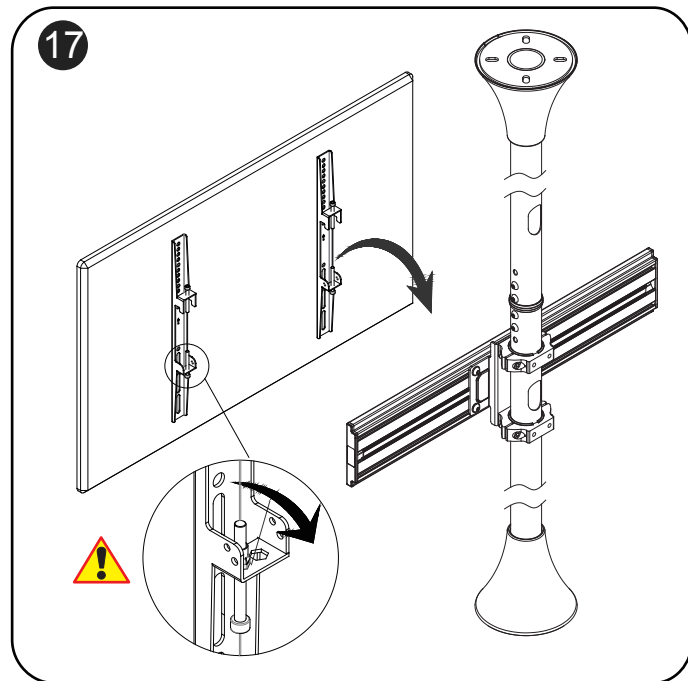
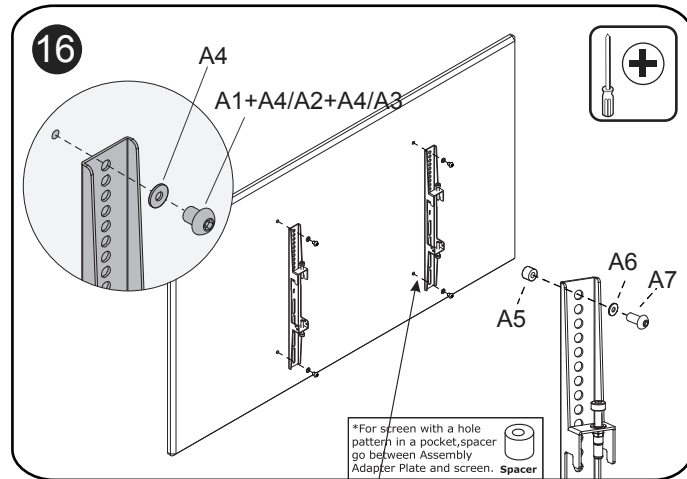
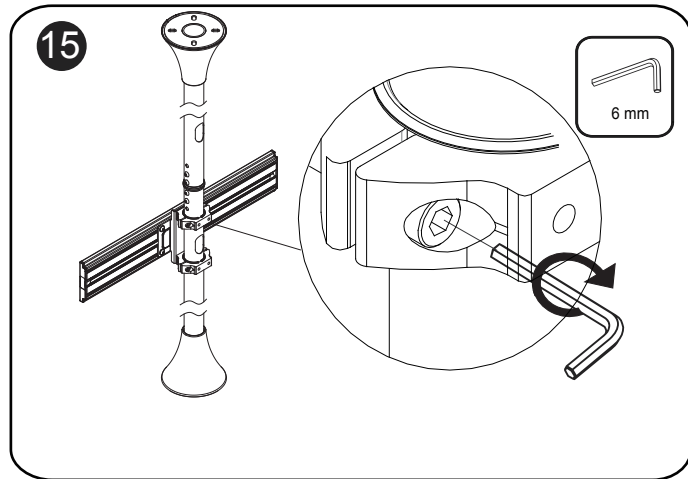
C1	C2	C3	C4	C5	C6
M8X70	M8		$\phi 16\text{X}\phi 8.2\text{X}1.5$	Lag bolt	Anchor
X2	X2	X1	X8	X8	X8

X1

D1	D2	D3
	M8X10	
X2	X8	X1

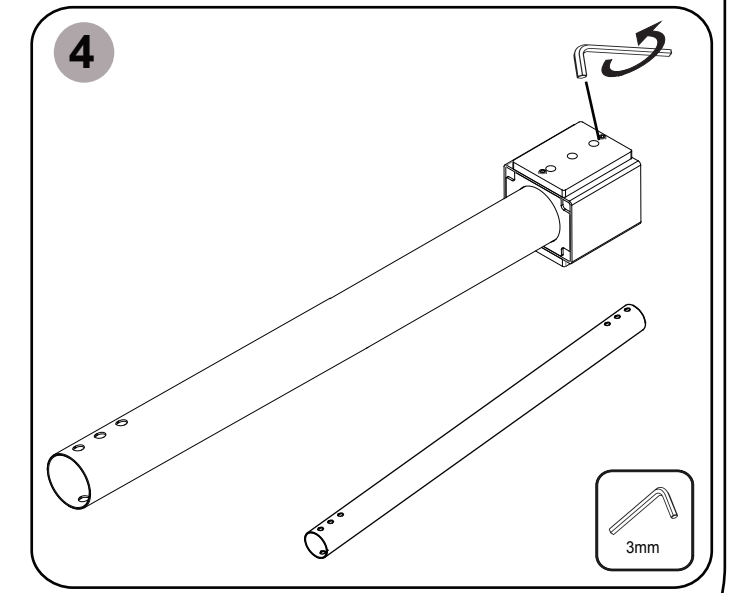
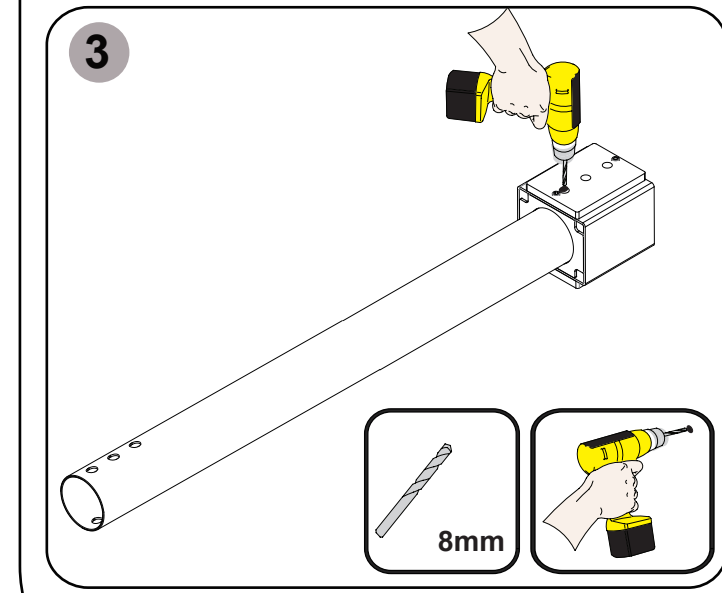
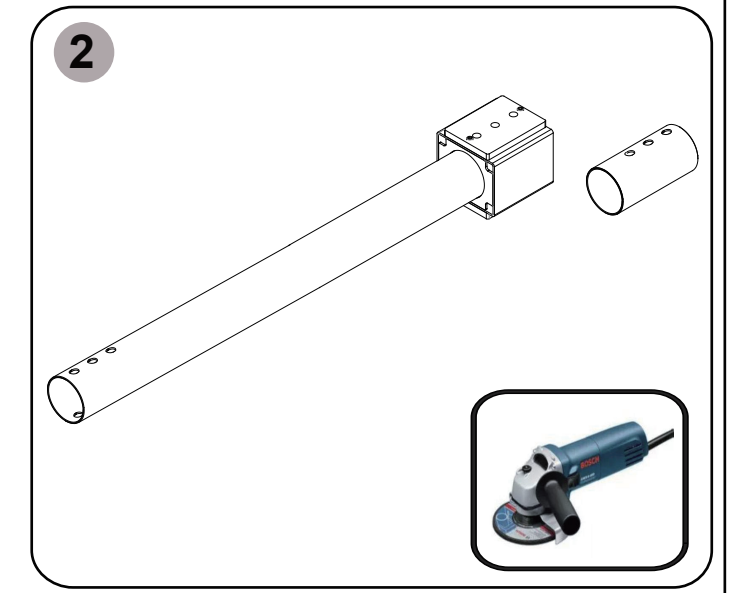
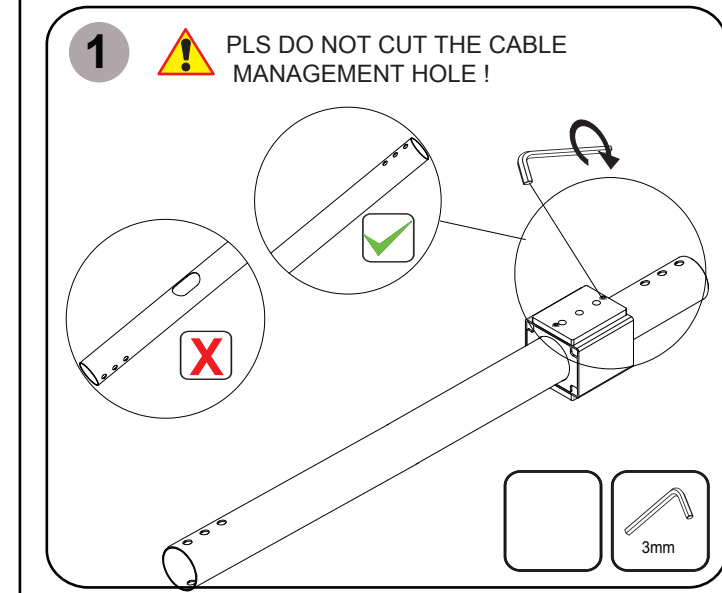
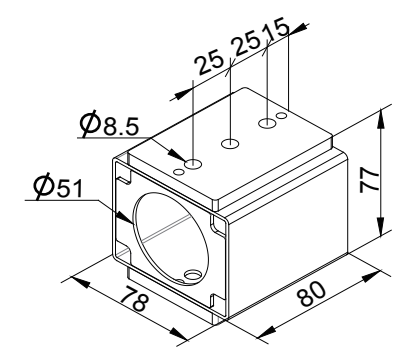
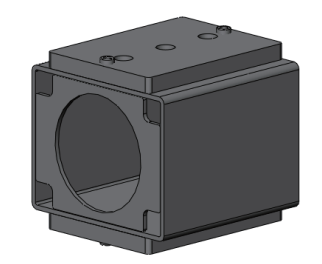
X1





Optional Tool (Does not include in the box)

The tool for drilling new holes when extension pipe has been cut.



Installation

