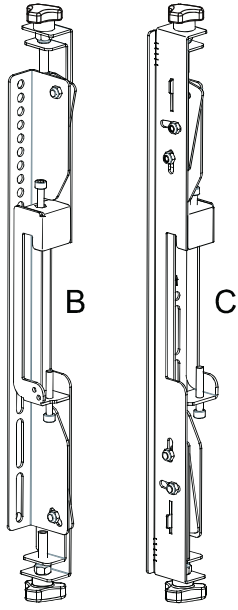
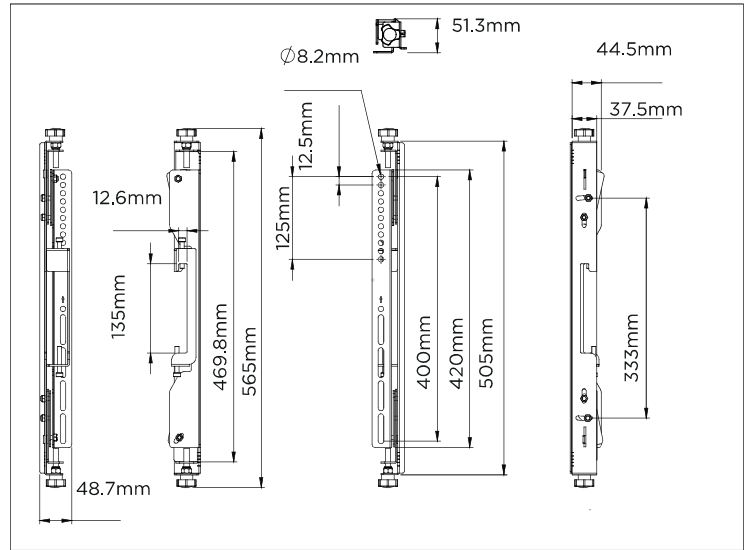


Technical Summary

SARADJFIX400- Micro-adjustment arms(40cm)

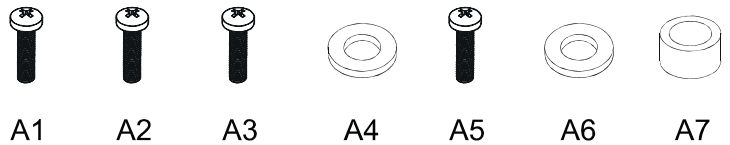


PRODUCT DIMENSIONS



COMPONENT CHECKLIST

Item	Name	QTY
B	Left Hook	1
C	Right Hook	1
A1	M5X15	4
A2	M6X15	4
A3	M8X25	4
A4	Ø16x Ø6.2x1.5	4
A5	M8X45	4
A6	Ø16x Ø8.2x1.5	4
A7	Ø13x Ø8.2x13	4



INSTALLATION INSTRUCTION

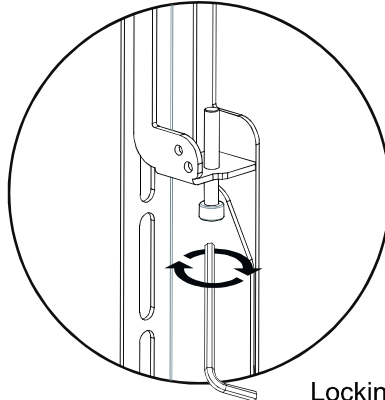
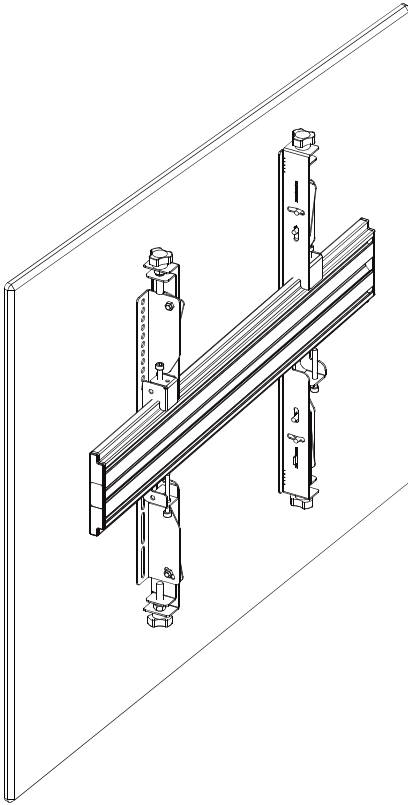
1. Attach brackets to display

*For a screen with a hole pattern in a recess, use a spacer between Adaptor Plate and screen

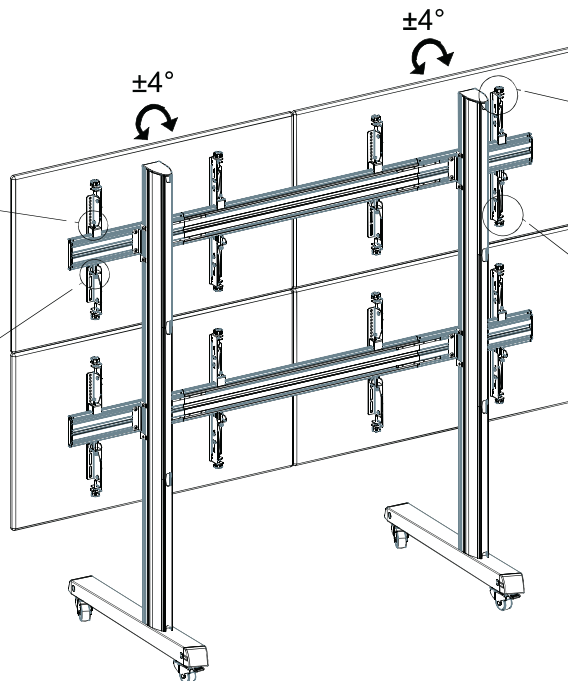
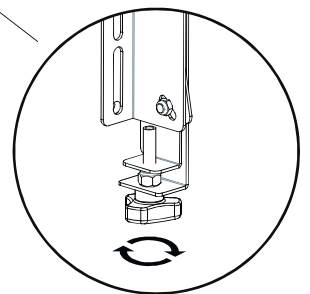
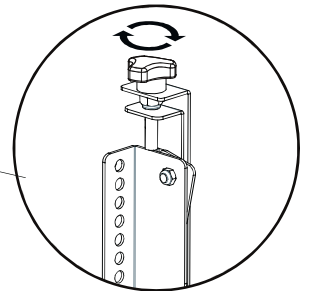
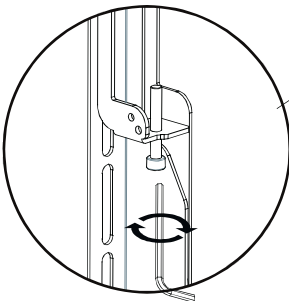
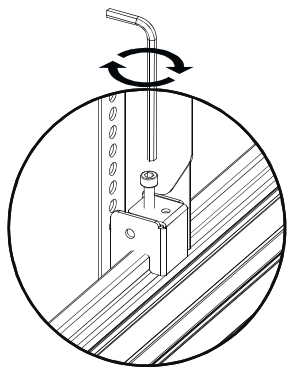
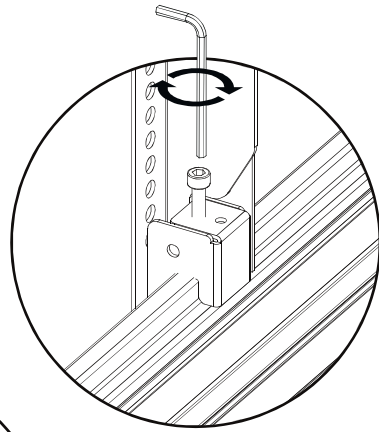
NOTE: Make sure brackets are oriented as shown

2. Mount display on rail

Height adjust



Locking screw



Adjust the vertical position of TV

Adjust distance between TV and the wall