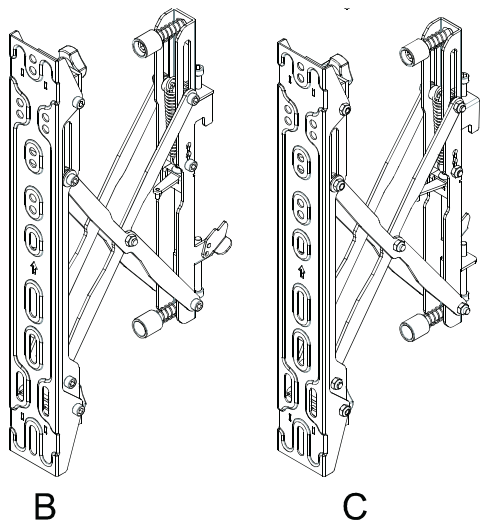
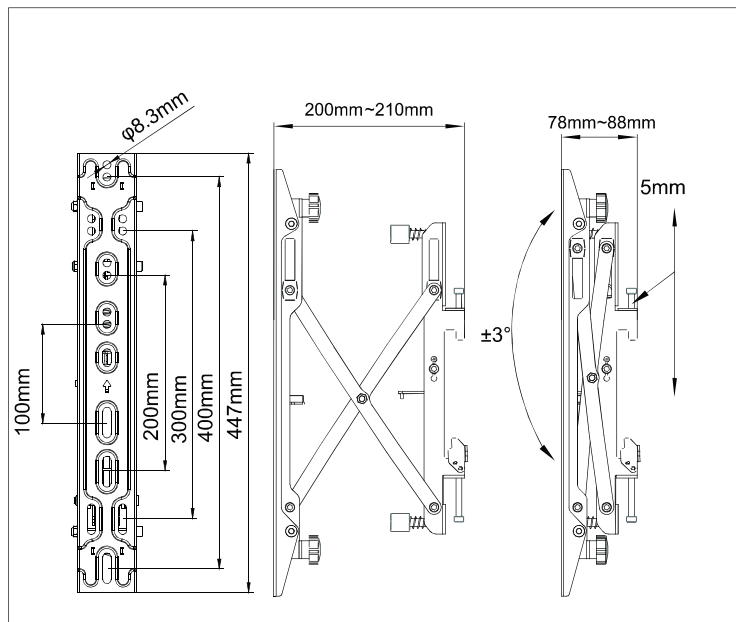


Technical Summary

SARPOP400-Push in Pop out VESA 400

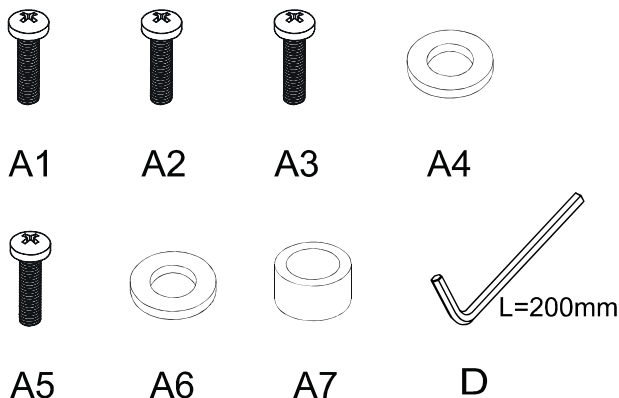


PRODUCT DIMENSIONS

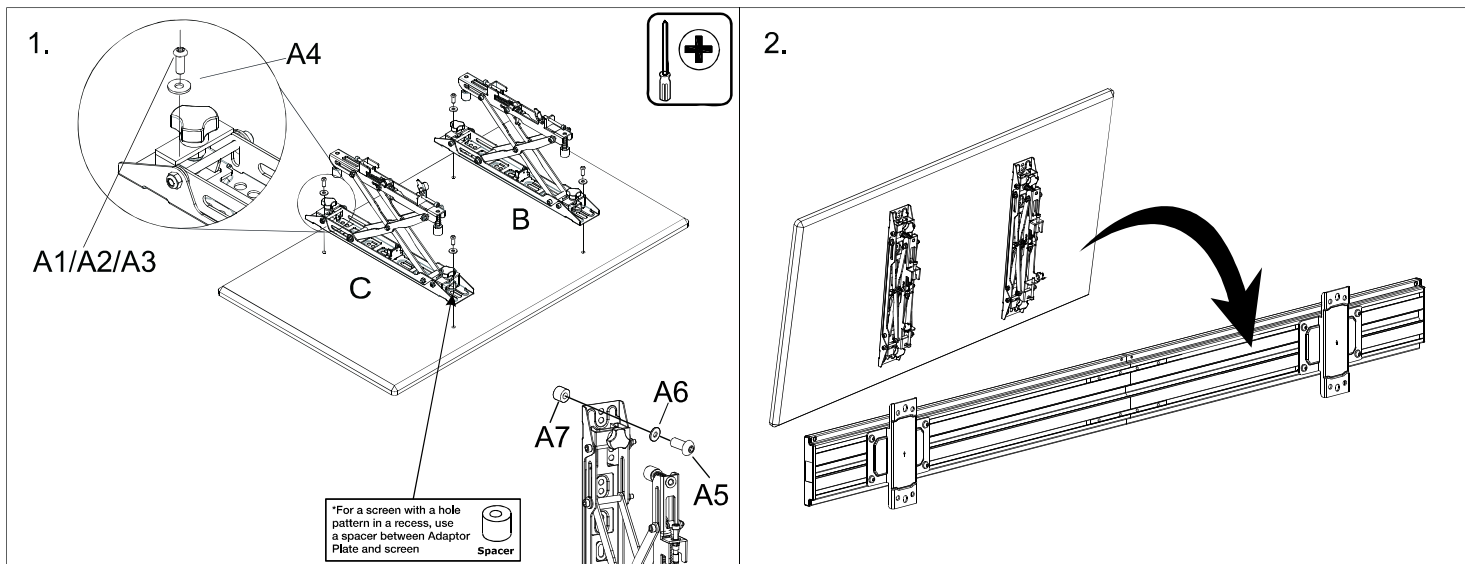


COMPONENT CHECKLIST

Item	Name	QTY
B	Left Hook	1
C	Right Hook	1
A1	M5X15	4
A2	M6X15	4
A3	M8X25	4
A4	$\varnothing 16 \times \varnothing 6.2 \times 1.5$	4
A5	M8X45	4
A6	$\varnothing 16 \times \varnothing 8.2 \times 1.5$	4
A7	$\varnothing 13 \times \varnothing 8.2 \times 13$	4
D	Allen key 5MM (L=200mm)	1

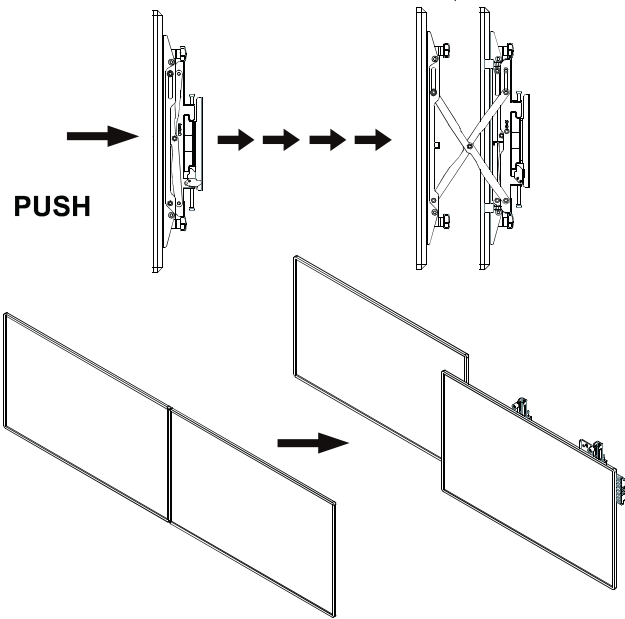


INSTALLATION INSTRUCTION

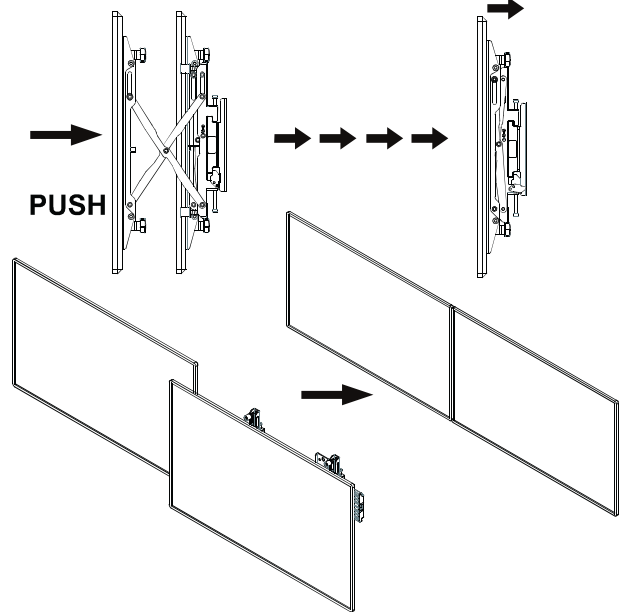


3.

Move Outward



Move Inward



4.

