

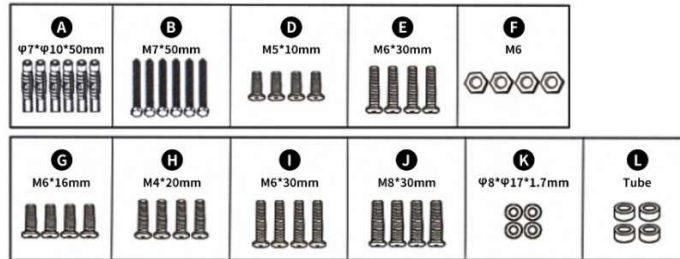
SUREMOUNT®

Installation Instructions For Motorised Fold Down Ceiling TV Mount (80kgs)

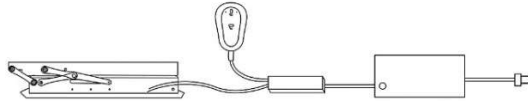
SMFDC80



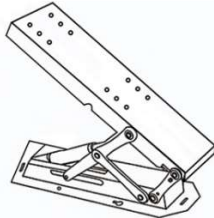
Additional tools may be required



1. Connect cables in the below order.

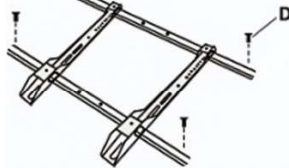


2. Connect the power supply & operate the lift to its fully open position.



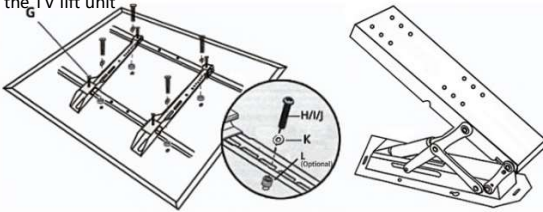
3. Assemble the TV hanging frame

- ① Insert the two horizontal beams into the upper & lower holes on the two vertical hooked TV arms
- ② Attach the stopper screws (D) to the ends of the horizontal beams

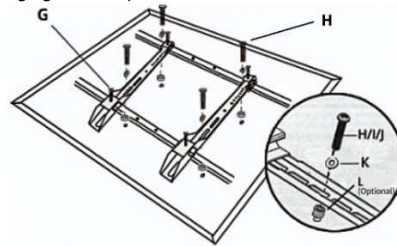


4. Temporarily attach the TV to the TV hanging bracket

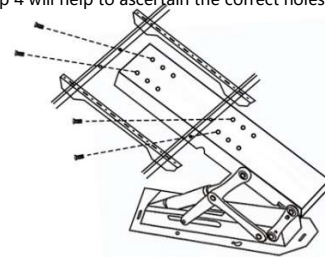
- ① Select the correct screws (H, I or J) for your model TV & screw these along with the washers (K) through the vertical TV arms to the back of the TV VESA mounting holes. Spacers (L) maybe required.
- ② Install the safety screws (G) to lock the vertical & horizontal arms together
- ③ Measure the size of the TV & the distance between the horizontal beams on the TV hanging frame to ascertain which holes to use on the TV lift unit



5. Remove the TV screws (H) from the back of the TV & lift off the TV hanging frame. Do not unscrew the safety screws (G) as these lock the TV hanging frame in position.

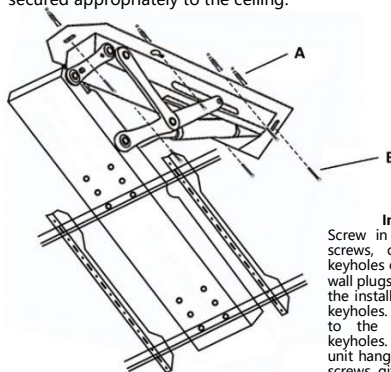


6. Screw (E) the TV hanging frame to the front panel of the TV lift unit using one of the three-hole height positions. The measurements taken in step 4 will help to ascertain the correct holes to use



7. Place the lift unit in its desired installation location & mark the hole positions. Drill 10mm holes & insert (A) wall plugs. Screw the lift unit into place using screws supplied (B) into (A) wall plugs.

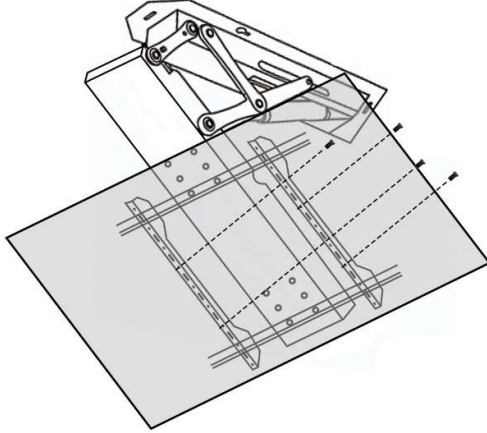
Note: Installing into solid timber or concrete will ensure the lift unit is secured appropriately to the ceiling.



Installation Tip:

Screw in (to halfway) the two screws, corresponding to the keyholes on the lift unit, into the wall plugs. Hook the lift unit onto the installed screws through the keyholes. Slide the lift unit down to the narrow end of the keyholes. This should see the lift unit hang from the two installed screws giving you enough time to install the last four screws. Tighten all six screws up.

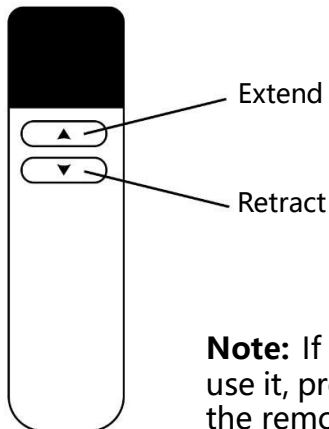
8. As per the below picture, install the TV to the TV hanging frame the same as in Step 4 using the screws removed in Step 5.



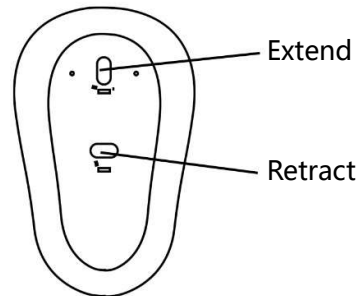
Notice: The above installation steps are for reference only. Whilst all endeavours are made to ensure the accuracy of the drawings and the parts depicted, these may differ from the unit supplied. Please ensure that all screws & nuts are tightened during installation. For your safety, please do not exceed the size and/or weight limits for this TV ceiling mount. Please also ensure that the load bearing of the ceiling (or surface that the mount is being affixed to) is suitable for the weight & size of your screen. SureMount takes no responsibility for the installation of this motorized ceiling mount & recommends that you consult a professional TV installer to ensure that your safety & the integrity of your building is protected.

Instructions For Remote Controls

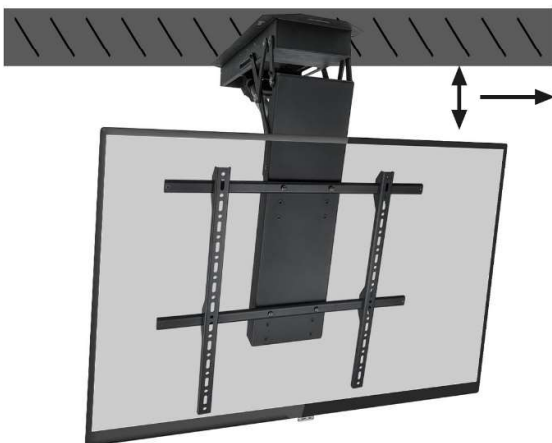
Remote Control



Handset



Note: If the remote control is not working the first time you use it, press the 'Extend' button on the 'Handset' to wake the remote up.



Notice:

Please check your measurements when installing the TV lift to ensure there is sufficient space between the top of the TV and the ceiling to avoid any interference/collisions.



Warning