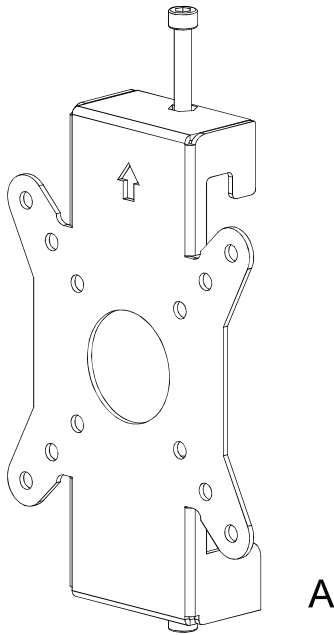


# SARFIX100

## Technical Summary

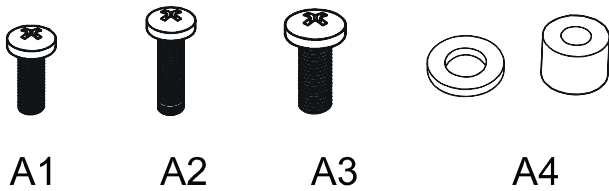
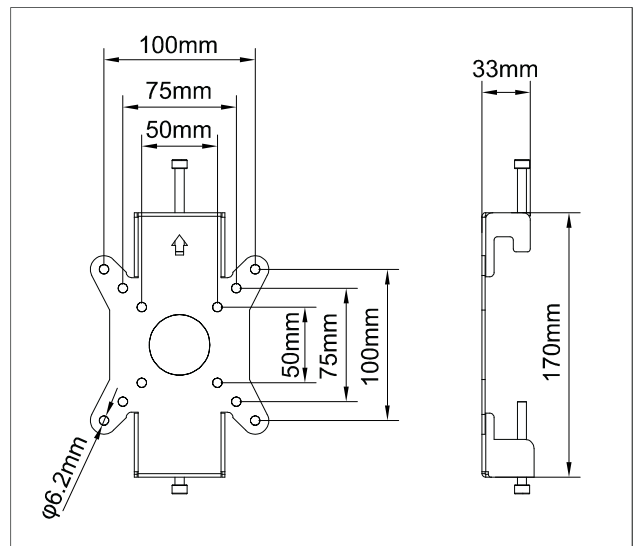
### M Monitor Fixed Pro 50/75/100



#### COMPONENT CHECKLIST

Item	Name	QTY
<b>A</b>	Monitor Flex Pro 50/75/100	1
<b>A1</b>	M4x12	4
<b>A2</b>	M4x16	4
<b>A3</b>	M5x16	4
<b>A4</b>	M5 Washer φ8xφ5.5x5 Bushings	4

#### PRODUCT DIMENSIONS



#### INSTALLATION INSTRUCTION

1.

A1/A2/A3  
A4

2.

3.

5mm  
Height adjustment 10mm