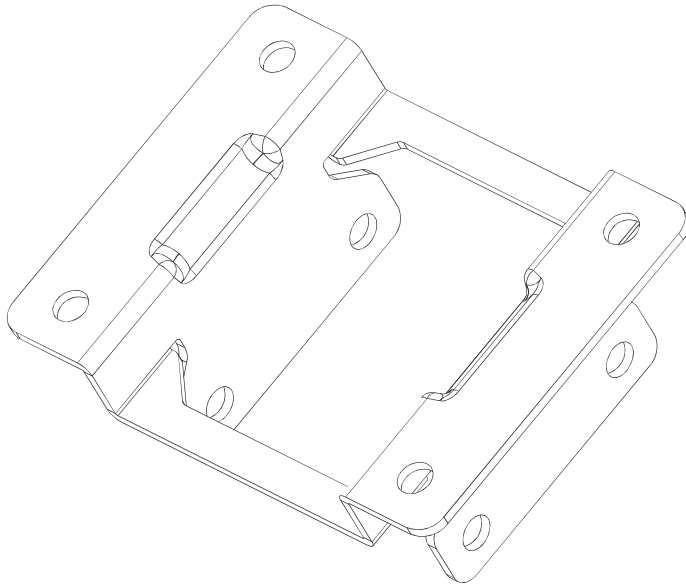


# Technical Summary

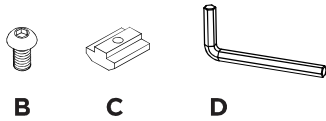
## SARPILCNTPLT - Connecting Plate For Aluminium Pillar

### COMPONENT CHECKLIST

Item	Name	QTY
A	Rail Joining Plate	1
B	M8 x 10mm Screw	8
C	M8 Sliding Nut	8
D	5mm Allen Key	1



A

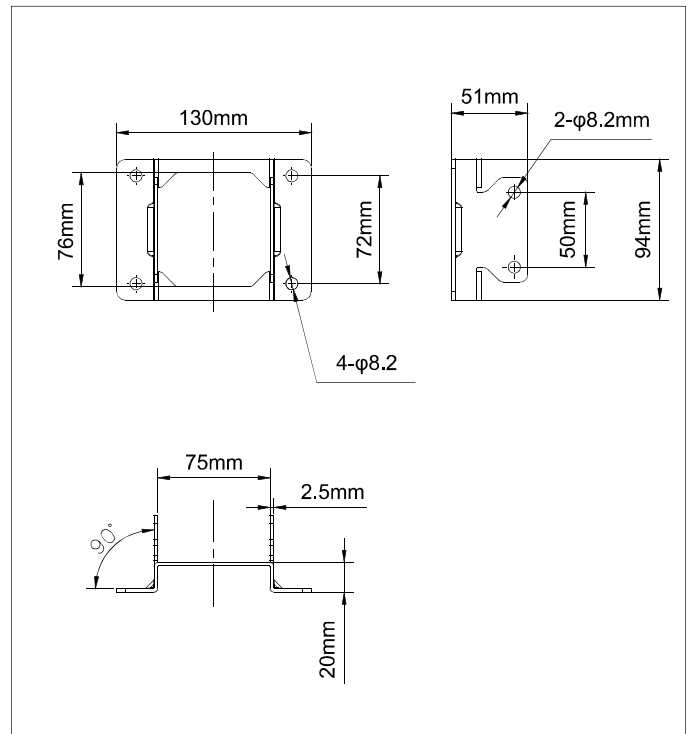


B

C

D

### PRODUCT DIMENSIONS



### INSTALLATION INSTRUCTION

