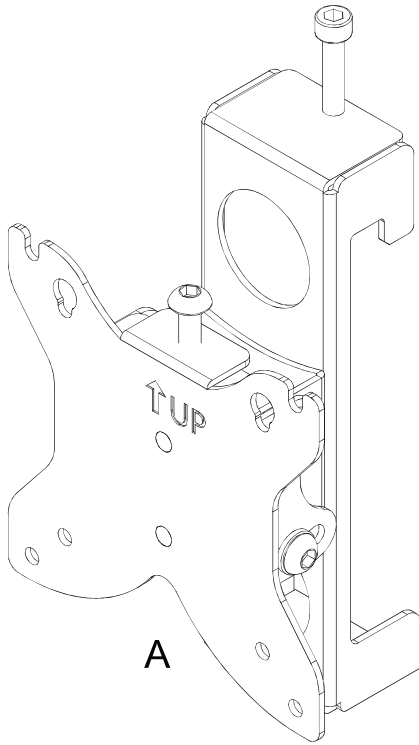


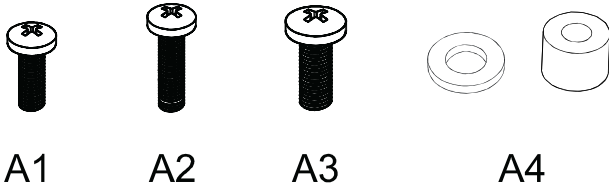
# SARTILT100

## Technical Summary

### M Monitor Flex Pro 75/100



A



A1

A2

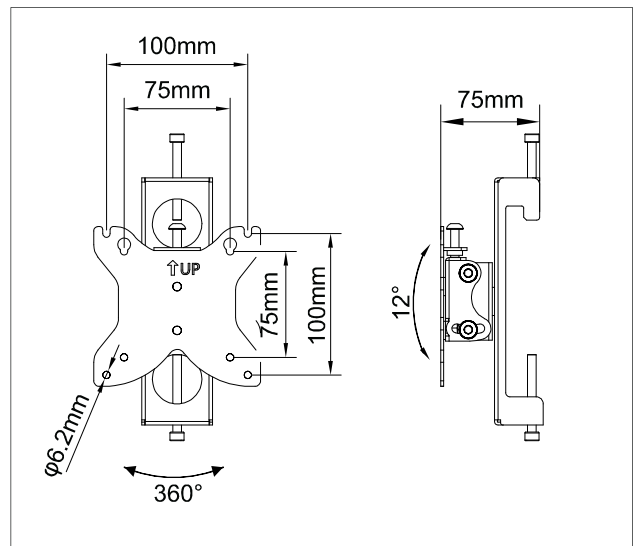
A3

A4

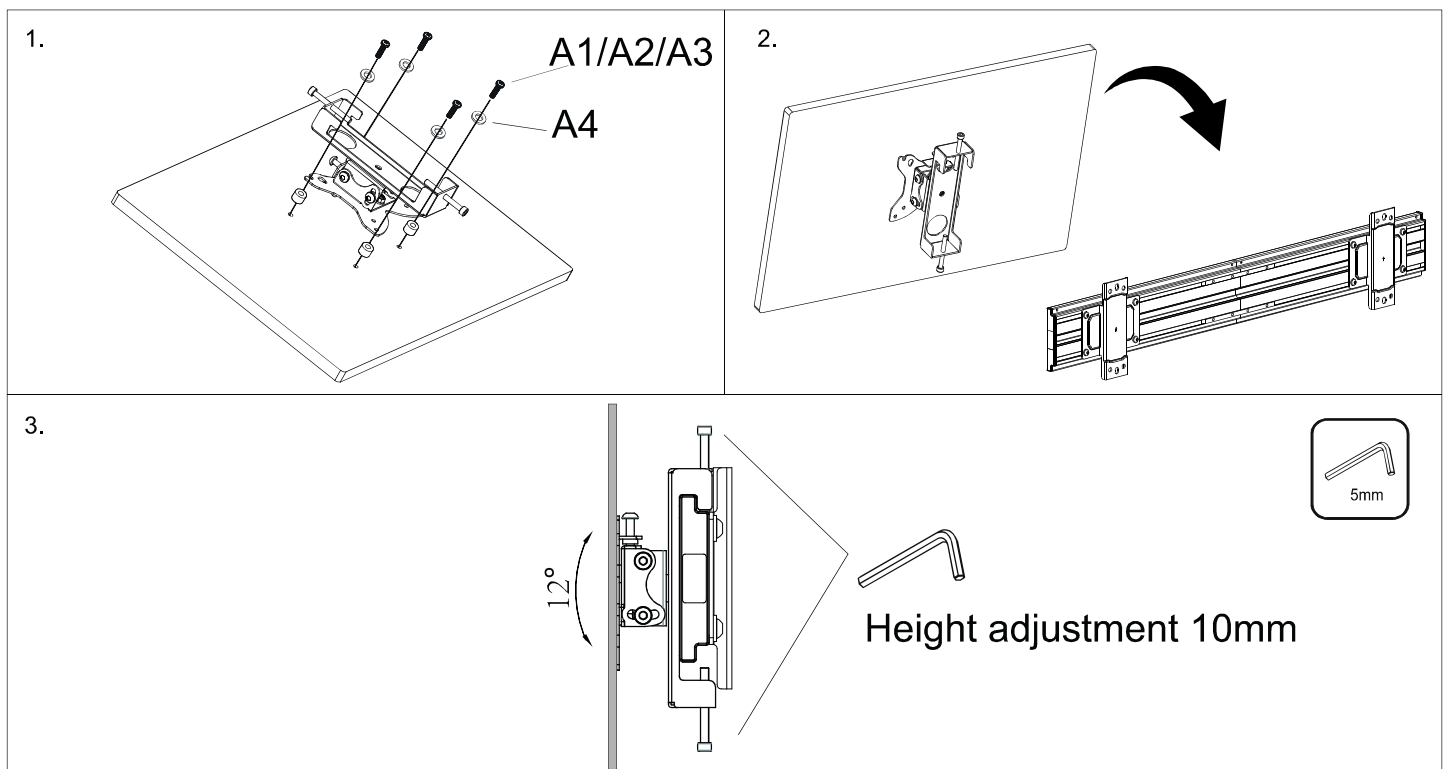
#### COMPONENT CHECKLIST

Item	Name	QTY
A	Monitor Flex Pro 75/100	1
A1	M4x12	4
A2	M4x16	4
A3	M5x16	4
A4	M5 Washer	4
	Ø8xØ5.5x5 Bushings	4

#### PRODUCT DIMENSIONS



#### INSTALLATION INSTRUCTION



1.

A1/A2/A3

A4

2.

3.

12°

Height adjustment 10mm

5mm