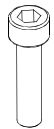
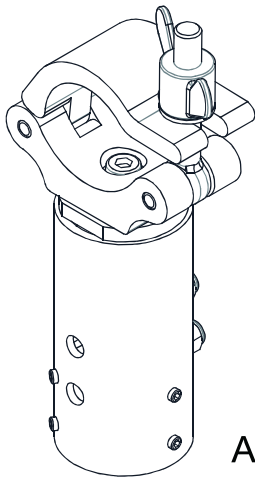


Technical Summary

SARTRUSSCLMP - Truss Clamp for 50mm Pipe

COMPONENT CHECKLIST

Item	Name	QTY
A	Truss clasp for 50mm pole	1
B	M8x70 Screws	2
C	M8 Nuts	2
D	3mm Allen Key	1
E	6mm Allen Key	1
F	Wrench	1



B

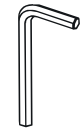


C



3mm

D



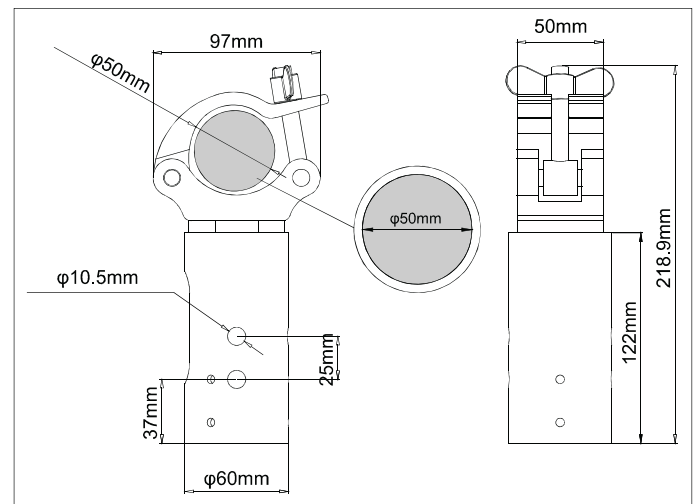
6mm

E



F

PRODUCT DIMENSIONS



INSTALLATION INSTRUCTION

