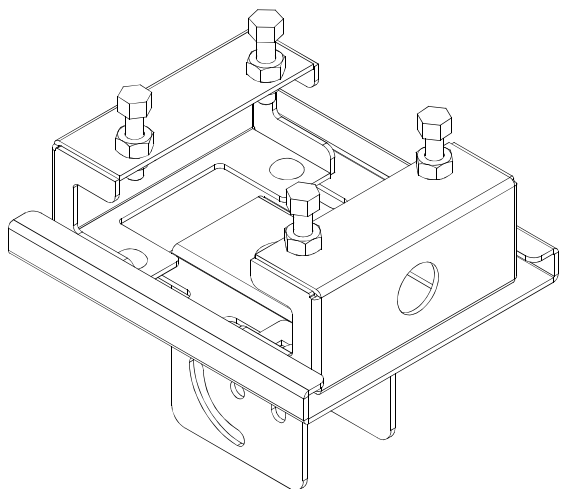


# Technical Summary

## SMCMIBEAM-S - I-Beam Clamp



**A**

### COMPONENT CHECKLIST

Item	Name	QTY
A	I-Beam Clamp	1
B	M8x70mm Screw	3
C	M8 Washer	6
D	M8 Nut	4
E	Open Wrench	1
F	6mm Hex Key	1
G	M8x60mm Screw	1
H	End Cap	1



**B**



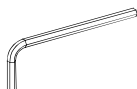
**C**



**D**



**E**



**F**

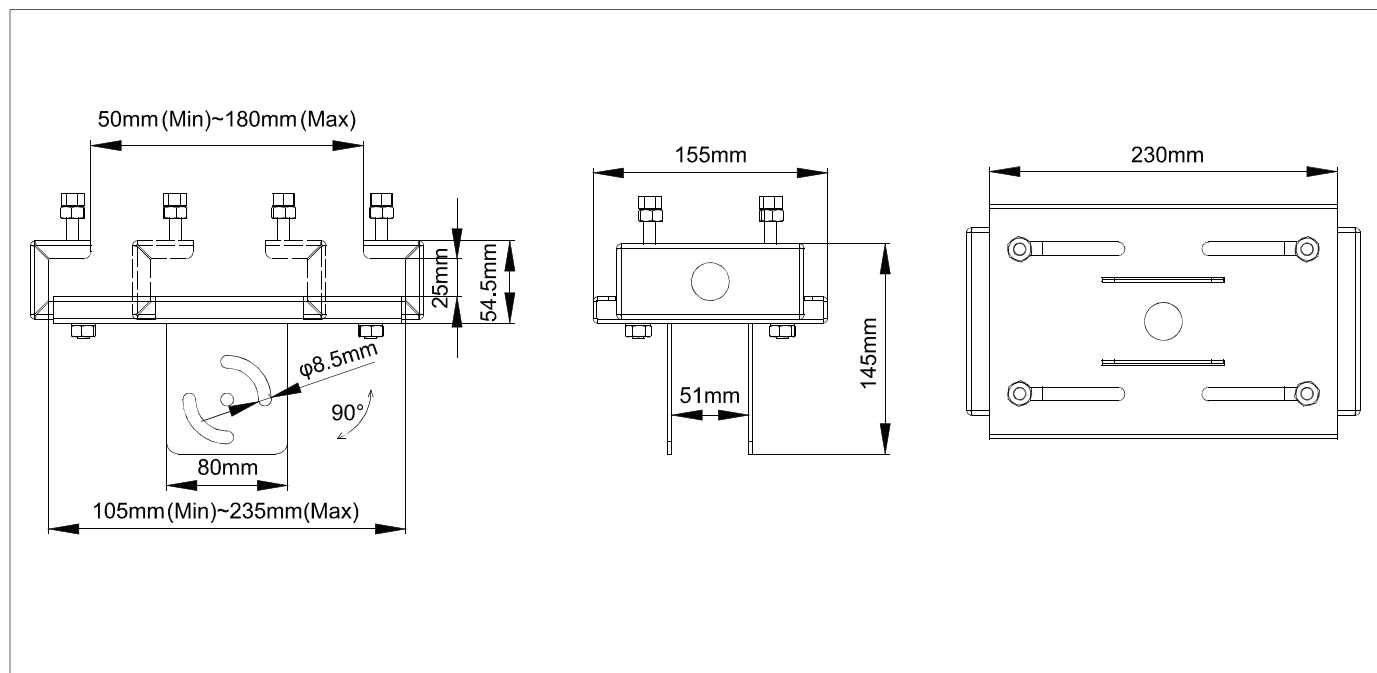


**G**



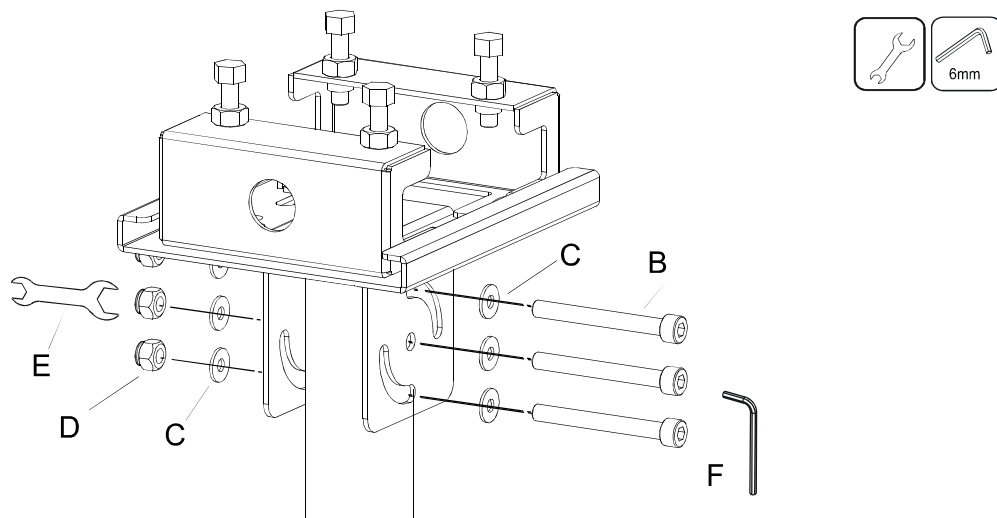
**H**

### PRODUCT DIMENSION

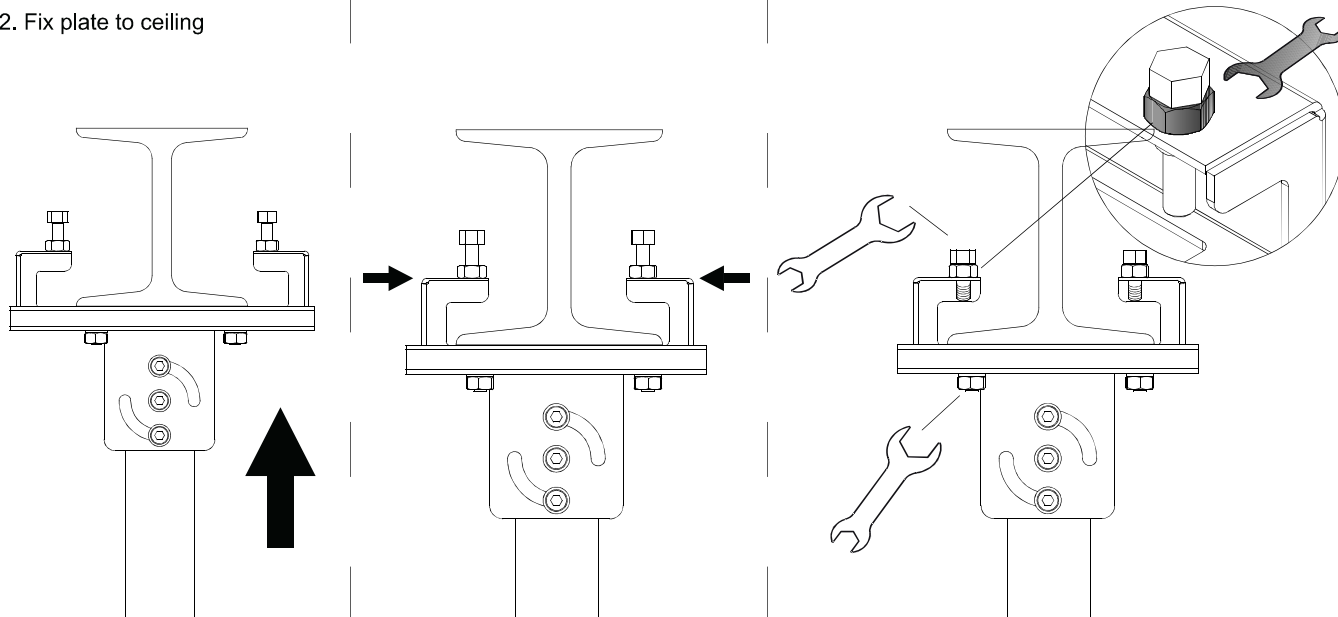


# INSTALLATION INSTRUCTION

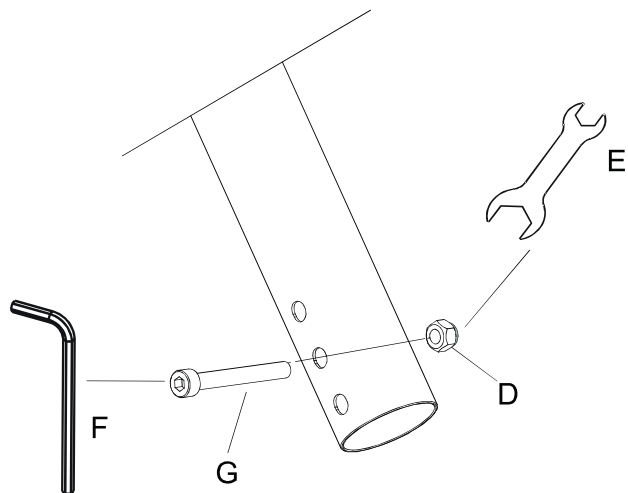
1. Attach pole to ceiling mount



2. Fix plate to ceiling



3.



4.

