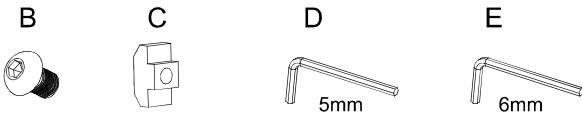
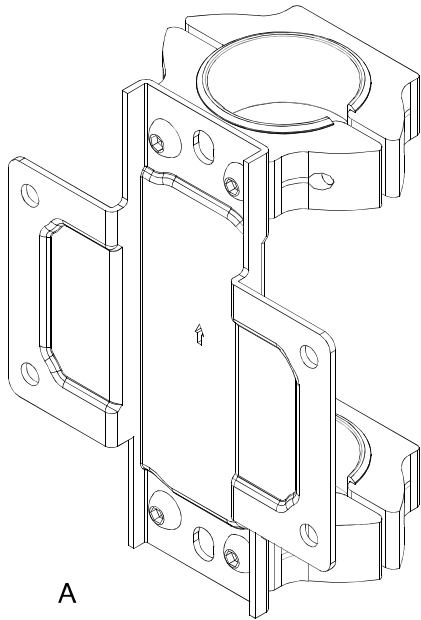


Technical Summary

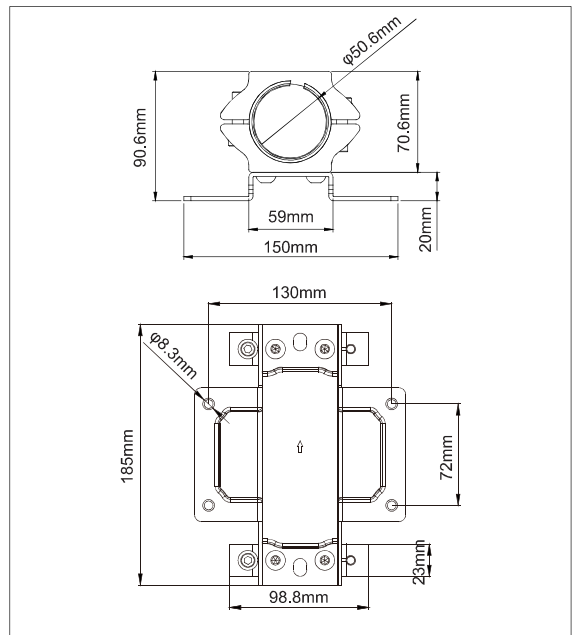
SFCPOLECMP - Single Pole Clamp

COMPONENT CHECKLIST

Item	Name	QTY
A	Rail-Pole Plate	1
B	M8 x 10mm Screw	4
C	M8 Sliding Nut	4
D	5mm Allen key	1
E	6mm Allen key	1



PRODUCT DIMENSIONS



INSTALLATION INSTRUCTION

