



SUREMOUNT®

Product Catalogue 2025

Woodmac Ltd T/A SureMount

44b Valley Road
Mount Maunganui

Ph 027 381 77 99

www.SureMount.co.nz

March 25

Who Are We?

Your Technology Bracket & Mount Supplier

Formed in 2008, SureMount has a proud history of supplying quality brackets and mounts to the NZ market.

SureMount has a significant number of bracket options for all TV/screens, projectors and AV equipment. With a variety of size/weight options available, several of our brackets are designed and made specifically for the NZ market to accommodate the 600mm wall studs. While this isn't essential for every bracket, when installing the larger screens and heavier cantilever brackets this will give you added piece of mind and security.

“You can be sure of SureMount”

SureMount has a long history of partnering with NZ companies to provide bracket and mounting solutions at a competitive price.

Are you a trade customer and have a login to our website that allows you to access your preferential pricing? If not, please let us know and we can set you up allowing you to order right away.

Based in the beautiful Mount Maunganui, we can courier your products to you overnight in the North Island, two-day delivery for the South Island and three-four day for Rural delivery.

Contents

Contents.....	3
Fixed TV Mounts	7
SF01 – Fixed TV Mount 19” – 32”	7
SF02 – Fixed TV Mount 32” – 40”	7
Fixed TV Mounts	8
SF03 – Fixed TV Mount 42” – 60”	8
SF04 – Fixed TV Mount 46” – 85+”	8
Super Slim Fixed TV Mounts	9
SFSS01 – Super Slim Fixed TV Mount 23” – 40”	9
SFSS03 – Super Slim Fixed TV Mount 40” – 60”	9
Super Slim Fixed TV Mounts	10
SFSS05 – Super Slim Fixed TV Mount 65” – 95+”	10
SL1 – Super Slim TV Mount 40” – 55”	10
Tilt TV Mounts.....	11
ST01 – Tilt TV Mount 15” – 32”.....	11
ST02 – Tilt TV Mount 32” – 40”.....	11
Tilt TV Mounts.....	12
ST03 – Tilt LCD/LED/Plasma Bracket 40” – 60”	12
ST04 – Tilt LCD/LED/Plasma Bracket 46” - 85+”	12
Pole Mounts.....	13
SFCPOLECMP – Video Wall Pole Clamp (50mm).....	13
Floor To Ceiling Mounts.....	14
SWS1U-3M - 42”-65” Floor To Ceiling Wire TV Mount.....	14
SFC1B1 – 37”-75” Floor To Ceiling TV Pole Mount	15
Full Motion TV Mounts	16
SCL01L – Full Motion TV Mount 15” – 24”.....	16
SCL01XL – Extra Long Extension Full Motion TV Mount 15” – 24”	16
Full Motion TV Mounts	17
SCL02 – Full Motion TV Mount 15” – 37”	17
SCL02L – Full Motion TV Mount 32” – 50”	17

Full Motion TV Mounts	18
SCL05XL – Extra Long Extension Full Motion TV Mount 42” – 80”	18
SCL06 – Full Motion TV Mount 40” – 65”	18
Full Motion TV Mounts	19
SCL10XL – Extra Long Extension Full Motion TV Mount 40” – 90”	19
Full Motion TV Mounts	20
SCL11XL-HD – LCD/LED Heavy Duty Full Motion TV Mount 65” – 110”	20
Slimline Full Motion TV Mounts	21
SCLSS01 – Slimline TV Mount 32” – 55”	21
SCLSS03 – Slimline TV Mount 40” – 65”	21
Corner TV Mounts.....	22
SCLSS07 – Corner TV Mount 42” – 60”+	22
Pull Down TV Mounts	23
SMF600 – Above Fireplace Pull-down Full-motion TV Wall Mount 42” – 65”	23
Pull Down TV Mounts	24
SMF800 – Above Fireplace Pull-down Full-motion TV Wall Mount 55” – 80”	24
Ceiling Mount TV Brackets.....	25
SCPLB102-11 – 13”-27” Suspended Ceiling TV Mount	25
SPLB-CE946-01S – Short Extension Ceiling Mount 37” – 75”	25
Ceiling Mount TV Brackets.....	26
SPLB-CE946-01L – Long Extension Ceiling Mount 37” – 75”	26
SPLB-CE946-01D – Dual long Extension Ceiling Mount 37” – 75”	26
Ceiling Mount TV Brackets.....	27
SMCM300L – 3000mm Long Extn Ceiling Mount 42” – 80”	27
SMCM300D – Back to Back Long Extn Ceiling Mount 42” – 80”	27
Ceiling Mount TV Brackets.....	28
SMCM211 – Folding LCD Ceiling/Under Cabinet Mount 13” – 27”	28
Ceiling Mount TV Brackets.....	29
SMCM80XL – 40”-100” Large TV Ceiling Mount – 1550mm Drop.....	29
Projector Mounts.....	30
SPM01 – Fixed Projector Mount.....	30
Projector Mounts.....	31
SPM02 – Extendable Projector Mount	31

Projector Mounts.....	32
SPM03 – Extendable Projector Mount	32
Projector Mounts.....	33
SPM04 – Extendable Projector Mount	33
Projector Mounts.....	34
SPM05 – Extendable Projector Mount	34
Projector Mounts.....	35
SPWM04 – Extendable Wall Projector Mount.....	35
Table Top Stands.....	36
SDS201 – 37”-65” Table Top TV Stand Legs.....	36
SDS302 – 32”-65” Table Top TV Stand Dual Leg.....	36
Table Top Stands.....	37
SMPS1S – Plasma/LCD/LED Table Top Stand 24”- 40”	37
SMPS1 – Plasma/LCD/LED Table Top Stand 40”- 65”+	37
Mobile Stands	38
SMFPFS2 – Flat Panel Moveable Stand 32” – 60”.....	38
Motorised TV Lifts.....	39
SMLFT-S650 – 32”-48” Motorised TV Lift (650mm Travel).....	39
SMLFT-S1000 – 42”-65” Motorised TV Lift (1000mm Travel).....	40
Motorised TV Lifts.....	41
SMLFT-S1300 – 55”-75” Motorised TV Lift (1300mm Travel).....	41
Motorised TV Lifts.....	42
SMFDC50 – Motorised Fold Down TV Ceiling Mount.....	42
Motorised TV Lifts.....	43
SMFDC80 – Motorised Fold Down TV Ceiling Mount.....	43
Soundbar Brackets.....	44
SSWB102B Adjustable Sound Bar Bracket	44
SSBOTB Adjustable Sound Bar Bracket.....	44
SSBW1B Sound Bar Wall Mounted - Bottom Mounted.....	44
SSB103B Universal Sound Bar Bracket.....	44
Soundbar Brackets.....	45
SSWLARCB SONOS ARC Wall Mount.....	45
SSWLBEAMB SONOS Beam Wall Mount.....	45

Speaker Brackets	46
SSWB201 Speaker Wall Bracket Fully Adjustable (sold in pairs)	46
SONOS Ceiling Speaker Mounts	47
SSCL01 SONOS Play1 Ceiling Mount	47
SSCL03 SONOS Play3 Ceiling Mount	47
SONOS Wall Speaker Mounts	48
SSWLONE SONOS ONE and SONOS ONE SL Wall Mount	48
SWL05 SONOS Play5 Wall Mount (Generation 2 Only)	48
SSFLONE SONOS ONE and SONOS ONE SL Floor Stand	49
SFL03 SONOS Play3 Floor Stand.....	49
Adaptors	50
SADAPTOR1 – 100mm Adaptor Fingers.....	50
SADAPTOR2 – VESA 200x200 Plate.....	50
SADAPTOR3 – Large Adaptor Fingers	50
Adaptors	51
SADAPTOR6 – VESA Adaptor 400x400mm	51
SADAPTOR7 – VESA Adaptor 600x400mm	51
SADAPTOR8 – 300mm Vertical VESA Extn Arms.....	51
SCREW PACK – Screw Pack.....	52
Multi Screen Systems.....	53
SUREMOUNT Video Wall Systems	53
TV Supports.....	53
Aluminium Rails	55
Wall Brackets	55
Floor Fixed	56
Ceiling Hung.....	57

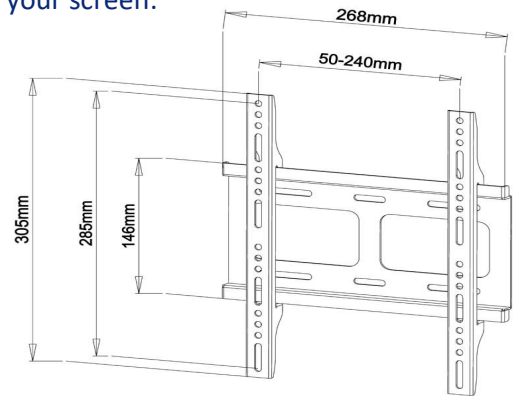
Fixed TV Mounts

SF01 – Fixed TV Mount 19” – 32”



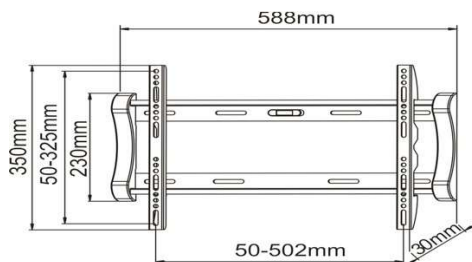
The **SureMount®** SF01 Fixed TV Mount delivers a sleek, no-fuss solution for 19”–32” flat-panel TVs. Engineered for universal compatibility, it supports both VESA 100×100 and 200×200 patterns—covering virtually every small TV on the market. Installing the SF01 is a breeze: just align, secure, and you’re done. Once mounted, its ultra-low profile keeps your TV hugging the wall, making the bracket nearly invisible from the side. Perfect for living rooms, kitchens, bedrooms—or anywhere you want a clean, streamlined look for your screen.

SPECIFICATIONS	
LCD/LED Size	19” – 32”
Maximum Weight Capacity	35 Kgs
Distance From Wall To TV	24mm
VESA	Max VESA 200x200mm
Colour	Black
Application	Fits almost unseen behind any TV



SF02 – Fixed TV Mount 32” – 40”

The **SureMount®** SF02 Fixed TV Mount delivers a sleek, no-fuss solution for 32”–40” flat-panel TVs. Engineered for universal compatibility, it supports VESA patterns comfortably upto 500×300 patterns—covering virtually every small to medium TV on the market. Installing the SF02 is a breeze: just align, secure, and you’re done. Once mounted, its ultra-low profile keeps your TV hugging the wall, making the bracket nearly invisible from the side. Perfect for living rooms, kitchens, bedrooms—or anywhere you want a clean, streamlined look for your screen.



SPECIFICATIONS	
LCD/LED Size	32” – 40”
Maximum Weight Capacity	45 Kgs
Distance From Wall To TV	30mm
VESA	Max VESA 500x300mm
Colour	Black
Application	Fits almost any 32” – 40” LCD/LED TV

Fixed TV Mounts

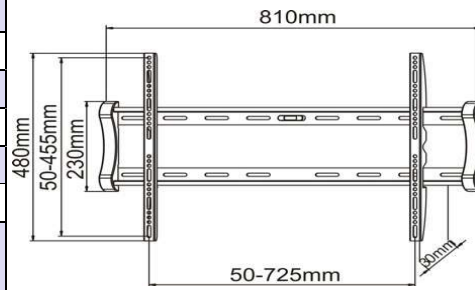
SF03 – Fixed TV Mount 42” – 60”



The **SureMount®** SF03 Fixed TV Mount is a sleek, hassle-free solution for mounting 42”–60” flat-panel TVs. Designed for universal compatibility, it supports VESA patterns up to 700x400mm, accommodating most medium to large TVs on the market. Installation is quick and straightforward—just align, secure, and you’re set. With its ultra-low profile, the

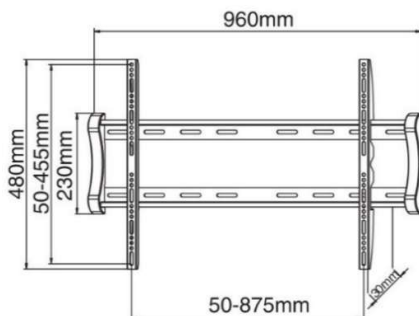
SF03 keeps your TV close to the wall for a clean, modern look that’s nearly invisible from the side. A wide wall plate gap also makes cable management easy, allowing you to position cords neatly and efficiently. Ideal for any room where style and simplicity matter.

SPECIFICATIONS	
LCD/LED Size	42” – 60”
Maximum Weight Capacity	60 Kgs
Distance From Wall To TV	30mm
VESA	Max VESA 700x400mm
Colour	Black
Application	Fits almost any 42” – 60” LCD/LED/Plasma TV



SF04 – Fixed TV Mount 46” – 85+”

The **SureMount®** SF04 Fixed TV Mount offers a sleek, no-fuss solution for securely mounting 46”–85+” flat-panel TVs. With universal compatibility, it supports VESA patterns up to 800x400mm and extends to 800x700mm when paired with the optional SADAPTOR8 extension arms—making it suitable for nearly all large-format TVs. The SF04 is easy to install with a simple align-and-secure process. Its ultra-low profile design keeps your TV flush to the wall, delivering a clean, minimalist look that’s almost invisible from the side. A wide wall plate opening also simplifies cable routing for a neat, organized setup. Perfect for any space where functionality meets style.



SPECIFICATIONS	
LCD/LED Size	46” – 70”+
Maximum Weight Capacity	100 Kgs
Distance From Wall To TV	30mm
VESA	Max VESA 800x400mm*
Colour	Black
Application	Fits almost any 46” and bigger LCD/LED TV

* * Can be extended to VESA 800x800 with SADAPTOR8 extension arms

Super Slim Fixed TV Mounts

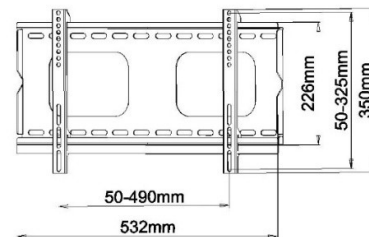
SFSS01 – Super Slim Fixed TV Mount 23” – 40”



The **SureMount®** SFSS01 Super Slim TV Mount is one of the slimmest brackets in the world, sitting just 24mm from the wall—giving your TV a sleek, almost flush appearance, as if it’s floating. Designed to complement today’s ultra-thin LCD and LED TVs, this mount is both stylish and strong. It includes a locking bar for added security and comes with a complete mounting kit for both wall and TV installation. With the addition of the optional SADAPTOR8

extension arms, the SFSS01 also supports portrait mounting of TVs up to 65" with VESA configurations up to 400x600mm, making it a favorite among professional installers.

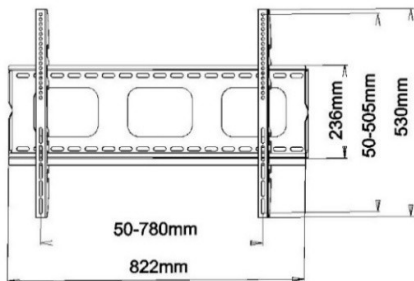
SPECIFICATIONS	
LCD/LED Size	23” – 40”
Maximum Weight Capacity	45 Kgs
Distance From Wall To TV	24mm
VESA	Max VESA 400x300mm*
Colour	Black
Application	Fits medium LCD/LED TV’s



*Also used for mounting TV’s in portrait with SAdaptor8 Extn Arms to achieve a 400x600mm VESA

SFSS03 – Super Slim Fixed TV Mount 40” – 60”

The **SureMount®** SFSS03 Super Slim Fixed TV Mount is one of the slimmest wall brackets available, sitting just 24mm from the wall to create a sleek, nearly flush look—making your TV appear almost seamlessly attached. Supporting VESA patterns up to 700x400mm, it's a top choice among professional installers for mounting larger TVs. As screens continue to get thinner, the SFSS03 stands out for its clean aesthetic and premium build quality. It also features a locking bar for enhanced security and comes with a complete mounting kit for both wall and TV installation. Perfect for a modern, minimalist setup.

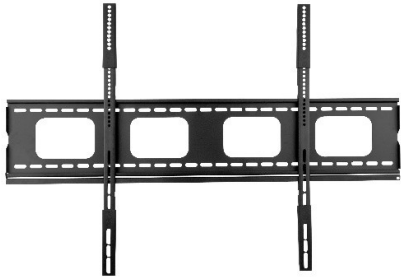


SPECIFICATIONS	
LCD/LED Size	40” – 60”
Maximum Weight Capacity	60 Kgs
Distance From Wall To TV	24mm
VESA	Max VESA 700x400mm*
Colour	Black
Application	Fits medium sized Plasma’s and LCD/LED TV’s

* Can be extended to VESA 700x700 with SADAPTOR8 extension arms

Super Slim Fixed TV Mounts

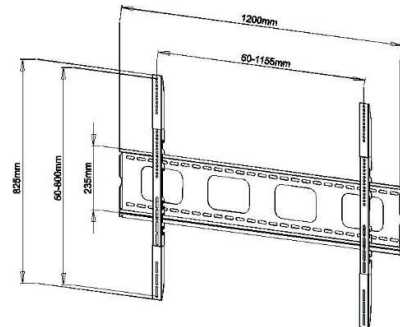
SFSS05 – Super Slim Fixed TV Mount 65” – 95+”



The SureMount® SFSS05 Fixed TV Mount is built for large modern TVs, offering universal compatibility with an impressive maximum VESA of 1100x800mm. Designed for effortless installation, it ensures a secure, streamlined setup, while its wide cable gap allows for clean, hassle-free cable management. For added protection, the included locking bar helps deter theft, making it a reliable choice for both consumer and professional use. The SFSS05 comes fully equipped with a

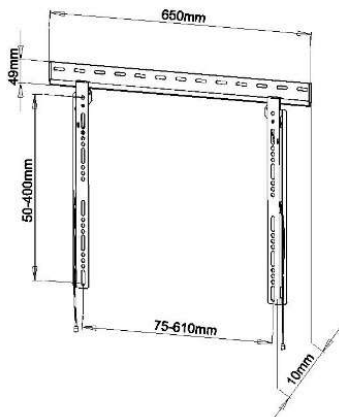
complete mounting kit for both wall and TV attachment, ensuring convenience and peace of mind for any setup.

SPECIFICATIONS	
LCD/LED Size	65” – 95+”
Maximum Weight Capacity	100 Kgs
Distance From Wall To TV	24mm
VESA	Max VESA 1100x800mm
Colour	Black
Application	Fits large sized Plasma’s and LCD/LED TV’s



SL1 – Super Slim TV Mount 40” – 55”

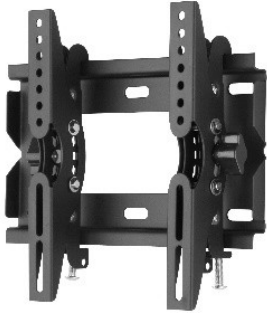
The SureMount® SL1 Fixed TV Mount is designed for 40" - 55" TVs, featuring an ultra-low-profile design that sits just 10mm from the wall for a sleek, modern look. Its spring-loaded bracket ensures secure installation while offering a built-in safety release for added convenience. The open design allows for easy cable and electrical access, while the integrated lateral shift provides flexibility in positioning. Complete with a full mounting kit for both wall and TV attachment, the SL1 is a streamlined, reliable solution for any setup.



SPECIFICATIONS	
LCD/LED Size	40” – 55”
Maximum Weight Capacity	60 Kgs
Distance From Wall To TV	10mm
VESA	Max VESA 600x400mm
Colour	Black
Application	Fits most medium LCD/LED TV’s

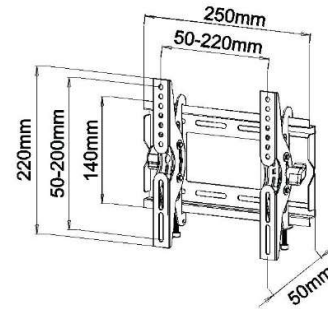
Tilt TV Mounts

ST01 – Tilt TV Mount 15” – 32”



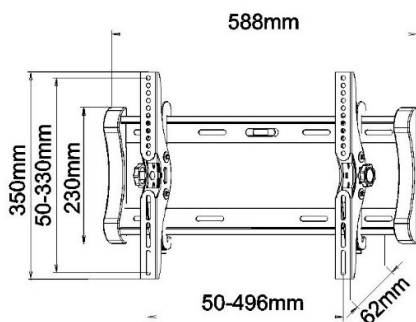
The **SureMount®** ST01 Tilt TV Mount offers a sleek, hassle-free tilt solution for 19”–32” flat-panel TVs. Designed for universal compatibility, it supports VESA 100×100 and 200×200 patterns, making it a perfect fit for virtually any small TV. With an adjustable tilt range of +/- 15°, achieving the ideal viewing angle is effortless. Installation is quick and straightforward—simply align, set the tilt, secure, and you’re done. Whether it’s for living rooms, kitchens, bedrooms, or any space where a clean, streamlined look is essential, the ST01 ensures both convenience and style.

SPECIFICATIONS	
LCD/LED Size	15” – 32”
Maximum Weight Capacity	35 Kgs
Distance From Wall To TV	50mm
VESA	Max VESA 200x200mm
Colour	Black
Application	Fits unseen behind most 15” – 32” flat panel LCD/LED TV’s



ST02 – Tilt TV Mount 32” – 40”

The **SureMount®** ST02 Tilt TV Mount offers a sleek, hassle-free solution for 32”–40” flat-panel TVs. Designed for universal compatibility, it comfortably supports VESA patterns up to 500×300mm, making it an ideal fit for most small to medium-sized TVs. With an adjustable tilt range of +/- 15°, setting the perfect viewing angle is effortless. Installation is quick and straightforward—simply align, set the tilt, secure, and you’re done. Whether it’s for living rooms, kitchens, bedrooms, or any space where a clean, streamlined look matters, the ST02 delivers both style and convenience.



SPECIFICATIONS	
LCD/LED Size	32” – 40”
Maximum Weight Capacity	45 Kgs
Distance From Wall To TV	62mm
VESA	Max VESA 400x300mm
Colour	Black
Application	Fits most medium 32”-40” TV’s

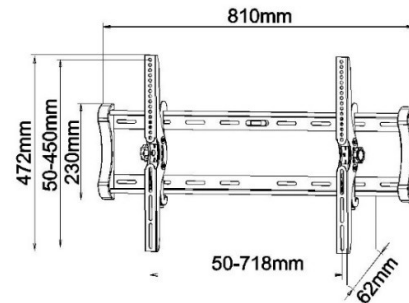
Tilt TV Mounts

ST03 – Tilt LCD/LED/Plasma Bracket 40” – 60”



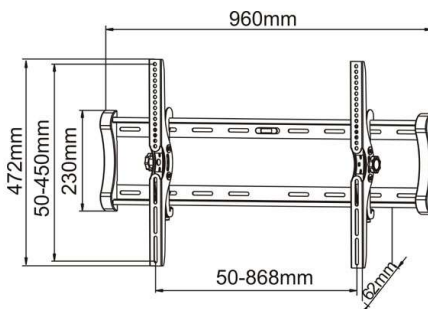
The **SureMount®** ST03 Tilt TV Mount offers a sleek, hassle-free solution for 42”–60” flat-panel TVs. Built for universal compatibility, it supports VESA patterns up to 700x400mm, making it a versatile choice for most medium to large TVs. With an adjustable tilt range of +/- 15°, achieving the perfect viewing angle is effortless. Installation is quick and straightforward—just align, set the tilt, secure, and you're done. Ideal for living rooms, kitchens, bedrooms, or any space where a clean, streamlined aesthetic is essential, the ST03 combines style, convenience, and reliability.

SPECIFICATIONS	
LCD/LED Size	40” – 60”
Maximum Weight Capacity	60 Kgs
Distance From Wall To TV	62mm
VESA	Max VESA 700x400mm
Colour	Black
Application	Fits most medium to large 40” - 60” TV's



ST04 – Tilt LCD/LED/Plasma Bracket 46” - 85+”

The **SureMount®** ST04 Fixed TV Mount provides a sleek, hassle-free solution for securely mounting 46”–85+” flat-panel TVs. Designed for universal compatibility, it supports VESA patterns up to 800x400mm, with the option to extend to 800x700mm using the SADAPTOR8 extension arms, making it ideal for nearly all large-format TVs. Its adjustable tilt range of +/- 15° ensures effortless customization for the perfect viewing angle. Installation is quick and straightforward—just align, set the tilt, secure, and you're done. Whether it's for living rooms, kitchens, bedrooms, or any space where a clean, streamlined aesthetic matters, the ST04 delivers a perfect blend of style, convenience, and reliability.



SPECIFICATIONS	
LCD/LED Size	46” - 65+”
Maximum Weight Capacity	100 Kgs
Distance From Wall To TV	62mm
VESA	Max VESA 800x400mm*
Colour	Black
Application	Fits most large 46” - 65+” TV's

* Can be extended to VESA 800x700 with SADAPTOR8 extension arms

Pole Mounts

SFCPOLECMP – Video Wall Pole Clamp (50mm)



The SureMount SFCPOLECMP Video Wall Pole Clamp is perfect for attaching the video wall aluminium rails to vertical poles 50mm in diameter. Used predominately with the [SFC1B1](#) Floor To Ceiling Pole Mount and the [SMCM80XL](#) large tv ceiling mount. Just add the TV mounting arms to the Aluminium Rail and you have yourself a pole mounted system.

Used in conjunction with the following components:

Mounting Arms

- SARFIX100 Fixed Monitor Mount - (VESA 75x75 or 100x100, Max Weight 10kgs)
- SARTILT100 Tilting Monitor Mount – (VESA 75x75 or 100x100, Max Weight 10kgs)
- SARFIX400 Fixed Screen Mount - (VESA 100x100 up to 600x400, Max Weight 50kgs)
- SARFIX600 Fixed Screen Mount – (VESA 100x100 up to 600x600, Max Weight 50kgs)
- SARTILT400 Tilting Screen Mount – (VESA 100x100 up to 600x400, Max Weight 50kgs)

Aluminium Rails

- SAR480 480mm Aluminium Rail
- SAR680 680mm Aluminium Rail
- SARENDCAP End Caps for a professional finish

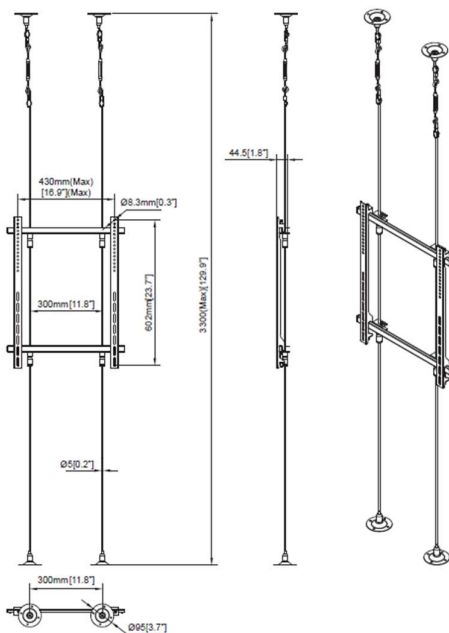


Floor To Ceiling Mounts

SWS1U-3M - 42"-65" Floor To Ceiling Wire TV Mount



The SureMount Floor To Ceiling Wire TV Mount system is a sleek solution that maximises aesthetics while minimizing footprint. Designed to make a sleek and well-designed almost invisible impression, this mount allows companies to create a platform for eye catching content delivery. This wire based system is both discreet and powerful. This mount is suspended on high tensile steel wire, which is a highly secure and stable foundation for displays up to 65" (max weight 25kg). There is the ability to position the screen at any point along the cable length, plus the choice of having the display in either landscape or portrait position. Installer friendly, these mounts are perfect for retail installations where space is at a premium. Simply cut the steel wire to the length you require and attach the specialised TV mount to it.



SPECIFICATIONS	
LCD/LED Size	42" – 65"
Maximum Weight Capacity	25 Kgs
Wire Length/Height	3000mm*
VESA	100x100 up to 400x600
Colour	Black
Application	Suitable for retail applications. Screens can be mounted landscape or portrait.

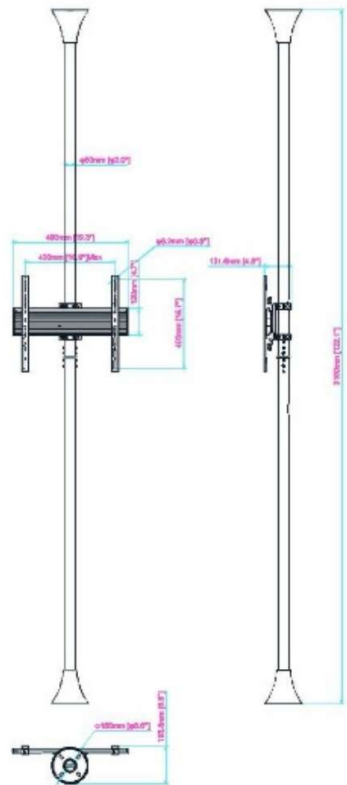
*Wire can be cut to suit the length you require.

SFC1B1 – 37"-75" Floor To Ceiling TV Pole Mount



The SureMount Floor To Ceiling TV Pole Mount is the perfect solution for office fit outs where you need to mount TV screens in a window or lobby. Made with light weight but strong aluminum the SFC1B1 is easy to install and is attractive offers a 360° swivel left and right movement. Suitable for 37" – 75" medium sized TVs that need to be mounted to a pole. Perfect for retail installations where space is at a premium. Easy to use. Simply cut the pole to the length you require and clamp the TV mount to the pole.

SPECIFICATIONS	
LCD/LED Size	37" – 75"
Maximum Weight Capacity	50 Kgs
Pole Height	1500mm to 3000mm*
VESA	100x100 up to 600x400
Colour	Black
Application	Suitable for retail applications. Screens can be mounted landscape or portrait.



Additional 800mm Extension poles (SMCM80XL-EXT800) can be added in order to get the height you require.

*Pole can be cut to suit height requirements and can be extended in 800mm increments.

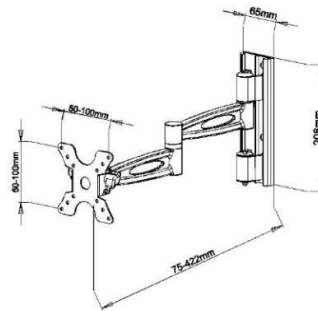
Full Motion TV Mounts

SCL01L – Full Motion TV Mount 15” – 24”



The **SureMount®** SCL01L Full Motion TV Mount offers full extension and tilt for small flat panel TVs. Perfect for corner mounting or side wall mounting for fully utilizing the viewing angle. Tilt +/- 15°. Locking system for mobile applications such as campervans and boats. Comes with full mounting kit for wall and TV fixing.

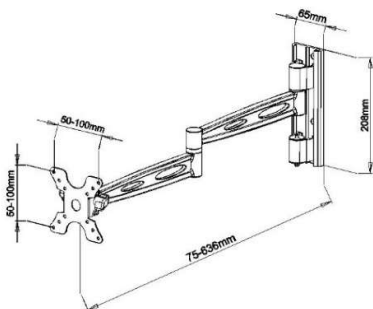
SPECIFICATIONS	
LCD/LED Size	15” – 24”
Maximum Weight Capacity	15 Kgs
Distance From Wall To TV	75mm to 422mm
VESA	50x50, 75x75, 100x100*
Colour	Black
Application	Specially designed for the RV and Marine markets



* Can be extended to VESA 200x200 with SADAPTOR1 extension bars

SCL01XL – Extra Long Extension Full Motion TV Mount 15” – 24”

The **SureMount®** SCL01XL Extra Long Extension Full Motion TV Mount offers full extra-long extension and tilt for small flat panel TVs. Perfect for corner mounting or side wall mounting for fully utilizing the viewing angle. Tilt +/- 15°. Locking system for mobile applications such as campervans and boats. Comes with full mounting kit for wall and TV fixing. Extends out 636mm from the mounting surface.



SPECIFICATIONS	
LCD/LED Size	15” – 24”
Maximum Weight Capacity	15 Kgs
Distance From Wall To TV	75mm to 636mm
VESA	50x50, 75x75, 100x100*
Colour	Black
Application	Specially designed for the RV and Marine markets

* Can be extended to VESA 200x200 with SADAPTOR1 extension bars

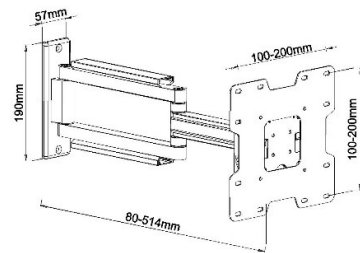
Full Motion TV Mounts

SCL02 – Full Motion TV Mount 15” – 37”



The **SureMount®** SCL02 Full Motion TV Mount offers full extension and tilt for medium flat panel TVs. Perfect for corner mounting or side wall mounting for fully utilizing the viewing angle. Tilt +/- 15°. Comes with full mounting kit for wall and TV fixing.

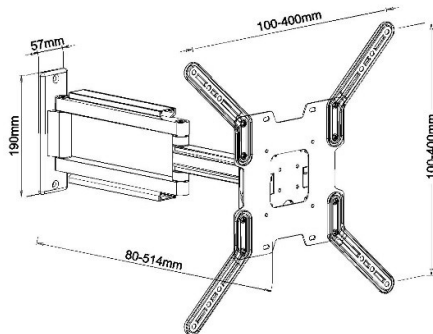
SPECIFICATIONS	
LCD/LED Size	15” – 37”
Maximum Weight Capacity	35 Kgs
Distance From Wall To TV	80mm to 514mm
VESA	Max VESA 200x200*
Colour	Black
Application	Offers full motion on almost any 15” – 37” LCD/LED TV



* Can be extended to (SCL02L) 50” screen and VESA 400x400 with SADAPTOR6 extension bars

SCL02L – Full Motion TV Mount 32” – 50”

The **SureMount®** The SureMount SCL02L Full Motion TV Mount offers full extension and tilt for 32” – 50” flat panel TVs. Perfect for corner mounting or side wall mounting for fully utilizing the viewing angle. Also has +/- 15° tilt. Comes with SADAPTOR6 for expanding the VESA to 400x400mm and full mounting kit for both wall and TV fixing.

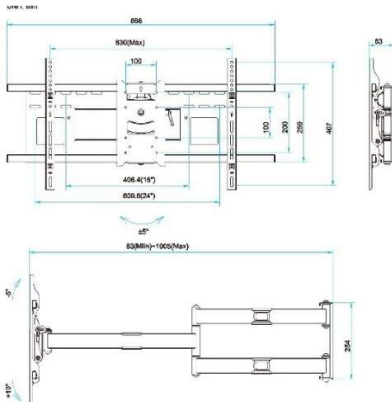


SPECIFICATIONS	
LCD/LED Size	32” – 50”
Maximum Weight Capacity	35 Kgs
Distance From Wall To TV	80mm to 514mm
VESA	Max VESA 400x400
Colour	Black
Application	Offers full motion on almost any 32” – 50” LCD/LED TV

Full Motion TV Mounts

SCL05XL – Extra Long Extension Full Motion TV Mount 42” – 80”

The SureMount® SCL05XL LCD/LED Extra Long Reach TV Mount is one of the longest reaching single arm cantilever bracket in New Zealand. This mount offers full motion movement and a staggering 1010mm extension for medium/large flat panel TVs. Perfect for extending your TV out from the wall when the need arises to give full 180° movement along with Tilt of +10° to -5°. The extra long reach makes it ideal for corner mounting or changing viewing angles to suit viewing from different rooms. Designed for the NZ 600mm wall stud. Comes with full mounting kit for wall and TV fixing. Includes cable management and adjustment leveling of +/-5°



SPECIFICATIONS	
LCD/LED Size	42” – 80”
Maximum Weight Capacity	35 Kgs
Distance From Wall To TV	83mm to 1010mm
VESA	Max VESA 800x400
Colour	Black
Application	Offers full motion on almost any 42” – 80” LCD/LED TV Back plate 670mm wide

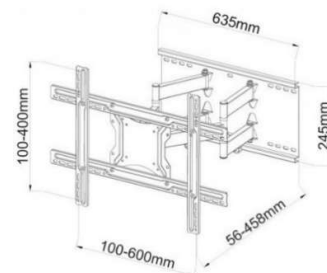
SCL06 – Full Motion TV Mount 40” – 65”



The SureMount® SCL06 Full Motion TV Mount is designed for 40” to 65” flat-screen TVs, providing full extension and adjustable tilt for versatile viewing. Its dual-arm cantilever design allows for near 90° left and right movement, while the tilt range of -2° to +12° ensures the optimal viewing angle. Engineered for New Zealand walls, it accommodates 635mm spacing with 600mm stud centres, making installation seamless. Perfect for wall

recesses or multi-position viewing, the SCL06 comes complete with a full mounting kit for both wall and TV attachment. Additionally, its interchangeable TV mounting arms support portrait mounting with VESA 400x600mm compatibility.

SPECIFICATIONS	
LCD/LED Size	40” – 65”
Maximum Weight Capacity	50 Kgs
Distance From Wall To TV	56mm to 458mm (42mm when 200x200 VESA used)
VESA	Max VESA 600x400
Colour	Black
Application	Full motion 32” – 55” TV’s



Front Arms 645x430mm

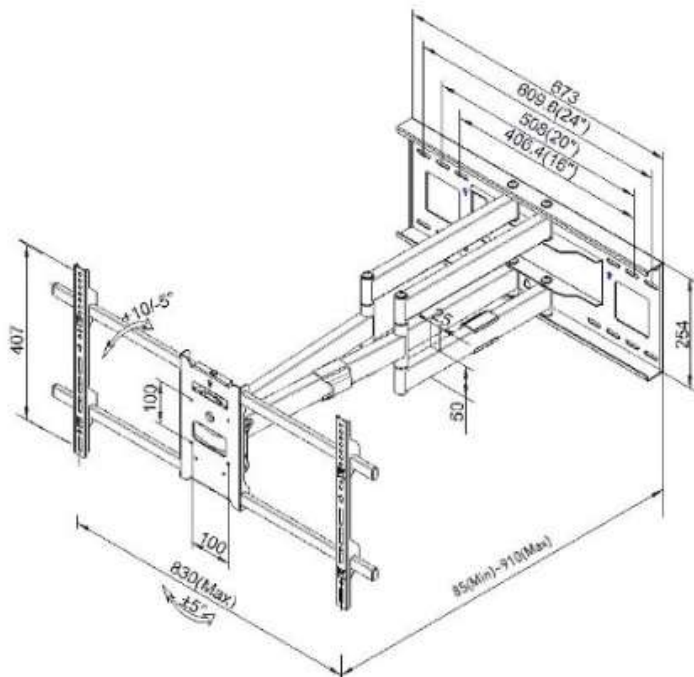
Full Motion TV Mounts

SCL10XL – Extra Long Extension Full Motion TV Mount 40” – 90”



The **SureMount®** SCL10XL LCD/LED Extra Long Reach TV Mount is one of the longest reaching dual arm cantilever brackets in New Zealand. This bracket offers full motion movement and a staggering 910mm extension for medium/large flat panel TVs. Perfect for extending your TV out from the wall when the need arises to give up to 120° swivel with tilt +10° to -5°. The extra-long reach makes it ideal for corner mounting or changing viewing angles to suit viewing from different rooms. Designed for the NZ 600mm wall stud. Comes with full mounting kit for wall and TV fixing. Includes cable management and adjustment leveling of +/-5°.

SPECIFICATIONS	
LCD/LED Size	42” – 90”
Maximum Weight Capacity	68 Kgs
Distance From Wall To TV	83mm to 910mm
VESA	Max VESA 800x400
Colour	Black
Application	Offers full motion on all large 42” – 90” LCD/LED TV



Full Motion TV Mounts

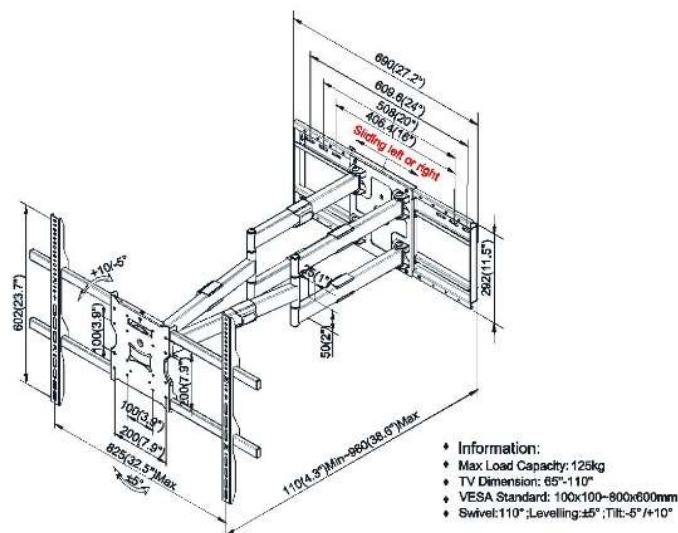
SCL11XL-HD – LCD/LED Heavy Duty Full Motion TV Mount 65” – 110”

The **SureMount®** SCL11XL-HD Extra Long Reach Heavy Duty Full Motion TV Mount is one of the strongest in the New Zealand market. The extra long 980mm extension allows you to find the perfect angle in any space. Constructed from high quality steel, the dual arm design can hold a staggering 125kgs for large and extra large flat panel TV’s.

Maximise your TV’s positioning and visibility with 110° swivel to giving you a better viewing experience. The extra long reach makes it ideal for corner mounting or changing viewing angles to suit viewing from different rooms. Designed for the NZ 600mm wall stud the unique sliding wall plate makes centering your TV a breeze. Comes with full mounting kit for wall and TV fixing.



SPECIFICATIONS	
LCD/LED Size	65” –110”
Maximum Weight Capacity	125 Kgs
Distance From Wall To TV	110mm to 980mm
VESA	Max VESA 800x600
Colour	Black
Application	Designed for use with extra large TV’s



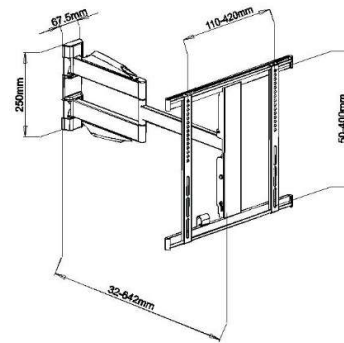
Slimline Full Motion TV Mounts

SCLSS01 – Slimline TV Mount 32” – 55”



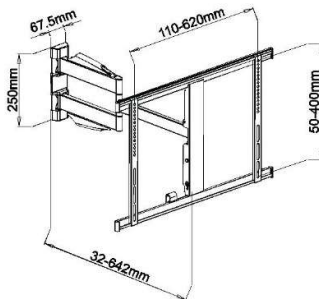
The **SureMount®** SCLSS01 Full Motion TV Mount offers 180° swivel. Full extension for medium flat panel TVs. Perfect for extending your TV out from the wall when the need arises. This is an ideal mount for flat wall mounting to give easy access to the rear of the TV or for across a corner. Can also tilt 15°. Comes with full mounting kit for wall and TV fixing.

SPECIFICATIONS	
LCD/LED Size	32” – 55”
Maximum Weight Capacity	20 Kgs
Distance From Wall To TV	32mm to 642mm
VESA	Max VESA 400x400
Colour	Black
Application	Offers full motion on almost all medium LCD/LED screens



SCLSS03 – Slimline TV Mount 40” – 65”

The **SureMount®** SCLSS03 Full Motion TV Mount offers 180° swivel. Full extension for medium/large flat panel TVs. Perfect for extending your TV out from the wall when the need arises. This is an ideal mount for flat wall mounting to give easy access to the rear of the TV or for across a corner. Can also tilt 15°. Comes with full mounting kit for wall and TV fixing.



SPECIFICATIONS	
LCD/LED Size	40” – 65”
Maximum Weight Capacity	20 Kgs
Distance From Wall To TV	32mm to 642mm
VESA	Max VESA 600x400
Colour	Black
Application	Offers full motion on almost all medium/large LCD/LED screens

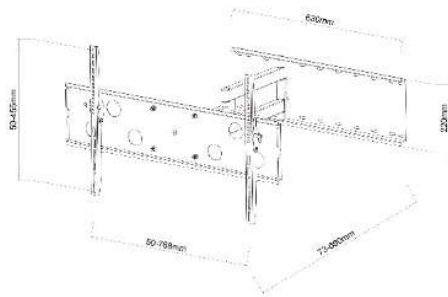
Corner TV Mounts

SCLSS07 – Corner TV Mount 42” – 60”+



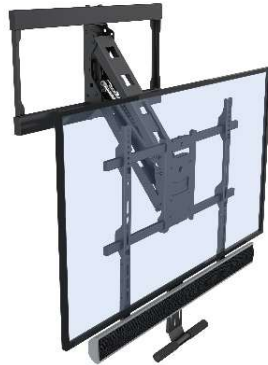
The **SureMount®** SCLSS07 Slimline Corner TV Mount offers full motion movement and full extension for large flat panel TVs. Can move either left or right 90°. Also offers a tilt up to 12°. Perfect for extending your TV out from the wall when the need arises. This is an ideal bracket for mounting across a corner as the pivot point is off-center. The bracket can be mounted with the pivot point on either the left or right hand side. Comes with full mounting kit for both wall and TV fixing.

SPECIFICATIONS	
LCD/LED Size	42” – 60”+
Maximum Weight Capacity	50 Kgs
Distance From Wall To TV	73mm to 660mm
VESA	Max VESA 700x400
Colour	Black
Application	Offers full motion on most medium/large LCD/LED’s



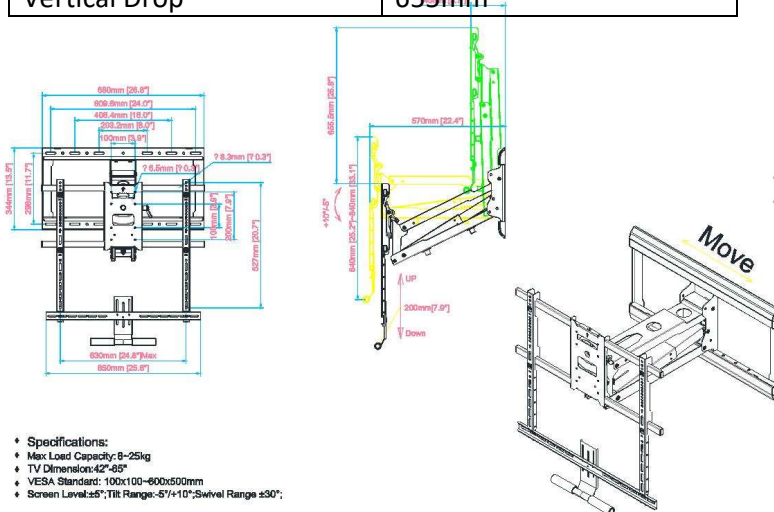
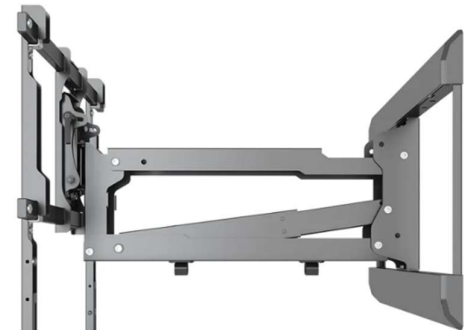
Pull Down TV Mounts

SMF600 – Above Fireplace Pull-down Full-motion TV Wall Mount 42” – 65”



The SureMount 42”-65” Above Fireplace TV Mount offers a smart solution for mounting your TV above a fireplace. With its innovative spring tension counterbalance system, it supports TVs weighing between 8-25 kg and features an easy-to-read adjustment scale, allowing you to achieve the perfect eye-level viewing position while seated. The mount also provides a full-motion range with 30° left and right swivel capabilities for optimal viewing angles and glare reduction. Plus, the sliding back plate simplifies the installation process, making it easy to position your screen exactly where you want it. Enjoy a stylish setup without compromising on comfort!

SPECIFICATIONS	
LCD/LED Size	42” – 65”
Maximum Weight Capacity	Between 8-25 Kgs Counter Balanced
Distance From Wall To TV	145mm to 570mm
VESA	Max VESA 600x500
Colour	Black
Application	Offers up and down full motion on most medium/large LCD/LED’s
Vertical Drop	655mm



- Specifications:
- Max Load Capacity: 8-25kg
- TV Dimension: 42”-65”
- VESA Standard: 100x100-600x500mm
- Screen Level: ±5°, Tilt Range: -5°/+10°, Swivel Range ±30°

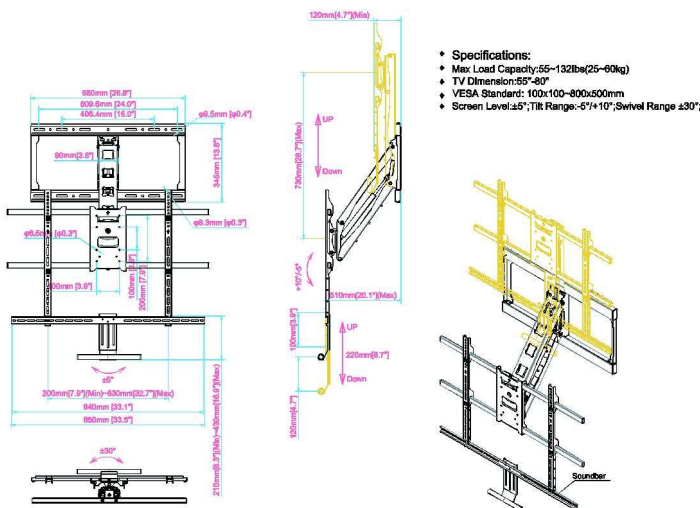
Pull Down TV Mounts

SMF800 – Above Fireplace Pull-down Full-motion TV Wall Mount 55” – 80”

The SureMount® SMF800 55”-80” Above Fireplace Pull-down Full-motion TV Wall Mount allows for effortless vertical positioning of your TV. Designed to be installed above a fireplace or mantel, its adjustable gas strut arm reaches down to achieve eye-level viewing while seated. With a massive 730mm counter balanced vertical movement and 120-510mm distance from the wall to the back of the TV, this TV mount will have your TV set to your optimum viewing angle in no time. The full motion caters for those that need to alter the angle of the TV (30 degree swivel left and right) to suit their seating arrangements or reduce glare.



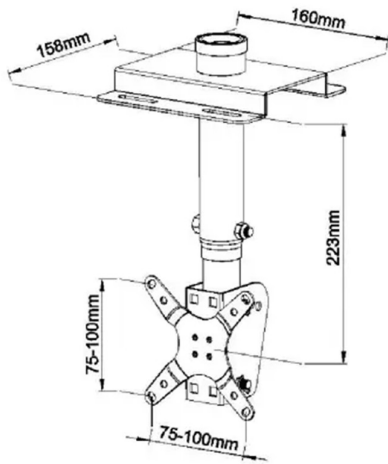
SPECIFICATIONS	
LCD/LED Size	55” – 80”
Maximum Weight Capacity	Between 25-60 Kgs Counter Balanced
Distance From Wall To TV	120mm to 510mm
VESA	Max VESA 800x500
Colour	Black
Application	Offers up and down full motion on most medium/large LCD/LED’s
Vertical Drop	730mm



Ceiling Mount TV Brackets

SCPLB102-11 – 13”-27” Suspended Ceiling TV Mount

The SureMount CPLB102-11 is a suspended ceiling TV mount which is perfect for mounting a light weight screen underneath a suspended ceiling with the use of a board on top of the ceiling tiles to distribute the weight. The mount has a +/-15 degree tilt to get the monitor angle just right from ground level. Can swivel 360 degrees to improve viewing angle from any direction.



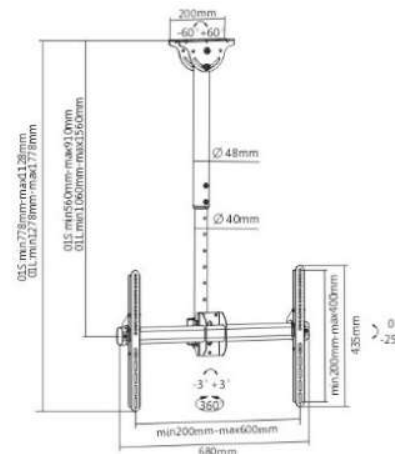
SPECIFICATIONS	
LCD/LED Size	32" – 40" +
Maximum Weight Capacity	45 Kgs
Distance From Ceiling To TV	360mm to 1000mm
VESA	Max VESA 300x500
Colour	Black
Application	Ceiling mount for 32" – 40"+ flat panel TV's

SPLB-CE946-01S – Short Extension Ceiling Mount 37” – 75”



The SPLB-CE946-01S is a full-motion ceiling mount designed to offer the ultimate in versatility and universal compatibility. Tilting ceiling plate for flat and sloping ceiling application. It allows displays to tilt down and swivel around the pole without tools. Includes VESA plate to accommodate virtually any 37" - 75" LCD TV or monitor up to 50 kg. Features adjustable height 560 - 910 mm for perfect TV positioning and a wire management channel to keep cables concealed and organized.

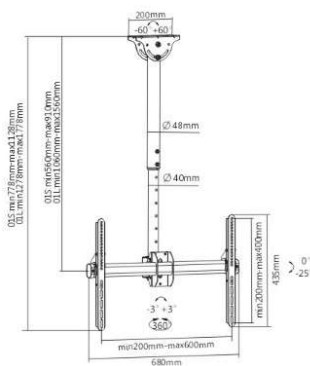
SPECIFICATIONS	
LCD/LED Size	37" – 75"
Maximum Weight Capacity	50 Kgs
Distance From Ceiling To TV	560mm to 910mm
VESA	Max VESA 600x400
Colour	Black
Application	Ceiling mount for 37" – 75" flat panel TV's



Ceiling Mount TV Brackets

SPLB-CE946-01L – Long Extension Ceiling Mount 37” – 75”

The SPLB-CE946-01L is a full-motion ceiling mount designed to offer the ultimate in versatility and universal compatibility. Tilting ceiling plate for flat and sloping ceiling application. It allows displays to tilt down and swivel around the pole without tools. Includes VESA plate to accommodate virtually any 37" - 75" LCD TV or monitor up to 50 kg . Features adjustable height 1060-1560 mm for perfect TV positioning and a wire management channel to keep cables concealed and organized.



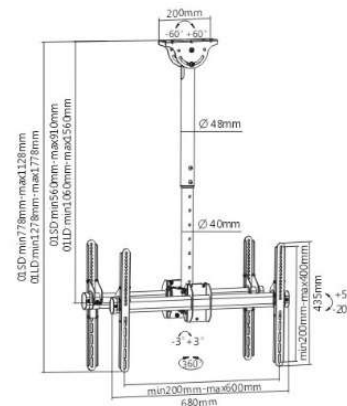
SPECIFICATIONS	
LCD/LED Size	37” – 75”
Maximum Weight Capacity	50 Kgs
Distance From Ceiling To TV	1060mm to 1560mm
VESA	Max VESA 600x400
Colour	Black
Application	Ceiling mount for 37” – 75” flat panel TV’s

SPLB-CE946-01D – Dual long Extension Ceiling Mount 37” – 75”



The SPLB-CE946-01D is a flexible ceiling mount designed to provide extra possibilities by allowing two screens to be placed back-to-back. Tilting ceiling plate for flat and sloping ceiling application. It allows displays to tilt and swivel around the pole without tools. Universal mounting pattern fits virtually any 37" - 75" flat panel TVs. Each mount holds up to 45kg / 99lbs. Features adjustable height for perfect TV positioning and a wire management channel to keep cables concealed and organized.

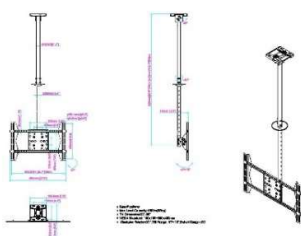
SPECIFICATIONS	
LCD/LED Size	37” – 75”
Maximum Weight Capacity	45 Kgs on each bracket
Distance From Ceiling To TV	1060mm to 1560mm
VESA	Max VESA 600x400
Colour	Black
Application	Dual ceiling mount for 37” – 75” flat panel TV’s Distance between screens is 260mm



Ceiling Mount TV Brackets

SMCM300L – 3000mm Long Extn Ceiling Mount 42” – 80”

The **SureMount®** SMCM300L Adjustable ceiling mount is customisable to extend between 860mm and a massive 3130mm from the mounting point. More 800mm poles can be added to extend the drop. No limit on the number of poles that can be added. Bracket can swivel 30° left or right to cater for multiple viewing area options. Also offers a -5° to +10° tilt and is suitable for sloping ceilings right up to 90°. Accommodating screens between 42”-80” this bracket can cater for landscape to Portrait rotating for simple setup without the need to de-mount the TV. The heavy duty ceiling plate and integrated cable management provides a professional, clean and tidy finish. Full mounting kit for both ceiling and TV fixing along with a decorative ring for plaster ceiling installations included.



SPECIFICATIONS	
LCD/LED Size	42” – 80”
Maximum Weight Capacity	68 Kgs
Distance From Ceiling To TV	860mm to 3130mm*
VESA	Max VESA 600x400
Colour	Black
Application	Ceiling mount for 42” – 80” flat panel TV’s

*(SMCM300L-EXTPOLE) 1500mm Extension poles are available should you need further drop.

SMCM300D – Back to Back Long Extn Ceiling Mount 42” – 80”

The **SureMount®** SMCM300D Adjustable ceiling mount comes with all the features of the SMCM300L mentioned above but can mount two TV’s back to back.

SPECIFICATIONS	
LCD/LED Size	37” – 75”
Maximum Weight Capacity	45 Kgs on each bracket
Distance From Ceiling To TV	1060mm to 1560mm
VESA	Max VESA 600x400
Colour	Black
Application	Back to back Dual ceiling mount. Distance between screens is 260mm



Ceiling Mount TV Brackets

SMCM211 – Folding LCD Ceiling/Under Cabinet Mount 13” – 27”

Enjoy your favourite TV shows everywhere. Cook along with your favourite food program in the kitchen. A handy way to mount a small flat screen TV in a cabinet or around a corner in your kitchen, workspace and children’s room. This ceiling mount can fold for saving space and available for pitched ceiling installation. Its swivel, sliding mount can be set to offer the best viewing angle. It supports most 13” - 27” monitors up to 20kgs and the strength has been tested for a minimum of three times its stated load capacity.



Key Measurements:

- 80mm from ceiling to back of TV when in folded up position
- Mounting plate 105mm wide by 165mm deep
- 215mm from ceiling to middle of mounting holes when folded down
- 165mm from top of TV to top mounting hole when working out the clearance required for a 32” to work with this TV bracket. May need to add a block of wood to ceiling plate to make it work comfortably for a 32” TV
- 175-280mm vertical slide giving you the ability to set the TV in the correct position

SPECIFICATIONS	
LCD/LED Size	13” – 27”
Maximum Weight Capacity	20 Kgs
Distance From Ceiling To TV	N/A
VESA	Max VESA 100x100*
Colour	Black
Application	Under Ceiling/Cabinet Mount for most 13” -27” LCD/LED TV’s

* Can be extended to VESA 200x200 with SADAPTOR1 extension bars

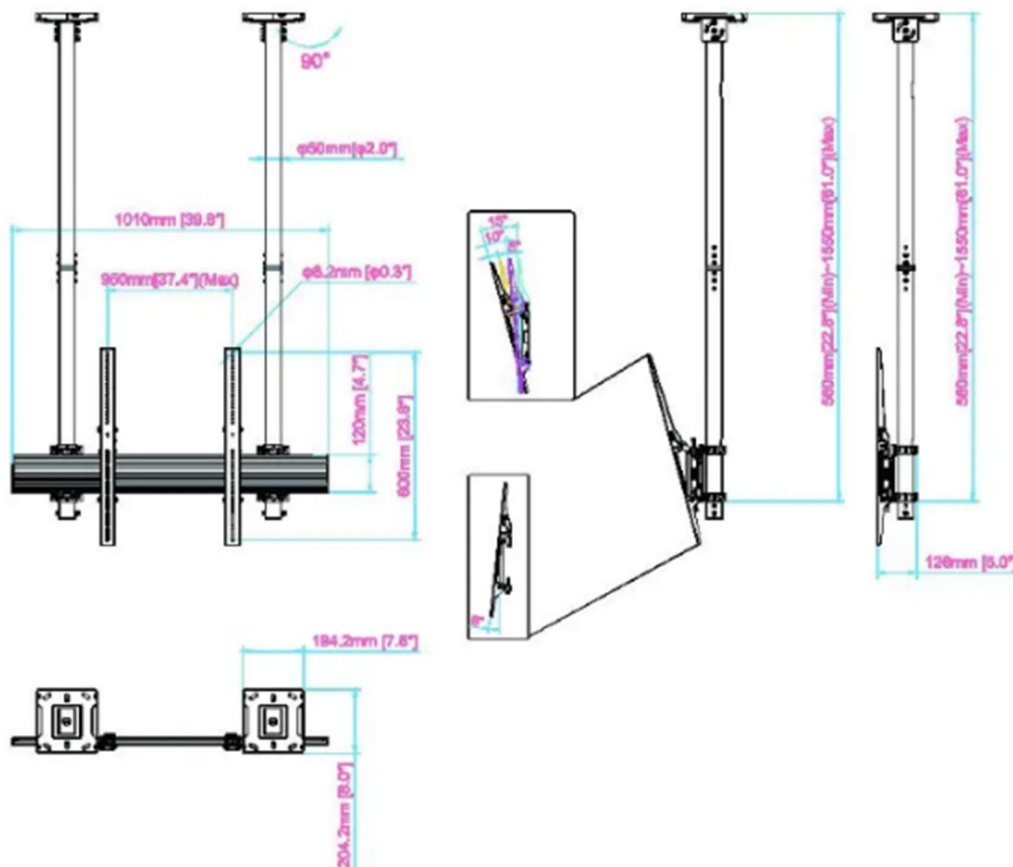
Ceiling Mount TV Brackets

SMCM80XL – 40"-100" Large TV Ceiling Mount – 1550mm Drop



The **SureMount®** SMCM80XL Large Screen Ceiling Bracket is the ideal solution for securely hanging medium to large-sized screens from the ceiling. Its dual-pole design ensures stability, preventing screen movement near accessways. The variable tilt range of +15° to -5°—paired with a locking pin mechanism—allows for precise positioning and the perfect viewing angle. The adjustable drop can be extended or reduced in 800mm increments by adding or removing poles, offering customizable installation flexibility. Designed for commercial environments, the SMCM80XL delivers superior performance, a professional aesthetic, and unwavering stability for mounting large TV's from the ceiling.

SPECIFICATIONS	
LCD/LED Size	40" – 110"
Maximum Weight Capacity	135 Kgs
Distance From Ceiling To TV	N/A
VESA	Max VESA 900x600
Colour	Black
Application	Up to 90deg sloping or flat large TV ceiling mount

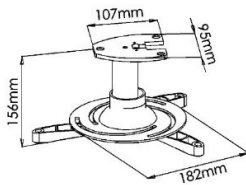


Projector Mounts

SPM01 – Fixed Projector Mount



The **SureMount®** SPM01 Fixed Projector Mount offers universal compatibility, fitting 95% of all DLP and LCD projectors on the market. With a 15kg weight capacity and an adjustable 30° projector tilt, it ensures optimal positioning for a perfect viewing experience. Built from solid extruded aluminum, it delivers exceptional durability and strength. The integrated cable management system keeps wiring neat and organized, enhancing both aesthetics and functionality. Available in Black or White, the SPM01 comes fully equipped with a complete mounting kit for secure and hassle-free installation.



SPECIFICATIONS	
Projector Size	3 or 4 hole projectors
Maximum Weight Capacity	15 Kgs
Ceiling Plate Adjustment	Fixed
Projector Adjustment	30°
Projector Arm Spread	320mm* (220x220mm square)
Projector Drop	135mm
Colour	Black or White
Application	Universal ceiling projector mount

* Projector arms can be extended to 380mm (or 260x260mm square) with SMPLB or SMPLW extension feet

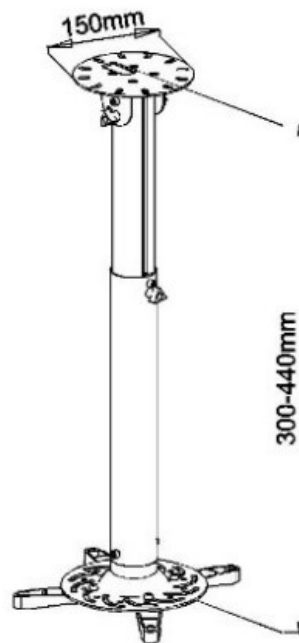
Projector Mounts

SPM02 – Extendable Projector Mount

The **SureMount®** SPM02 Extendable Projector Mount is designed for universal compatibility, fitting 95% of all DLP and LCD projectors on the market. With a 15kg weight capacity and an adjustable 30° tilt, it ensures precise positioning for an optimal viewing experience. Engineered for sloping ceilings up to 45°, the solid extruded aluminum construction of the SPM02 offers exceptional durability and strength. Its integrated cable management system keeps wiring neat and organized. Featuring a ceiling drop extension range of 300mm–440mm, it accommodates varying mounting needs. Available in Black or White, the SPM02 comes fully equipped with a complete mounting kit for secure and hassle-free installation.

SPECIFICATIONS	
Projector Size	3 or 4 hole projectors
Maximum Weight Capacity	15 Kgs
Ceiling Plate Adjustment	45°
Projector Adjustment	30°
Projector Arm Spread	320mm* (220x220mm square)
Projector Drop	300mm – 440mm
Colour	Black or White
Application	Adjustable ceiling projector mount

* Projector arms can be extended to 380mm (or 260x260mm square) with SMPLB or SMPLW extension feet



Projector Mounts

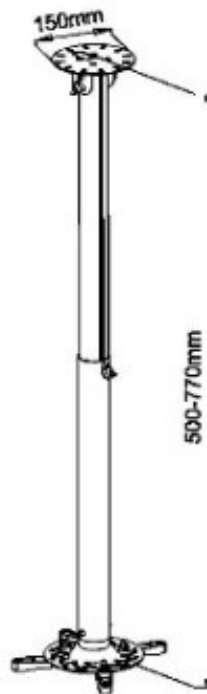
SPM03 – Extendable Projector Mount



The **SureMount®** SPM03 Extendable Projector Mount is designed for universal compatibility, fitting 95% of all DLP and LCD projectors on the market. With a 15kg weight capacity and an adjustable 30° tilt, it ensures precise positioning for an optimal viewing experience. Engineered for sloping ceilings up to 45°, the solid extruded aluminum construction of the SPM03 offers exceptional durability and strength. Its integrated cable management system keeps wiring neat and organized. Featuring a ceiling drop extension range of 500mm–770mm, it accommodates varying mounting needs. Available in Black or White, the SPM03 comes fully equipped with a complete mounting kit for secure and hassle-free installation.

SPECIFICATIONS	
Projector Size	3 or 4 hole projectors
Maximum Weight Capacity	15 Kgs
Ceiling Plate Adjustment	45°
Projector Adjustment	30°
Projector Arm Spread	320mm* (220x220mm square)
Projector Drop	500mm – 770mm
Colour	Black or White
Application	Adjustable ceiling projector mount

* Projector arms can be extended to 380mm (or 260x260mm square) with SMPLB or SMPLW extension feet



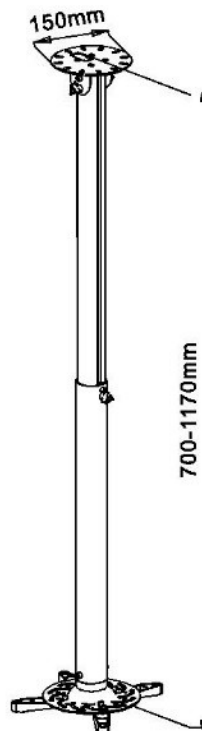
Projector Mounts

SPM04 – Extendable Projector Mount

The **SureMount®** SPM04 Extendable Projector Mount is designed for universal compatibility, fitting 95% of all DLP and LCD projectors on the market. With a 15kg weight capacity and an adjustable 30° tilt, it ensures precise positioning for an optimal viewing experience. Engineered for sloping ceilings up to 45°, the solid extruded aluminum construction of the SPM04 offers exceptional durability and strength. Its integrated cable management system keeps wiring neat and organized. Featuring a ceiling drop extension range of 700mm–1170mm, it accommodates varying mounting needs. Available in Black or White, the SPM04 comes fully equipped with a complete mounting kit for secure and hassle-free installation.

SPECIFICATIONS	
Projector Size	3 or 4 hole projectors
Maximum Weight Capacity	15 Kgs
Ceiling Plate Adjustment	45°
Projector Adjustment	30°
Projector Arm Spread	320mm*(220x220mm square)
Projector Drop	700mm – 1170mm
Colour	Black or White
Application	Adjustable ceiling projector mount

* Projector arms can be extended to 380mm (or 260x260mm square) with SMPLB or SMPLW extension feet



Projector Mounts

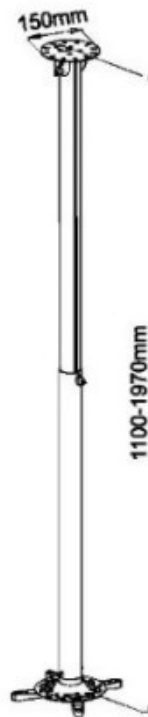
SPM05 – Extendable Projector Mount



The **SureMount®** SPM05 Extendable Projector Mount is designed for universal compatibility, fitting 95% of all DLP and LCD projectors on the market. With a 15kg weight capacity and an adjustable 30° tilt, it ensures precise positioning for an optimal viewing experience. Engineered for sloping ceilings up to 45°, the solid extruded aluminum construction of the SPM05 offers exceptional durability and strength. Its integrated cable management system keeps wiring neat and organized. Featuring a ceiling drop extension range of 1000mm–1970mm, it accommodates varying mounting needs. Available in Black or White, the SPM05 comes fully equipped with a complete mounting kit for secure and hassle-free installation.

SPECIFICATIONS	
Projector Size	3 or 4 hole projectors
Maximum Weight Capacity	15 Kgs
Ceiling Plate Adjustment	45°
Projector Adjustment	30°
Projector Arm Spread	320mm* (220x220mm square)
Projector Drop	1000mm – 1970mm
Colour	Black or White
Application	Adjustable ceiling projector mount

* Projector arms can be extended to 380mm (or 260x260mm square) with SMPLB or SMPLW extension feet



Projector Mounts

SPWM04 – Extendable Wall Projector Mount

The **SureMount®** SPWM04 Extendable wall projector mount is perfect for most projectors on the market. Weight capacity 15kg and can tilt 30°. Solid extruded aluminum construction adds quality and strength. Has integrated cable management. Fits 95% of all DLP and LCD projectors on the market. Comes with full mounting kit and is available in Black or White. Extension from 235mm – 310mm.



SPECIFICATIONS	
Projector Size	3 or 4 hole projectors
Maximum Weight Capacity	15 Kgs
Projector Adjustment	30°
Projector Arm Spread	320mm* (220x220mm square)
Extension From Wall	235mm – 310mm
Colour	Black or White
Application	Adjustable wall projector mount

* Projector arms can be extended to 380mm (or 260x260mm square) with SMPLB or SMPLW extension feet

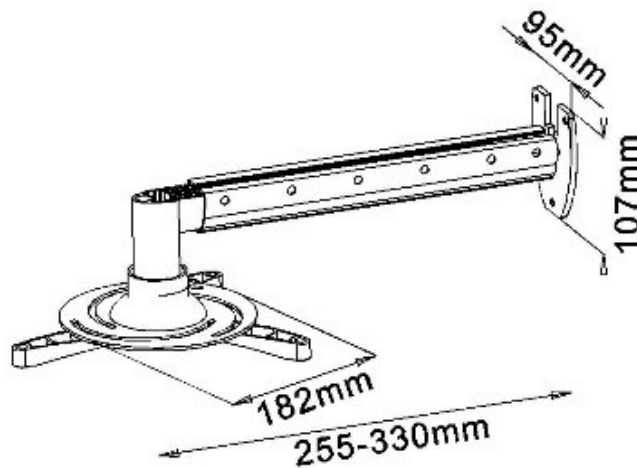


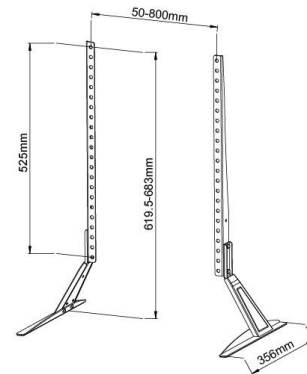
Table Top Stands

SDS201 – 37”-65” Table Top TV Stand Legs



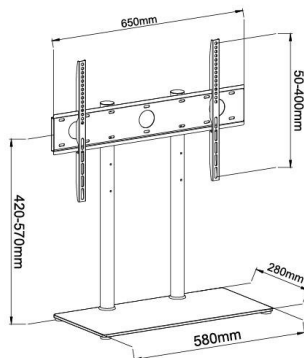
The **SureMount®** SDS201 are a set of Universal Table Top TV Stand Legs that are perfect for people who have lost their original TV stand or are renting and are unable to fix anything to the walls. Watch for stability on 65” screens, especially where the horizontal VESA is small. Recommended for screens under 55”. Larger screens are more stable on table top stands like the SDS302 and SMPS1.

SPECIFICATIONS	
Plasma/LCD/LED Size	37” – 65”
Maximum Weight Capacity	50 Kgs
Distance From Wall To TV	N/A
VESA	Max VESA 800x400
Colour	Black
Application	Table top stand



SDS302 – 32”-65” Table Top TV Stand Dual Leg

The **SureMount®** SDS302 is a Universal Table Top TV Stand (Dual Leg) that is perfect for people who have lost their original TV stand or are renting and are unable to fix anything to the walls. Contemporary design with a 12mm tempered glass base. Comes with TV mounting kit.



SPECIFICATIONS	
Plasma/LCD/LED Size	32” – 65”
Maximum Weight Capacity	50 Kgs
Adjustable Height	420-570mm
VESA	Max VESA 800x400
Colour	Black
Application	Table top stand

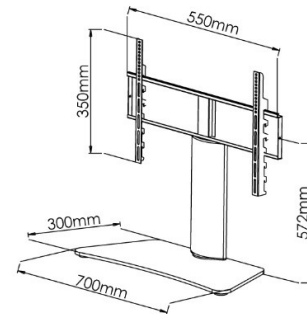
Table Top Stands

SMPS1S – Plasma/LCD/LED Table Top Stand 24”- 40”



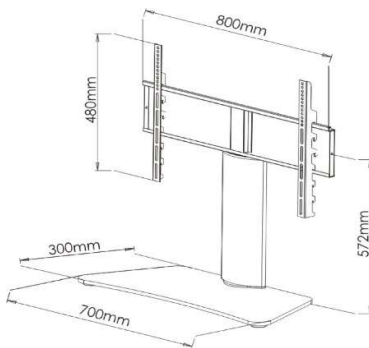
The **SureMount®** SMPS1S is a Universal Table Top Stand that will fit most of the LCD's and Plasmas on the market from 24" – 40". It has a 30° swivel and a cable management system. The base is 12mm Tempered glass. This stand is perfect for people who have lost their original TV stand or are renting and are unable to fix anything to the walls.

SPECIFICATIONS	
Plasma/LCD/LED Size	24" – 40"
Maximum Weight Capacity	60 Kgs
Distance From Wall To TV	N/A
VESA	From 200x100mm to max VESA 500x300mm
Colour	Black
Application	Table top stand



SMPS1 – Plasma/LCD/LED Table Top Stand 40”- 65”+

The **SureMount®** SMPS1 is a Universal Table Top Stand that will fit most of the LCD's and Plasmas on the market from 40" – 65"+. It has a 30° swivel and a cable management system. The base is 12mm Tempered glass. This stand is perfect for people who have lost their original TV stand or are renting and are unable to fix anything to the walls.



SPECIFICATIONS	
Plasma/LCD/LED Size	40" – 65"+
Maximum Weight Capacity	60 Kgs
Distance From Wall To TV	N/A
VESA	From 200x100mm to max VESA 700x400
Colour	Black
Application	Table top stand

Mobile Stands

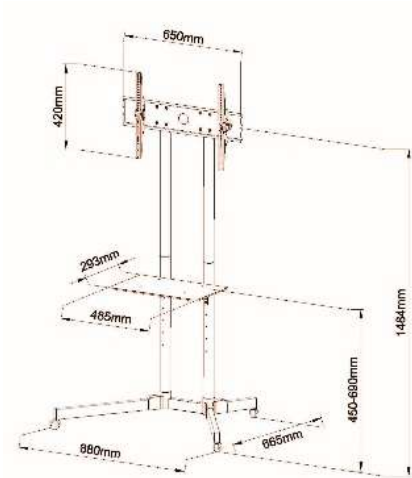
SMFPFS2 – Flat Panel Moveable Stand 32” – 60”



The **SureMount®** SMFPFS2 Flat panel moveable stand is perfect for offices/conventions/boardrooms/schools where a moveable flat panel solutions is required. The TV bracket and shelf are height adjustable. On lockable castors for easy placement, can hold TVs from 32” to 60”. Tilt function +/-15°. Height Adjustable 1m – 1.5m. Cable management system.

SPECIFICATIONS	
LCD/LED Size	32” – 60”
Maximum Weight Capacity	60 Kgs
VESA	Max VESA 600x400mm
Colour	Black
Application	Moveable stand for LCD/LED TV’s

*2nd Shelf can be added at additional cost.



Motorised TV Lifts

SMLFT-S650 – 32”-48” Motorised TV Lift (650mm Travel)



Upgrade your entertainment setup with the **SureMount** Remote-Controlled 32”-48” Motorised TV Lift—a premium solution for discreetly concealing and effortlessly elevating your TV.

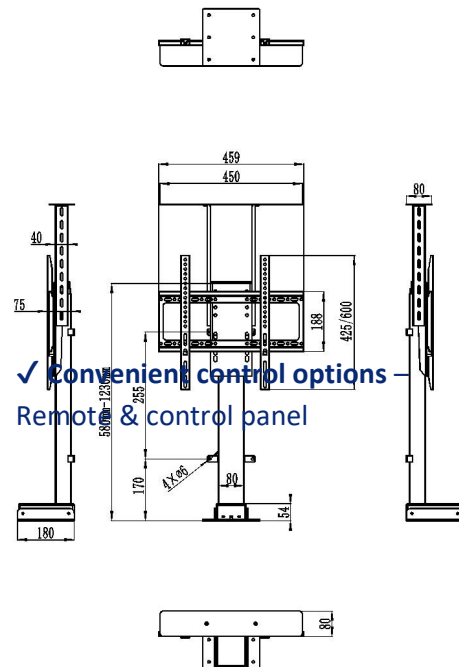
Designed to accommodate TVs up to 48” (and larger) with a maximum VESA of 400×400mm, this powerful lift features a 1000N motor that operates smoothly and quietly (<50dB) at a speed of 30mm per second, ensuring precise positioning without slippage. With a weight capacity of up to 80kg and an adjustable height range from 580mm to 1230mm, it delivers exceptional flexibility and stability.

Ideal for custom-built cabinets or cupboards, this motorised lift allows you to hide your TV when not in use, maintaining a clean and modern aesthetic. Control is effortless via the integrated control panel or the included remote, which also features preset memory buttons for quick, one-touch adjustments. The motorised lift unit can also be ceiling-mounted, giving you the flexibility to position your TV at the optimal viewing angle for any space. Talk to your builder or cabinet maker today about incorporating a motorised lift in your house.

Key Features:

- ✓ Fits 32”-48” TVs for versatile compatibility
- ✓ Supports VESA from 200×200 up to 400×400
- ✓ Height adjustable from 580mm to 1230mm
- ✓ Ceiling-mountable option for optimal viewing angles
- ✓ Smooth & quiet operation (<50dB) for minimal noise
- ✓ Powerful 1000N motor with a lifting speed of 30mm/s
- ✓ Supports up to 80kg for secure mounting

SPECIFICATIONS	
LCD/LED Size	32” – 48”
Maximum Lifting Capacity	80 Kgs
VESA	Max VESA 400x400mm
Travel	650mm
Application	Floor Fixed or Ceiling Hung



Note: These lifts do not come with cabinets.

SMLFT-S1000 – 42”-65” Motorised TV Lift (1000mm Travel)



Upgrade your entertainment setup with the **SureMount** Remote-Controlled 42”-65” Motorised TV Lift—a premium solution for discreetly concealing and effortlessly elevating your TV.

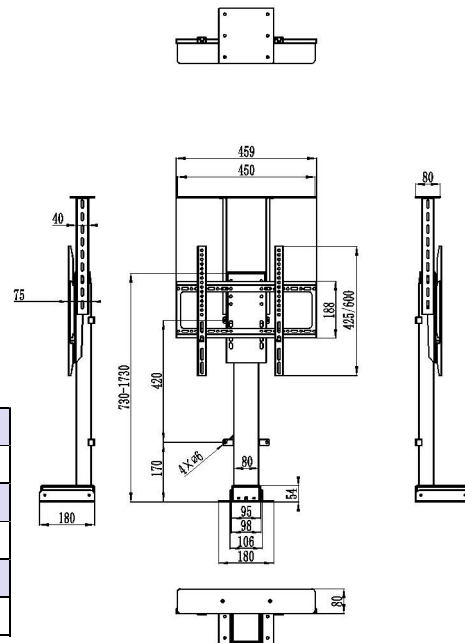
Designed to accommodate TVs up to 65” (and larger) with a maximum VESA of 400×400mm, this powerful lift features a 1000N motor that operates smoothly and quietly (<50dB) at a speed of 30mm per second, ensuring precise positioning without slippage. With a weight capacity of up to 80kg and an adjustable height range from 730mm to 1730mm, it delivers exceptional flexibility and stability.

Ideal for custom-built cabinets or cupboards, this motorised lift allows you to hide your TV when not in use, maintaining a clean and modern aesthetic. Control is effortless via the integrated control panel or the included remote, which also features preset memory buttons for quick, one-touch adjustments. The motorised lift unit can also be ceiling-mounted, giving you the flexibility to position your TV at the optimal viewing angle for any space. Talk to your builder or cabinet maker today about incorporating a motorised lift in your house.

Key Features:

- ✓ Fits 42”-65” TVs for versatile compatibility
- ✓ Supports VESA from 200×200 up to 400×400
- ✓ Height adjustable from 730mm to 1730mm
- ✓ Ceiling-mountable option for optimal viewing angles
- ✓ Smooth & quiet operation (<50dB) for minimal noise
- ✓ Powerful 1000N motor with a lifting speed of 30mm/s
- ✓ Supports up to 80kg for secure mounting
- ✓ Convenient control options – Remote & control panel

SPECIFICATIONS	
LCD/LED Size	42” – 65”
Maximum Lifting Capacity	80 Kgs
VESA	Max VESA 400x400mm
Travel	1000mm
Application	Floor Fixed or Ceiling Hung



Note: These lifts do not come with cabinets.

Motorised TV Lifts

SMLFT-S1300 – 55”-75” Motorised TV Lift (1300mm Travel)



Upgrade your entertainment setup with the **SureMount** Remote-Controlled 55”-75” Motorised TV Lift—a premium solution for discreetly concealing and effortlessly elevating your TV.

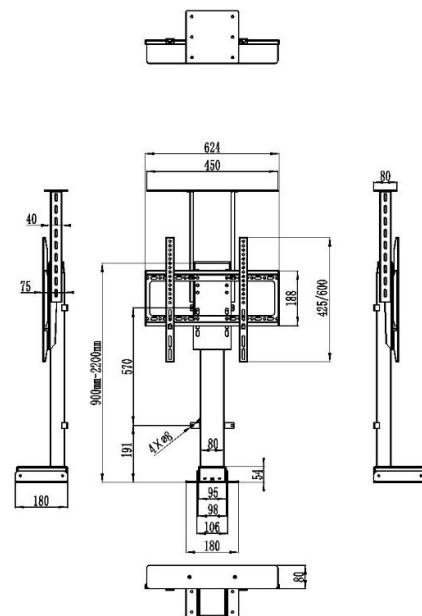
Designed to accommodate TVs up to 75” (and larger) with a maximum VESA of 600×400mm, this powerful lift features a 1000N motor that operates smoothly and quietly (<50dB) at a speed of 30mm per second, ensuring precise positioning without slippage. With a weight capacity of up to 80kg and an adjustable height range from 900mm to 2200mm, it delivers exceptional flexibility and stability.

Ideal for custom-built cabinets or cupboards, this motorised lift allows you to hide your TV when not in use, maintaining a clean and modern aesthetic. Control is effortless via the integrated control panel or the included remote, which also features preset memory buttons for quick, one-touch adjustments. The motorised lift unit can also be ceiling-mounted, giving you the flexibility to position your TV at the optimal viewing angle for any space. Talk to your builder or cabinet maker today about incorporating a motorised lift in your house.

Key Features:

- ✓ Fits 55”-75” TVs for versatile compatibility
- ✓ Supports VESA from 200×200 up to 400×400
- ✓ Height adjustable from 900mm to 2200mm
- ✓ Ceiling-mountable option for optimal viewing angles
- ✓ Smooth & quiet operation (<50dB) for minimal noise
- ✓ Powerful 1000N motor with a lifting speed of 30mm/s
- ✓ Supports up to 80kg for secure mounting
- ✓ Convenient control options – Remote & control panel

SPECIFICATIONS	
LCD/LED Size	55” – 75”
Maximum Lifting Capacity	80 Kgs
VESA	Max VESA 600x400mm
Travel	1300mm
Application	Floor Fixed or Ceiling Hung



Note: These lifts do not come with cabinets.

Motorised TV Lifts

SMFDC50 – Motorised Fold Down TV Ceiling Mount



Introducing the SureMount Remote Controlled Motorised TV Ceiling Mount, designed to accommodate TVs ranging from small to large, weighing up to 50kgs. Unlike belt-driven models, these units are actuator-driven, offering superior speed, power, and reliability without the risk of slipping. Ideal for both flat and sloping ceilings, this mount supports screens with VESA patterns from 200x200mm up to 600x600mm.

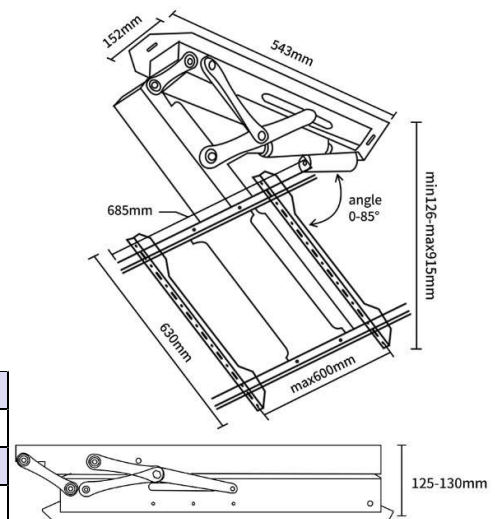
The fully adjustable lift unit allows precise positioning from 0 to 85°, ensuring optimal viewing angles at all times. An easy and efficient way to maximise the space in your room. Simply bring the screen down when needed and put it back up when not required.

Control is convenient and flexible, whether from the integrated control panel or the included remote control, providing effortless operation wherever you are in the room. You are able to preset the memory buttons on your remote to position your TV anywhere from 0° to 85° and the single push of a button.

Features:

- Fits most TV's sizes between 32-75"
- Weight capacity up to 50kgs
- Adjustable tilt angle 0° to 85°
- Mounting VESA 200x200 up to 600x600
- Suitable for flat or sloping ceilings
- Remote or handset control
- Quiet operation
- Collision avoidance system included

SPECIFICATIONS	
LCD/LED Size	32" – 75"
Maximum Lifting Capacity	50 Kgs
VESA	Max VESA 600x600mm
Travel	0° to 85°
Application	Ceiling Hung



Motorised TV Lifts

SMFDC80 – Motorised Fold Down TV Ceiling Mount



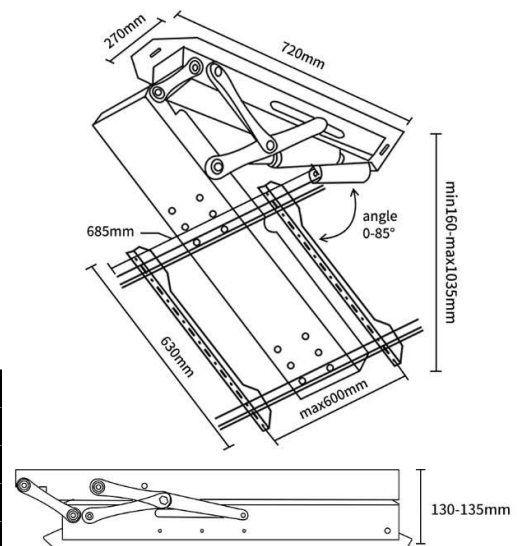
Introducing the SureMount Remote Controlled Motorised TV Ceiling Mount, designed to accommodate TVs ranging from small to large, weighing up to 80kgs. Unlike belt-driven models, these units are actuator-driven, offering superior speed, power, and reliability without the risk of slipping. Ideal for both flat and sloping ceilings, this mount supports screens with VESA patterns from 200x200mm up to 600x600mm. The fully adjustable lift unit allows precise positioning from 0 to 85°, ensuring optimal viewing angles at all times.

Control is convenient and flexible, whether from the integrated control panel or the included remote control, providing effortless operation wherever you are in the room.

Features:

- Fits most TV's sizes between 32-85"
- Weight capacity up to 80kgs
- Adjustable tilt angle 0° to 85°
- Mounting VESA 200x200 up to 600x600
- Suitable for flat or sloping ceilings
- Remote or handset control
- Quiet operation
- Collision avoidance system included

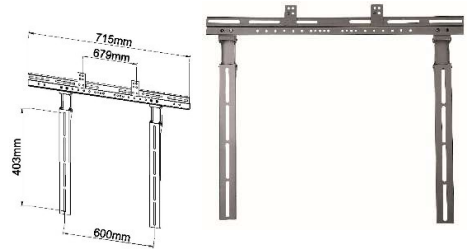
SPECIFICATIONS	
LCD/LED Size	32" – 85"
Maximum Lifting Capacity	80 Kgs
VESA	Max VESA 600x600mm
Travel	0° to 85°
Application	Ceiling Hung



Soundbar Brackets

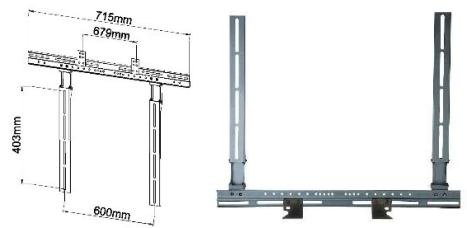
SSWB102B Adjustable Sound Bar Bracket

The **SureMount**® Universal Sound Bar Bracket connects to the back of the Television or TV wall brackets suitable for mounting rear attaching Sound bars above or below the TV. Using the wall mount mounting position on the TV makes this suitable for table top or wall mounted TV's.



SSBOTB Adjustable Sound Bar Bracket

The **SureMount**® Universal Sound Bar Bracket connects to the back of the Television or TV wall brackets suitable for mounting bottom fixed sound bars above or below the TV. Can also be used for table top or wall mounted TV's.

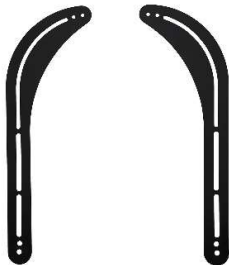


SSBW1B Sound Bar Wall Mounted - Bottom Mounted

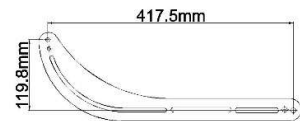
The **SureMount**® Universal Sound Bar Wall Mount is the ideal solution for attaching your bottom mounted soundbar to your wall above or below your TV.



SSB103B Universal Sound Bar Bracket



The **SureMount**® SSB103B Universal Sound Bar Bracket (aka The Hockey Stick) is easily adjustable to mount your Sound Bar below or above your Television. Fits almost any TV and sound bar. Easy Installation. All necessary hardware and installation instructions are included. Directly screw the mounting brackets to the TV and sound bar to avoid putting holes in your wall.



Soundbar Brackets

SSWLARCB SONOS ARC Wall Mount

The **SureMount** SONOS ARC Wall Mount is ideal for mounting your soundbar under (or above) your TV maximising your listening pleasure. The strong steel construction brackets attach to your wall and the soundbar just locks in place. Includes wall and soundbar fixings to get you up and running quickly. This mount is also suitable for other rear mounted soundbars.



SSWLBEAMB SONOS Beam Wall Mount

The **SureMount** SONOS Beam Wall Mount is ideal for mounting your soundbar under (or above) your TV maximising your listening pleasure. The strong steel construction attaches to your wall and the soundbar is screwed in place. Includes wall and soundbar fixings to get you up and running quickly.

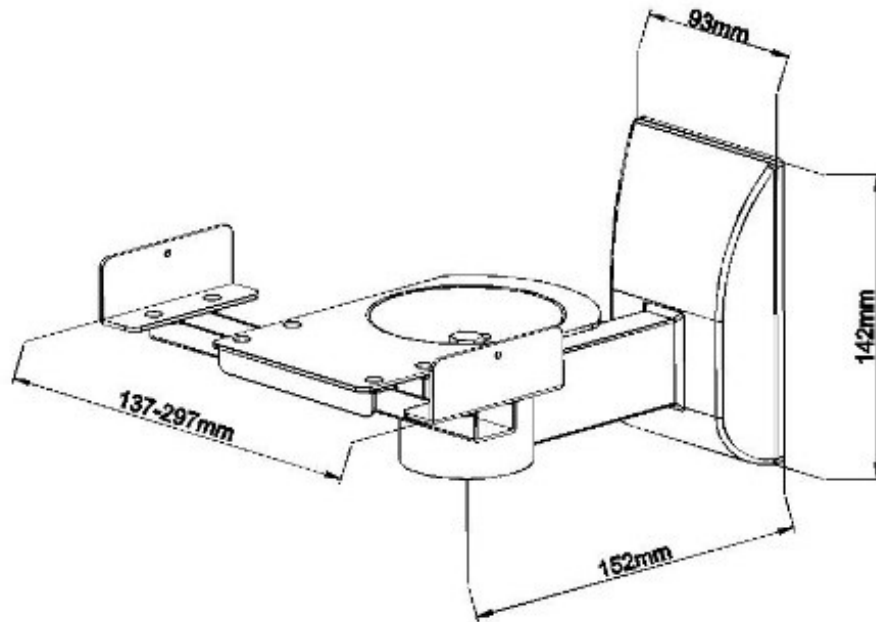


Speaker Brackets

SSWB201 Speaker Wall Bracket Fully Adjustable (sold in pairs)



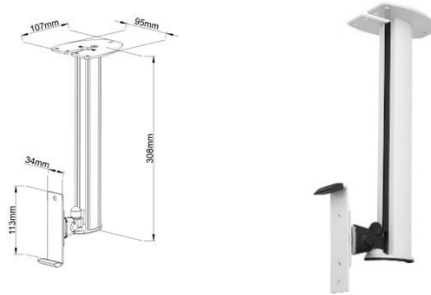
The **SureMount®** Speaker Wall Bracket is the perfect solution for securely mounting speakers off bookshelves or cabinets, freeing up space while optimizing sound positioning. Designed for corner mounting, it offers full adjustability with a 45° left and right swivel, ensuring precise placement for the best audio experience. The speaker adjustment tilt of $\pm 7.5^\circ$ makes achieving the ideal listening angle effortless. With clamping sides, it eliminates the need for screws in the speaker, maintaining sound integrity from both the front and back. Suitable for medium-sized speakers between 140–280mm wide and up to 250mm deep, it supports a maximum load of 25kg. Brackets are sold in pairs and are available in black or white, providing a sleek, versatile mounting solution.



SONOS Ceiling Speaker Mounts

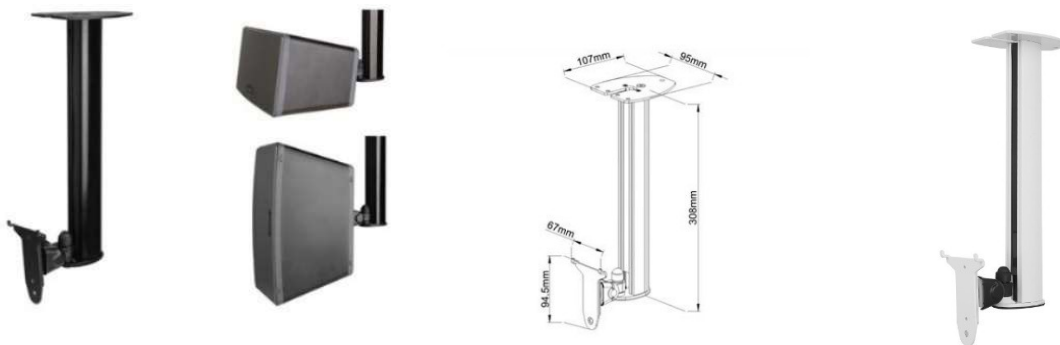
SSCL01 SONOS Play1 Ceiling Mount

The **SureMount**® SONOS Play3 ceiling mount is fully adjustable. It has -20degree - + 90degree tilt along with +/- 75degree swivel. Speaker can be rotated a full 360degrees. Sold as single units in white only.



SSCL03 SONOS Play3 Ceiling Mount

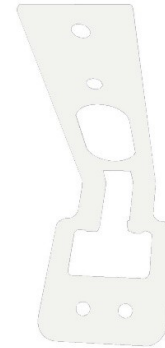
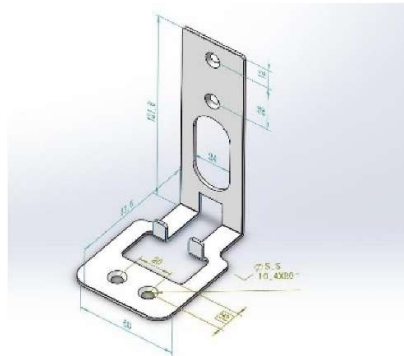
The **SureMount**® SONOS Play3 ceiling mount is fully adjustable. It has -20degree - + 90degree tilt along with +/- 75degree swivel. Speaker can be rotated a full 360degrees. Sold as single units and available in either black or white.



SONOS Wall Speaker Mounts

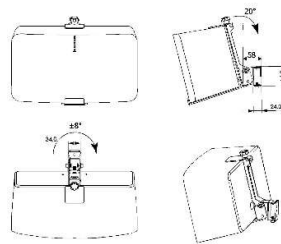
SSWLONE SONOS ONE and SONOS ONE SL Wall Mount

The **SureMount**® SONOS ONE and SONOS ONE SL speaker wall mount – is the ideal solution for mounting your SONOS ONE or SONOS ONE SL speakers to the wall. Comes with mounting screws. Sold as single units and available in either black or white.



SWL05 SONOS Play5 Wall Mount (Generation 2 Only)

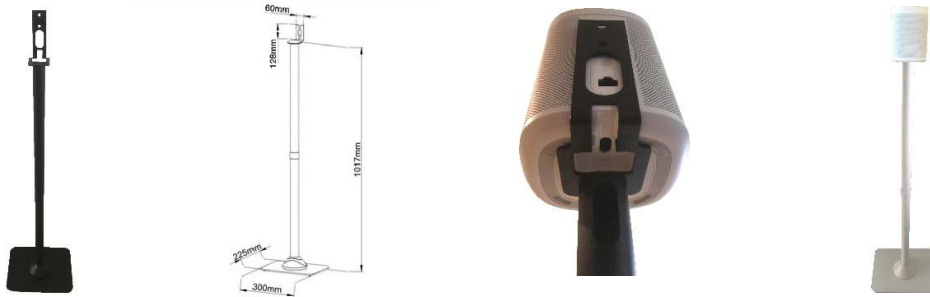
The **SureMount**® SONOS Play5 Wall (Gen 2) mount is fully adjustable for mounting the speaker in landscape configuration. It has -20° tilt and 8° left/right swivel. Sold as a single unit. Does not work with Generation 1 speakers.



SONOS Floor Stands

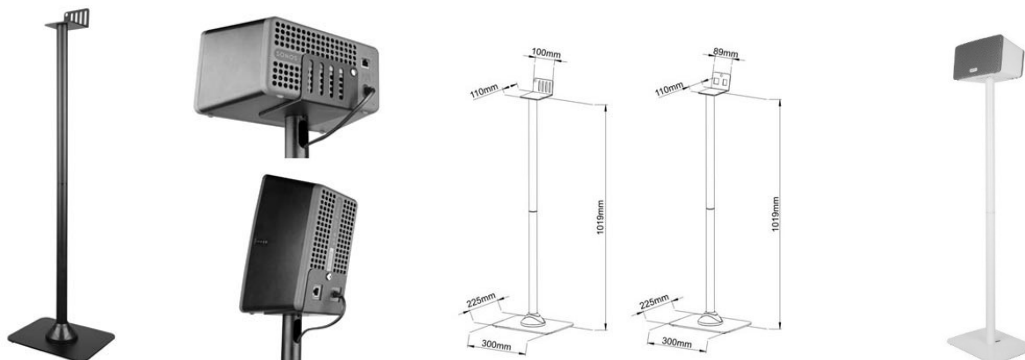
SSFLONE SONOS ONE and SONOS ONE SL Floor Stand

The **SureMount®** SONOS Play1 floor stand allows for the wiring to be run inside the pole keeping everything tidy. Stands are available in either black or white and are sold as single units



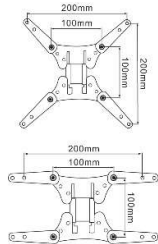
SFL03 SONOS Play3 Floor Stand

The **SureMount®** SONOS Play3 floor stand allows for the wiring to be run inside the pole keeping everything tidy. Stands are available in either black or white and are sold as single units.



Adaptors

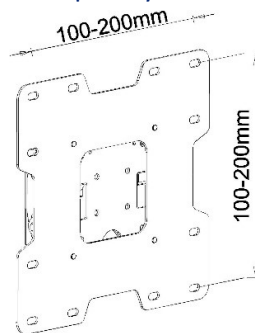
SADAPTOR1 – 100mm Adaptor Fingers



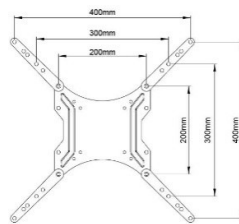
Adaptor fingers add 100 mm to your existing VESA bracket. Colour black.

SADAPTOR2 – VESA 200x200 Plate

The VESA 200x200 Plate is able to expand your VESA 100x100 mount up to 200x200mm.



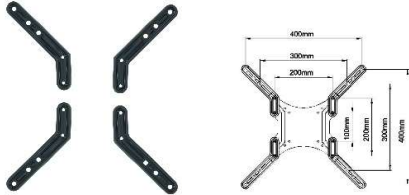
SADAPTOR3 – Large Adaptor Fingers



Large Adaptor fingers add 200 mm to your existing VESA bracket. Colour black.

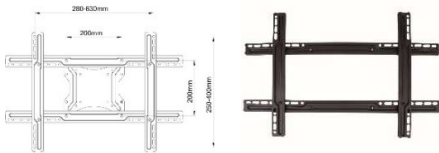
Adaptors

SADAPTOR6 – VESA Adaptor 400x400mm



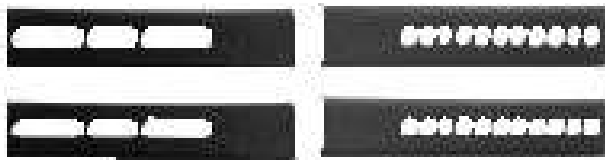
This set of 4 Brackets adds 100MM to each corner 200x200 plate like such as SCL02 and SCL200 becomes 400x400 VESA Pattern. Also useful for TV's with irregular mounting holes.

SADAPTOR7 – VESA Adaptor 600x400mm



This set of 4 pieces can expand a VESA 200x200 to 600x400

SADAPTOR8 – 300mm Vertical VESA Extn Arms



The **SureMount®** SADAPTOR8 VESA Vertical Height Extender increases the vertical height of your existing TV bracket by 300mm, providing additional flexibility for larger mounting configurations. This set of four

extension arms expands most existing TV mounting arms, allowing for a greater VESA compatibility range. Designed for seamless integration, the SADAPTOR8 ensures a secure, reliable extension to accommodate a wider range of TV sizes and mounting needs.

Suitable with SureMount:

- Fixed TV Mounts
- Tilting TV Mounts
- Slimline TV Mounts

SCREW PACK – Screw Pack

The SUREMOUNT screw packs contain screws and spacers suitable for the majority of screens on the market.

- 4x M4 13mm Spacers
- 4x M5/M6 5mm Spacers
- 4x M6/M8 20mm Spacers
- 4x M4 Washers
- 4x M6 Washers
- 4x M8 Washers
- 4x M4 12mm Bolts
- 4x M4 30mm Bolts
- 4x M6 20mm Bolts
- 4x M6 35mm Bolts
- 4x M8 20mm Bolts
- 4x M8 35mm Bolts
- 4x M8 45mm Bolts
- 6x Lag Bolt Washers
- 6x M7 65mm Lag Bolts
- 6x M10 55mm Concrete Anchors



Multi Screen Systems

SUREMOUNT Video Wall Systems

Exclusively Available in New Zealand

The SureMount® Video Wall System is a premium multiscreen display solution engineered for flexibility, strength, and style. Supporting screen layouts up to three screens high, this system is ideal for boardrooms, conference spaces, and meeting rooms where performance and presentation matter.

Constructed with robust, high-end materials and finished in a sleek black powder coat, the system delivers both durability and a sophisticated look. Designed with versatility in mind, it supports floor, wall, and ceiling installations, and is compatible with screen sizes from 24" to 98".

Whether you're building a commanding video wall for presentations or a dynamic display for corporate communication, the SureMount® Video Wall System provides the professional-grade reliability and aesthetics your space demands. Use our handy Video Wall Builder to work out the componentry that you will need for your multi-screen project.



TV Supports

- Fixed Supports: Used for single row systems where 3 or less screens are in a row.



SARFIX100: Small screen fixed mount where the VESA is 50x50, 75x75 or 100x100 and the weight is under 10kgs



SARFIX400: Small to Large screen fixed mount where the VESA is between 200x200 and 600x400. Maximum weight capacity is 120kgs. This will be less on ceiling and floor fixed systems

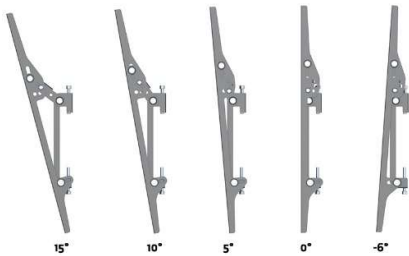


SARFIX600: Medium to Large screen fixed mount predominately used where screens are mounted in portrait and a larger vertical mounting hole pattern is required. Maximum VESA is 1000x600. Maximum weight capacity is 100kgs

- **Tilt Supports:** Used for single row systems where screens need to be tilted to improve viewing angles. Ideal in the hospitality industry for menu boards.



SARTILT100: Small screen tilt mount where the VESA is 50x50, 75x75 or 100x100 and the weight is under 10kgs. Variable tilt +/- 12°. Can be rotated from landscape to portrait. Perfect for small screen menu boards and IT departments.



SARTILT400: Small to Large screen tilt mount where the VESA is between 200x200 and 600x400. Maximum weight capacity is 100kgs. This will be less on ceiling and floor fixed systems. Five tilt positions from - 5° through to +15°.

Perfect for hospitality menu boards and IT departments.

- **Popout Supports:** These are used for wall mounted systems where access to cabling is restricted or where access to individual screens is required. The micro adjustment makes these perfect for use in multi row systems



SARTPOP400: Small to Large screen popout mount where the VESA is between 200x200 and 600x400. Maximum weight capacity is 30kgs. 10mm micro adjustment in height and depth makes lining up screens across multiple rows a breeze. The popout function makes accessing cables and/or screen maintenance a simple undertaking.

Aluminium Rails

The SureMount Video Wall Aluminium Rails are interchangeable and/or compatible with all the different lengths available. Used by themselves or in combination with other aluminium rails you can build a video wall to suit your needs making screen installation a breeze. Combined with plastic end caps giving a sleek and professional finish.



Wall Brackets



SARWALLBKT: The SureMount Video Wall Aluminium Rail Wall Bracket is the key component for holding your screens on the wall. Used to mount the Aluminium Rails to the wall together with the TV arms you can build a video wall to suit your needs. Aluminium rails can be extended to fit more screens, just add more wall brackets to distribute the weight evenly.

Floor Fixed

The SureMount Video Wall Floor Fixed components are designed to provide a secure foundation for your multi-screen setup when paired with the Aluminium Rails and TV Supports. This system allows for easy customization with aluminum rails and the pillar connecting plates, ensuring you can tailor the arrangement to fit your specific requirements. Its sturdy construction ensures stability, making it an ideal choice for any environment that demands a professional video wall solution.



Fixed Base: The SureMount Video Wall Floor Fixed Base (SARFIXBASE) is designed to provide a secure foundation for your multi-screen setup when paired with the Aluminium Pole (SARPOLE1800). This system allows for easy customization with aluminum rails and the pillar connecting plates, ensuring you can tailor the arrangement to fit your specific requirements.



1800mm Pole: The SureMount Video Wall Pillar is designed to fit seamlessly into the Floor Fixed Base (SARFIXBASE) to provide a secure foundation for your multi-screen system. This system allows for easy customization with aluminum rails and the pillar connecting plates, ensuring you can tailor the arrangement to fit your specific requirements. Its sturdy construction ensures stability, making it an ideal choice for any environment that demands a professional video wall solution.



Pillar Connector: The SureMount Video Wall Pillar Connecting Plate (SARPILCNTPLT) is height adjustable, allowing you to set the screens at the perfect viewing height. This feature enhances user experience by ensuring optimal visibility, making it an ideal choice for various settings, from presentations to public displays. Combined with the aluminum rails and [1800mm Aluminum Pole](#), you can easily customise the setup to suit your specific needs.



Cable Management: The SureMount (SARCABMGT) Video Wall Cable Management system is an excellent solution for maintaining a clean and organized setup for your multi-screen system. Its design seamlessly integrates with SureMount Video Wall Aluminium Rails, ensuring that cables are securely managed without hanging down. This keeps your installation looking tidy and professional, while also preventing potential tangling or damage to your cables.

Ceiling Hung

Ceiling-hung TV mounts provide a versatile and space-saving solution for securely suspending televisions in commercial, industrial, and residential settings. These mounts are designed for durability and adaptability, accommodating various ceiling structures such as trusses, I-beams, and both sloped or flat surfaces.



The SureMount SMCMPLT Video Wall Ceiling Plate is a versatile component for incorporating in a custom ceiling-mounted multi-screen system. Compatible with the SMCM80XL-EXT800 poles, it accommodates both flat and sloping ceilings. The adjustable design allows for 0° to 90° positioning, enabling installation on beams or walls. Plus, the sleek cover conceals the hardware, ensuring a polished appearance.



The SureMount SMCMIBEAM-S Video Wall Small I-Beam Plate is perfect for hanging medium/large sized screen's from a small I-Beam. Fully adjustable to accommodate I-Beams between 2 and 7" and designed to be incorporated with the SMCM80XL-EXT800 Poles.



The SureMount SARTRUSSCLMP Video Wall Truss Clamp is perfect for hanging one or more medium/large sized screen's from a horizontal bar. Designed to be incorporated with the SMCM80XL-EXT800 Poles, this clamp is suitable for use with 50mm diameter horizontal bars.



The SureMount SMCM80XL-EXT800 Pole allows you to select different drop heights by adding more lengths as required. The SMCMPOLEJNR pole joiner is used each time another 800mm pole is added.



The SureMount (SFCPOLECMP) Video Wall Pole Clamp is perfect for attaching the video wall aluminium rails to vertical poles 50mm in diameter. Used predominately with the SFC1B1 Floor To Ceiling Pole Mount and the SMCM80XL large tv ceiling mount. Just add the TV mounting arms to the aluminium rail and you have the start of your multi screen system.

