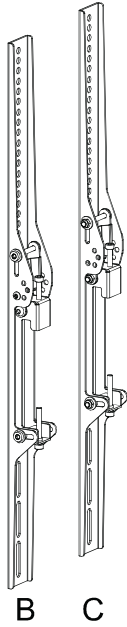
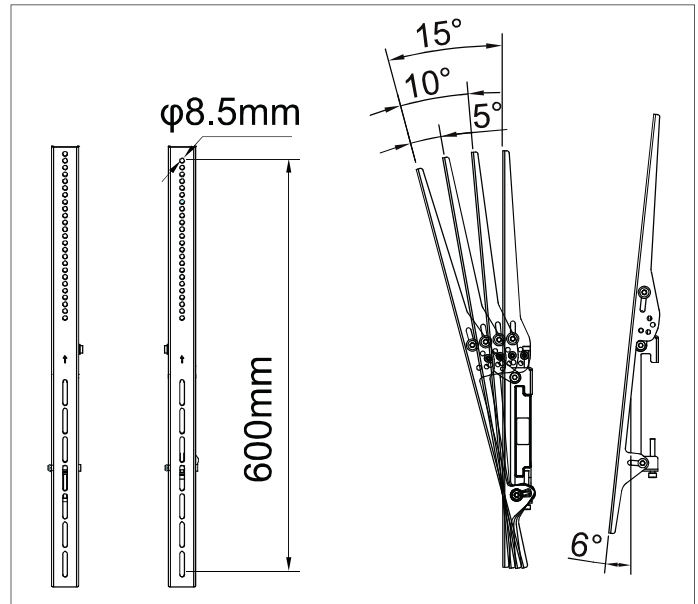


Technical Summary

SARTILT600-Tilt Arms(60cm)

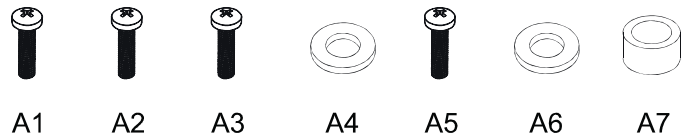


PRODUCT DIMENSIONS

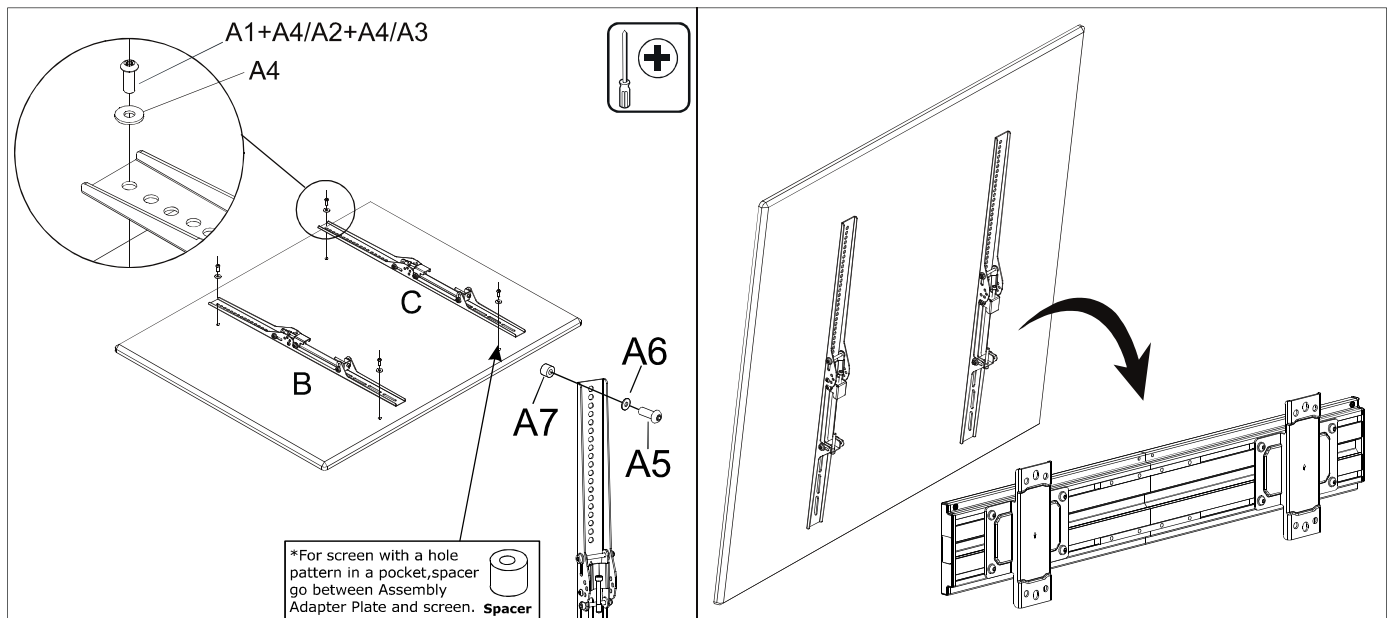


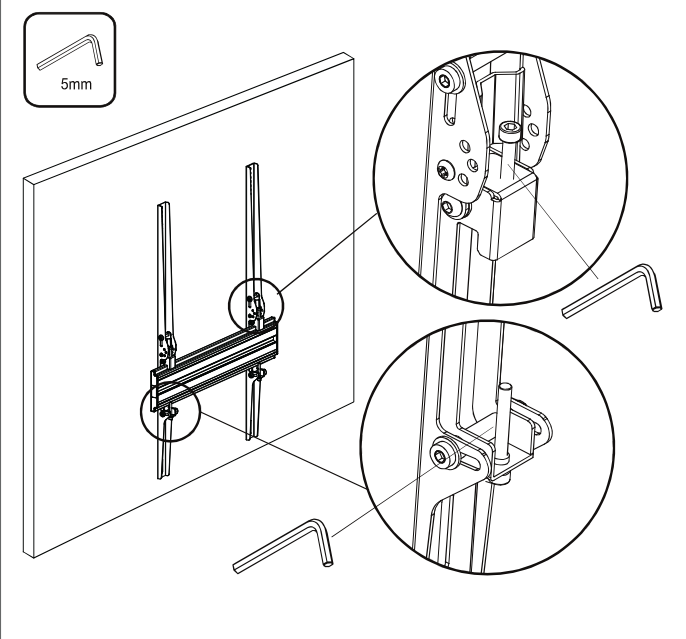
COMPONENT CHECKLIST

Item	Name	QTY
B	Tilt Bracket-Left	1
C	Tilt Bracket-Right	1
A1	M5X15 Screw	4
A2	M6X15 Screw	4
A3	M8X25 Screw	4
A4	Ø16x Ø6.2x1.5 Washer	4
A5	M8X45 Screw	4
A6	Ø16x Ø8.2x1.5 Washer	4
A7	Ø13x Ø8.2x13 Washer	4

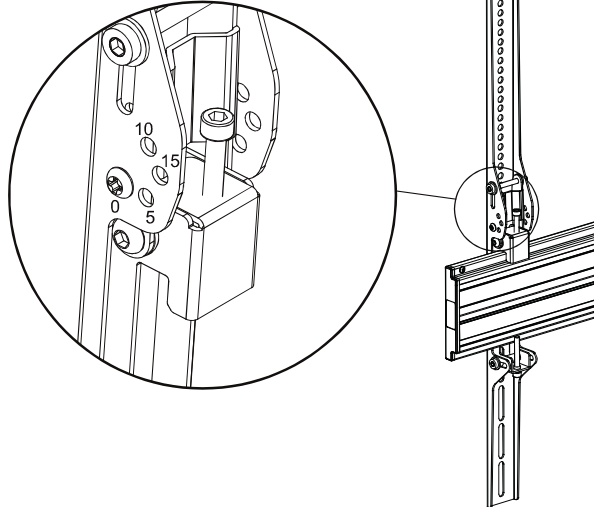


PRODUCT DIMENSIONS

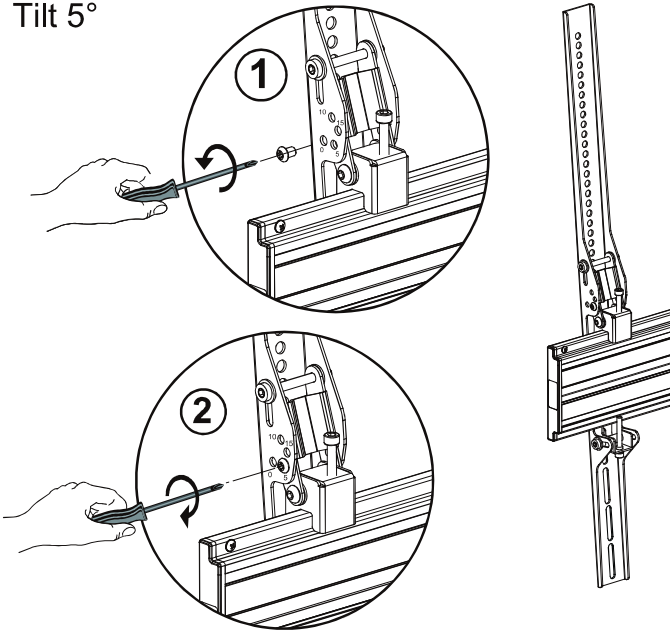




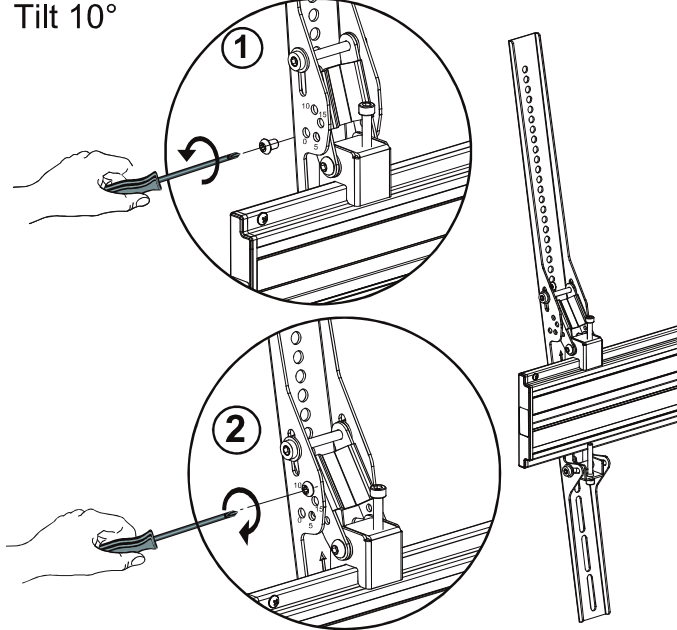
Tilt 0°



Tilt 5°



Tilt 10°



Tilt 15°

